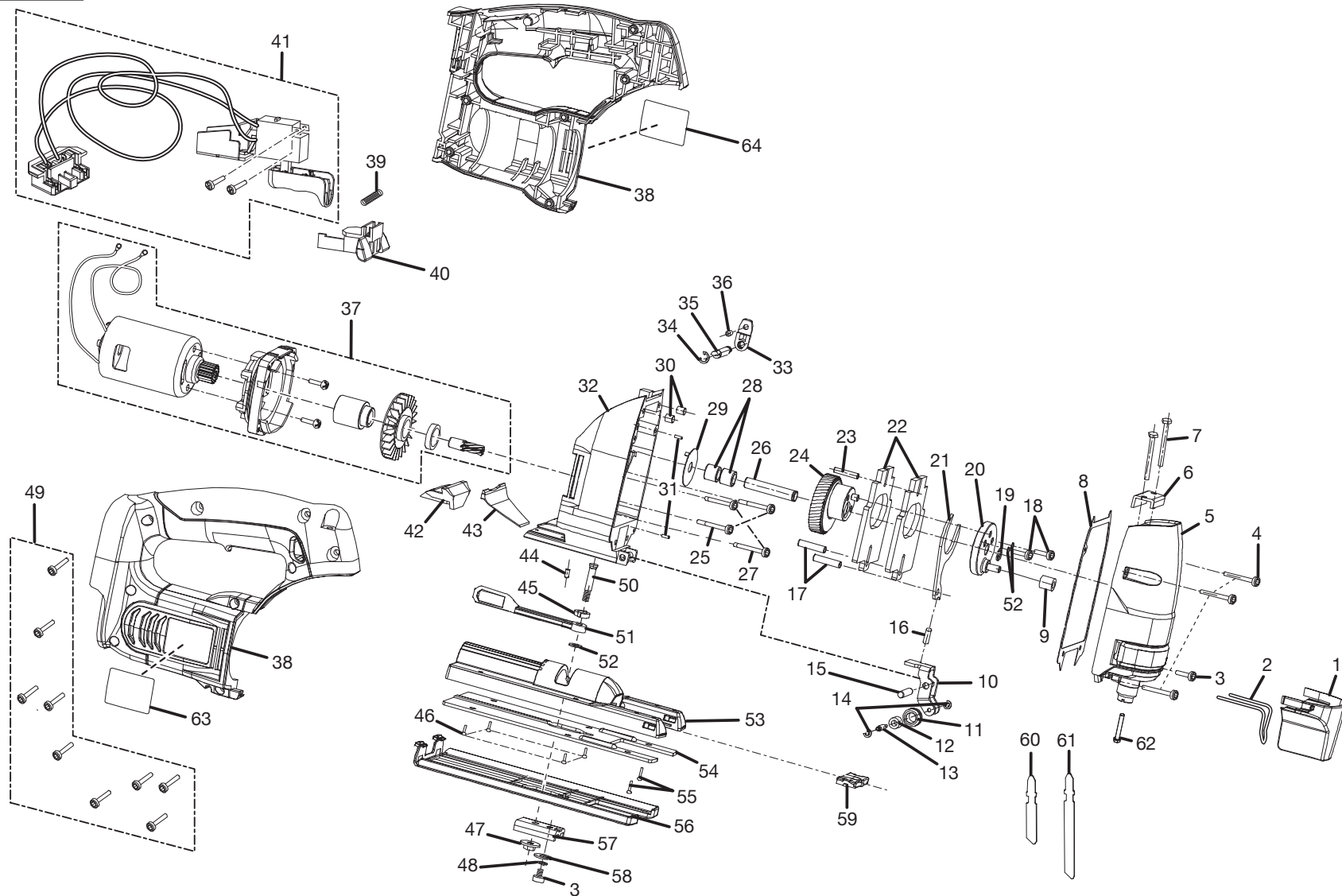


# RIDGID® R8433



- ⚠ WARNING:** The assembly shown represents an important part of the Double Insulated System. To avoid the possibility of alteration or damage to the System, service should be performed by your nearest authorized service center.
- ⚠ AVERTISSEMENT :** L'ensemble illustré représente une partie importante du système à isolation double. Afin d'éviter la possibilité de modification ou de dommage au système, la réparation ne doit être effectuée que par votre centre de réparation centre commercial autorisé.
- ⚠ ADVERTENCIA:** El conjunto que se ilustra representa una parte importante del Sistema de Aislamiento Doble. Para evitar la posibilidad de alteración o daño del sistema, la reparación debe ser efectuada en su centro de servicio autorizado.

KEY	P/N	DESCRIPTION	QTY	KEY	P/N	DESCRIPTION	QTY	KEY	P/N	DESCRIPTION	QTY
1	513408001	CHIP SHIELD.....	1	24	610638001	GEAR ASSEMBLY .....	1	46	660827001	SCREW (M4 x 10 mm).....	6
2	671775001	GUARD WIRE .....	1	25	660212033	SCREW (M4 x 25 mm x L. 10 mm).....	2	47	631083002	NUT (M5) .....	1
3	660212038	SCREW (M4 x 9 mm).....	1	26	T620332003	PIN (OD. 8 x L. 42 mm).....	1	48	6703001	SPRING WASHER .....	3
4	660212037	SCREW (M4 x 18 mm).....	3	27	660212030	SCREW (M4 x 25 mm x L. 5 mm).....	2	49	660024044	SCREW (M4 x 16 mm).....	9
5	220026002	GEAR BOX COVER ASSEMBLY.....	1	28	6892802	NEEDLE BEARING .....	2	50	672153001	BOLT (M6 x 31 mm).....	1
6	631267002	HOUSING BLOCK.....	1	29	671771001	WASHER.....	1	51	301010005	SHOE ADJUSTMENT ASSEMBLY .....	1
7	660212029	SCREW (M4 x 52 mm).....	2	30	560712002	BUMPER.....	2	52	672164001	WASHER (OD. 15 x L. 6.2 mm) .....	1
8	901115001	GASKET.....	1	31	671892001	PIN (OD. 2.5 x L. 6 mm).....	2	53	640965001	SHOE (BASE).....	1
9	671441002	NEEDLE BEARING .....	1	32	640964003	GEAR BOX.....	1	54	631413001	SHOE COVER (NO MAR PLATE).....	1
10	631437001	BLADE GUIDE HOLDER.....	1	33	513412002	ORBITAL ADJUSTMENT KNOB .....	1	55	660213012	SCREW (M4 x 13 mm).....	2
11	671818001	BLADE GUIDE .....	1	34	671997001	E-RING .....	1	56	513410001	PLATE CLAMP .....	1
12	681009001	NEEDLE BEARING .....	1	35	671817001	ORBITAL ADJUSTMENT ROD.....	1	57	631438002	BASE CLAMP .....	1
13	671819001	PIN (OD. 4 x L. 14 mm).....	1	36	301146002	SPRING PLUNGER ASSEMBLY.....	1	58	672059002	WASHER.....	1
14	671319001	E-RING .....	2	37	230120002	MOTOR ASSEMBLY.....	1	59	513409001	ANTI-SPLINTERING INSERT.....	1
15	671820001	PIN (OD. 5 x L. 24 mm).....	1	38	200476001	HOUSING ASSEMBLY (INC. KEY NOS. 63 AND 64) .....	1	60	690227040	BLADE (METAL).....	1
16	671824001	PIN (OD. 5 x L. 9.6 mm).....	1	39	6799802	SPRING .....	1	61	690227041	BLADE (WOOD).....	1
17	671598001	PIN (OD. 5 x L. 22 mm).....	2	40	512541001	LOCK-OFF BUTTON .....	1	62	660837001	SCREW (M3 x 22.5 mm).....	1
18	661214001	SCREW (M4 x 12 mm).....	2	41	270018137	SWITCH ASSEMBLY .....	1	63	940670010	DATA LABEL .....	1
19	6881401	E-RING .....	1	42	641007001	CLAMPING CLAW .....	1	64	940213039	LOGO LABEL.....	1
20	671770001	PLATE .....	1	43	513664001	AIRFLOW GUIDE PLATE .....	1	<b>NOT SHOWN:</b>			
21	671769001	DRIVE PLATE.....	1	44	671892001	PIN (OD. 2.5 x L. 6 mm).....	1	65	140276001, 140276002, 140276003 or 140276004	18V NI-CD CHARGER.....	1
22	672140001	BALANCING PLATE.....	2	45	641141002	FIX WEDGE.....	1	66	130254011 or 130254003	18V NI-CD BATTERY PACK .....	1
23	671436002	PIN (OD. 4 x L. 20 mm).....	1					67	987000014 10-31-11 (REV:07)	OPERATOR'S MANUAL (960931044) .....	1