

**RIDGID
R7135 MUD MIXER
REPAIR SHEET**

**RIDGID
R7135 MÉLANGEUR DE BOUE
FEUILLE DE RÉPARATION**

**RIDGID
R7135 MEZCLADORA DE LODO
LISTAS DE PIEZAS DE REPUESTO**

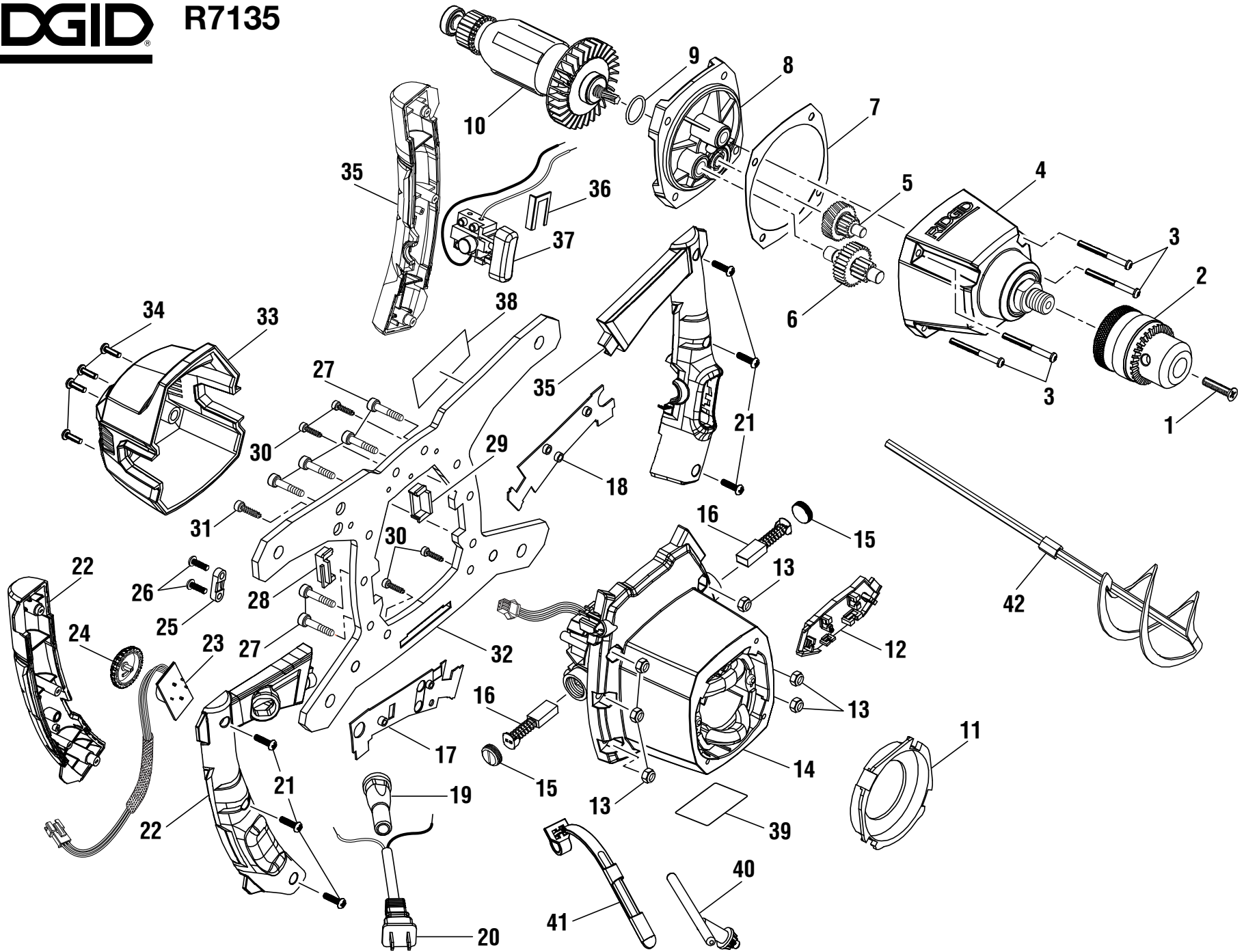
ONE WORLD TECHNOLOGIES, INC.

P.O. Box 1427

Anderson, SC 29622, USA

1-866-539-1710 ■ www.RIDGID.com

RIDGID is a registered trademark of RIDGID, Inc., used under license.





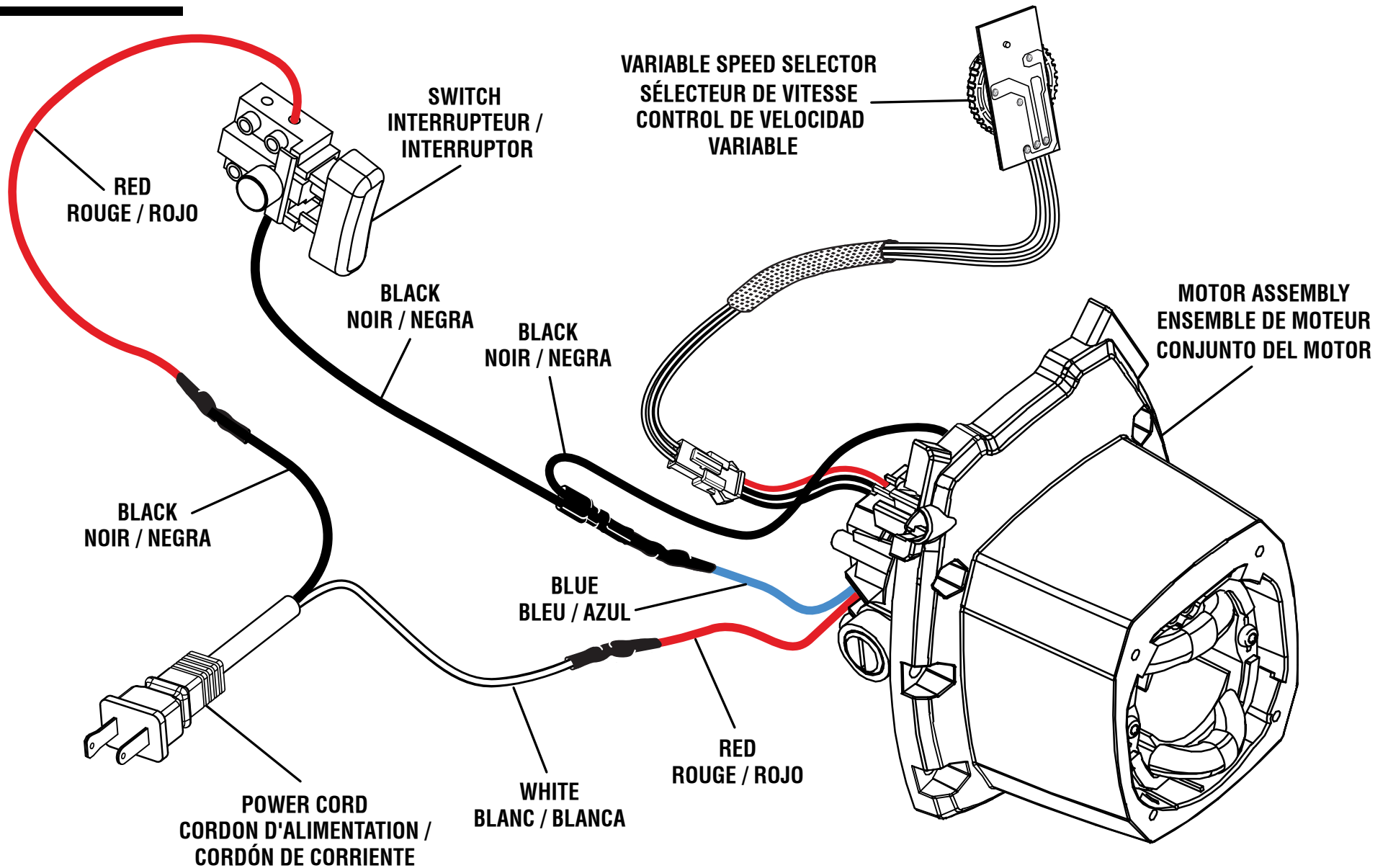
R7135 Mud Mixer

KEY	P/N	DESCRIPTION	QTY	KEY	P/N	DESCRIPTION	QTY
1	039850001001	Screw (M6 x 25 mm, L.H.)	1	24	039848001063	Variable Speed Selector.....	1
2	039850001002	Chuck (5/8 in.).....	1	25	039848001065	Cord Clamp.....	1
3	039850001013	Screw (M5 x 35 mm, Torx Pan Hd.)	4	26	039850001048	Screw (M4 x 14 mm, Pan Hd.).....	2
4	039850001101	Output Shaft and Lower Gear Case Assembly.....	1	27	039850001044	Screw (M6 x 18 mm, Hex Hd.).....	6
5	039850001102	Gear Train Shaft Assembly (A)	1	28	039850001046	Chassis Left Insert	1
6	039850001104	Gear Train Shaft Assembly (B)	1	29	039850001045	Chassis Right Insert.....	1
7	039850001021	Paper Gasket	1	30	039850001059	Screw (M4 x 16 mm, Hex Hd.).....	4
8	039850001103	Upper Gear Case Assembly w/Bearings	1	31	039850001052	Screw (M5 x 16 mm, Hex Hd.).....	1
9	039850001023	O-Ring.....	1	32	039850001042	Metal Plate	1
10	039850001105	Armature Assembly.....	1	33	039850001055	Motor End Cap.....	1
11	039850001029	Baffle	1	34	039850001056	Screw (M4 x 18 mm, Torx Pan Hd.)	4
12	039850001034	Insulation Plate.....	1	35	039850001108	Right Handle Assembly.....	1
13	039850001033	Lock Nut.....	6	36	039848001067	Switch Plate	1
14	039850001106	Motor Housing w/Field Assembly	1	37	039850001109	Switch Assembly.....	1
15	039848001069	Brush Cap	2	38	941488244	Warning Icon Label	1
16	039850001058	Brush Assembly	2	39	941001644	Data Label.....	1
17	039850001041	Insulator (Left)	4	40	039850001035	Chuck Key (5/8 in.).....	1
18	039850001040	Insulator (Right).....	1	41	039850001037	Chuck Key Holder.....	1
19	039848001091	Bend Relief.....	1	42	039850001057	Mixing Paddle	1
20	039850001036	Power Cord	1		Not Shown:		
21	039850001038	Screw (M4 x 16 mm, Torx Pan Hd.)	6		995000196	Operator's Manual (961001522)	
22	039850001107	Left Handle Assembly	1		11-9-17		
23	039850001049	Variable Speed Circuit Board Assembly	1		(Rev:01)		

WARNING: The assembly shown represents an important part of the Double Insulated System. To avoid the possibility of alteration or damage to the System, service should be performed by your nearest authorized service center.

RIDGID

R7135



WIRING DIAGRAM
SCHÉMA DE CÂBLAGE / DIAGRAMA DE CABLEADO