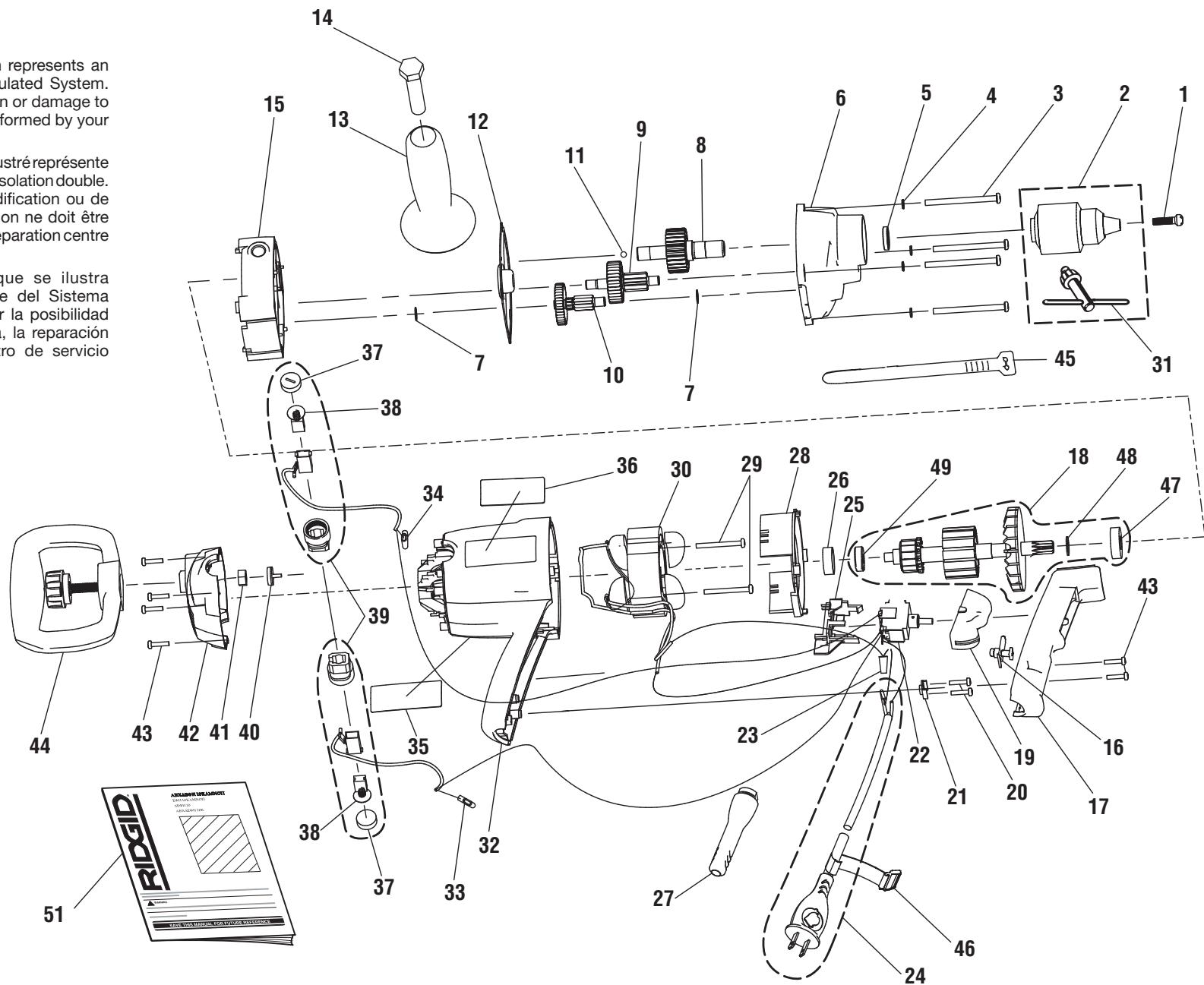


RIDGID® R7121

▲ **WARNING:** The assembly shown represents an important part of the Double Insulated System. To avoid the possibility of alteration or damage to the System, service should be performed by your nearest authorized service center.

▲ **AVERTISSEMENT:** L'ensemble illustré représente une partie importante du système à isolation double. Afin d'éviter la possibilité de modification ou de dommage au système, la réparation ne doit être effectuée que par votre centre de réparation commerciale autorisé.

▲ **ADVERTENCIA:** El conjunto que se ilustra representa una parte importante del Sistema de Aislamiento Doble. Para evitar la posibilidad de alteración o daño del sistema, la reparación debe ser efectuada en su centro de servicio autorizado.





R7121 Spade Handle Drill

KEY	P/N	DESCRIPTION	QTY	KEY	P/N	DESCRIPTION	QTY	KEY	P/N	DESCRIPTION	QTY
1	6613402	Screw (Special).....	1	19	590975002	Trigger.....	1	37	511534002	Brush Cap	2
2	985011001	Chuck & Chuck Key Assembly.....	1	20	660182008	Screw (#6 x 12 mm Pan Hd.).....	2	38	290255001	Brush w/Spring.....	2
3	660299003	Screw (M5 X 65 mm Torx Pan Hd.)	4	21	6933702	Cord Clamp.....	1	39	200189003	Brush Assembly	1
4	670960004	Spring Washer (M5).....	4	22	760330001	Switch.....	1	40	590984001	Hex Nut Cover.....	1
5	680323002	Spacer	1	23	870126001	Wire Nut.....	1	41	690551001	Hex Nut (M8 x 6.5 mm)	1
6	300114016	Output Gear Housing Assembly.....	1	24	290086012	Power Cord	1	42	590983002	Housing Rear Cover	1
7	670037003	Washer	2	25	590977002	Switch Seat	1	43	660054002	Screw (M3.5 x 16 mm Torx Pan Hd.).....	6
8	300003055	Output Gear & Spindle Assembly	1	26	560881002	Bearing Seat.....	1	44	300067473	Rear Handle Assembly.....	1
9	300460005	Gear & Spindle Assembly (#3).....	1	27	560963001	Bend Relief.....	1	45	560989001	Chuck Key Strap	1
10	300460006	Gear & Spindle Assembly (#2).....	1	28	590974002	Baffle	1	46	300904001	Cord Wrap	1
11	6721901	Ball (5 mm)	1	29	660259011	Screw (M4 x 41 mm Pan Hd.)	2	47	690191002	Ball Bearing (6001-DDU)	1
12	900860001	Gasket	1	30	741217001	* Field Assembly (HH Motor)	1	48	690396001	C-Ring	1
13	590986001	Side Handle.....	1	31	680883005	Chuck Key.....	1	49	681141002	Ball Bearing (608ZZ).....	1
14	661265001	Bolt (1/2-13 x 56 mm Hex Hd.)	1	32	590978003	Motor Housing.....	1	50	200216043	** Motor Assembly (Inc. Key Nos. 18 and 30) (HH motor) (Not Shown).....	1
15	300926003	Bearing Plate Assembly	1	33	290061044	Lead w/Terminal	1				
16	300997002	Lock-on Button	1	34	290116022	Lead Assembly.....	1	51	983000954	Operator's Manual.....	1
17	400979002	Motor Housing Handle Cover.....	1	35	940304019	Logo Label.....	1		11-8-10 (REV:07)		
18	200216042	* Armature Assembly (Incl. Key Nos. 47-49) (HH Motor)	1	36	940115120	Data Label	1				

* To be used after date code CS0846 only

** To be used for motor replacement prior to date code CS0846