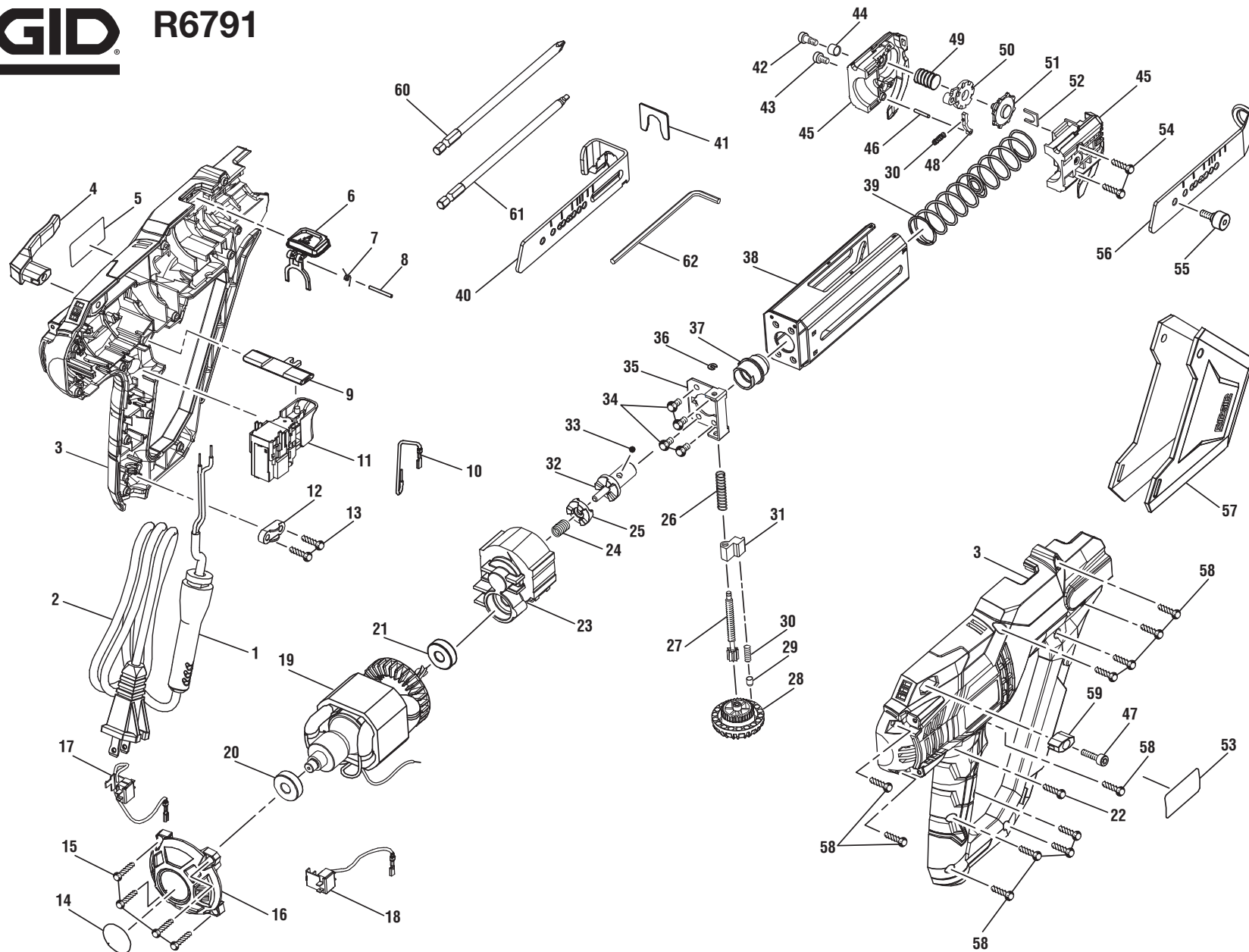


RIDGID® R6791



▲ **WARNING:** The assembly shown represents an important part of the Double Insulated System. To avoid the possibility of alteration or damage to the System, service should be performed by your nearest authorized service center.

▲ **AVERTISSEMENT :** L'ensemble illustré représente une partie importante du système à isolation double. Afin d'éviter la possibilité de modification ou de dommage au système, la réparation ne doit être effectuée que par votre centre de réparation commerciale autorisé.

▲ **ADVERTENCIA:** El conjunto que se ilustra representa una parte importante del Sistema de Aislamiento Doble. Para evitar la posibilidad de alteración o daño del sistema, la reparación debe ser efectuada en su centro de servicio autorizado.

RIDGID® R6791

KEY	P/N	DESCRIPTION	QTY	KEY	P/N	DESCRIPTION	QTY	KEY	P/N	DESCRIPTION	QTY
1	560968005	Bend Relief.....	1	23	220166001	Gear Box Assembly.....	1	46	673004001	Pin	1
2	730387037	Power Cord	1	24	692730001	Clutch Spring.....	1	47	660169035	Screw (8-32 x 19 mm, Hex Hd.)	1
3	201714001	Housing Assembly.....	1	25	641704001	Clutch	1	48	611295001	Pawl.....	1
4	591136001	Reversible Belt Clip	1	26	680464002	Compression Spring.....	1	49	680347002	Compression Spring.....	1
5	940114161	Logo Label.....	1	27	201752001	Adjustment Shaft Assembly	1	50	611362001	Pawl Feed.....	1
6	201751001	Slide Button Assembly	1	28	591115001	Depth Adjustment Wheel	1	51	611294001	Feed Sprocket.....	1
7	692749001	Torsion Spring	1	29	690541001	Cap	1	52	630708001	Bit Guide (1.5 mm).....	1
8	671950001	Pin (M2 x 22 mm)	1	30	692779001	Compression Spring.....	2	53	940488247	Data Label	1
9	591138001	Forward/Reverse Switch	1	31	611297001	Tensioner Bracket.....	1	54	660031012	Screw (M3.5 x 4 mm, Pan Hd.)	2
10	290102013	Lead w/Terminal	1	32	641751001	Output Shaft (Clutch).....	1	55	661458001	Screw (8-32 x 1/2 in., Pan Hd.)	1
11	760339004	Switch.....	1	33	6722001	Ball (4 mm).....	1	56	690812006	Adjustable Nose Piece (Drywall).....	1
12	5950101	Cord Clamp	1	34	660414007	Screw (M4 x 6 mm, Pan Hd.)	4	57	591128001	Screw Guard.....	1
13	6620801	Screw (M4 x 12 mm, Pan Hd.)	2	35	633721001	Frame Bushing Slide	1	58	660054002	Screw (M3.5 x 16 mm, T15 Tox Pan Hd.).....	11
14	940114333	End Cap Label.....	1	36	670074001	E-Ring.....	1	59	591137001	Belt Clip Block.....	1
15	660570004	Screw (M3 x 14 mm)	4	37	611293001	Slide Bushing	1	60	670800099	Bit (#2 Phillips Head)	1
16	591140001	End Cap.....	1	38	633522001	Feed Housing (3 in.)	1	61	670806050	Bit (R2 Square Head).....	1
17	290478002	Yellow Brush Assembly	1	39	692731001	Sprocket Return Spring.....	1	62	680558001	Hex Key (9/64 in.)	1
18	290036002	Red Brush Assembly	1	40	690811008	Adjustable Nose Piece (Wood).....	1	NOT SHOWN:			
19	201892001	Motor Assembly (Inc. Key Nos. 20-21).....	1	41	900669003	Nosepiece Pad (3M).....	1	901147003	Tool Bag	1	
20	680141018	Ball Bearing (608ZZ).....	1	42	661463001	Screw (8-32 x 3/8 in.)	1	988000556	Operator's Manual		
21	671498001	Ball Bearing (6082RS\CW)	1	43	660169047	Screw (8-32 x 3/16 in., Hex Hd.)	1	7-13-11			
22	660570004	Screw (M3 x 14 mm, Torx Pan Hd.).....	1	44	680343002	Collar	1	(REV:02)			
				45	201893001	Sprocket Housing Assembly	1				