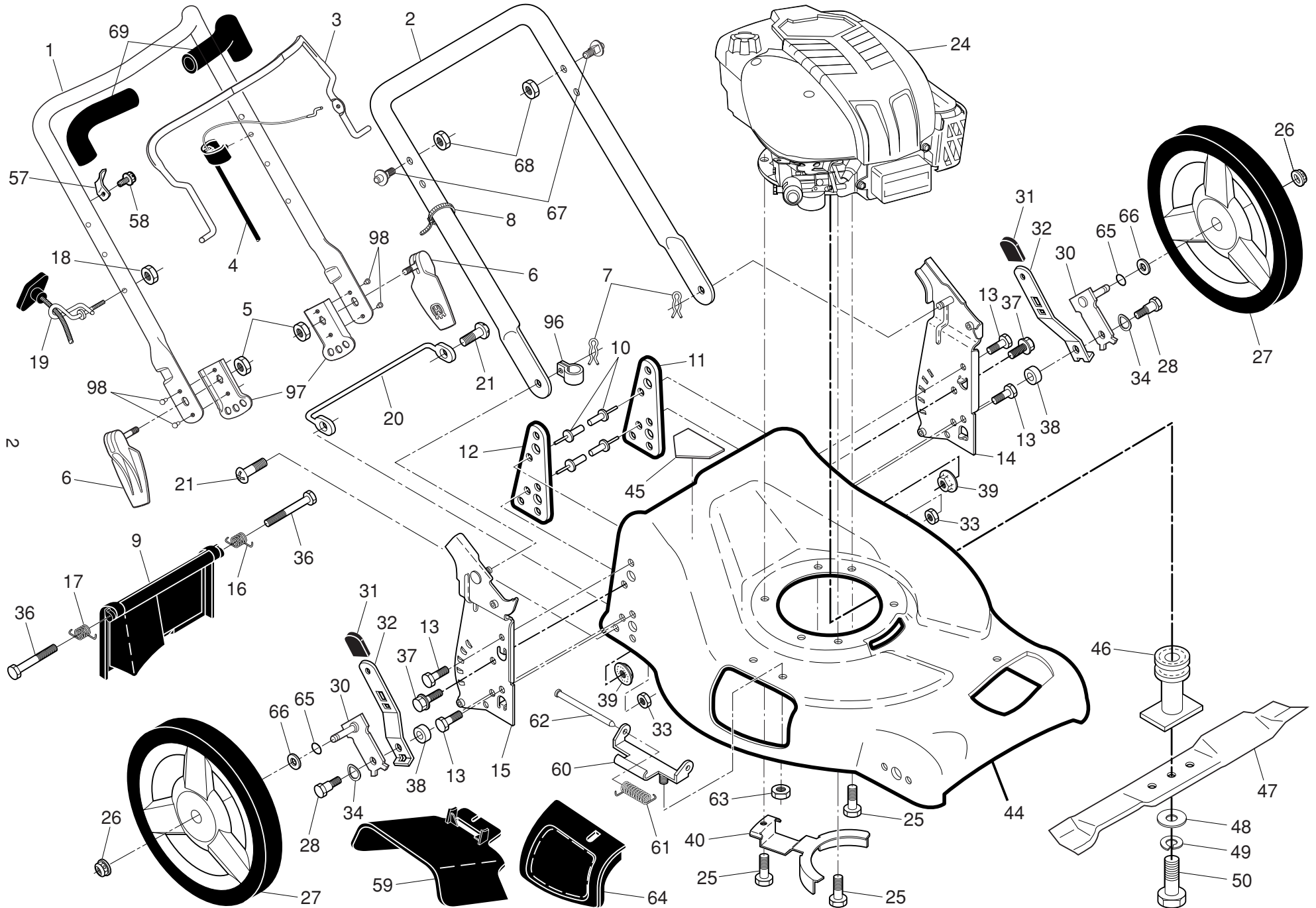


**ROTARY LAWN MOWER - - MODEL NUMBER R 53SV L (96141019202) PRODUCT NUMBER 961 41 01-92**

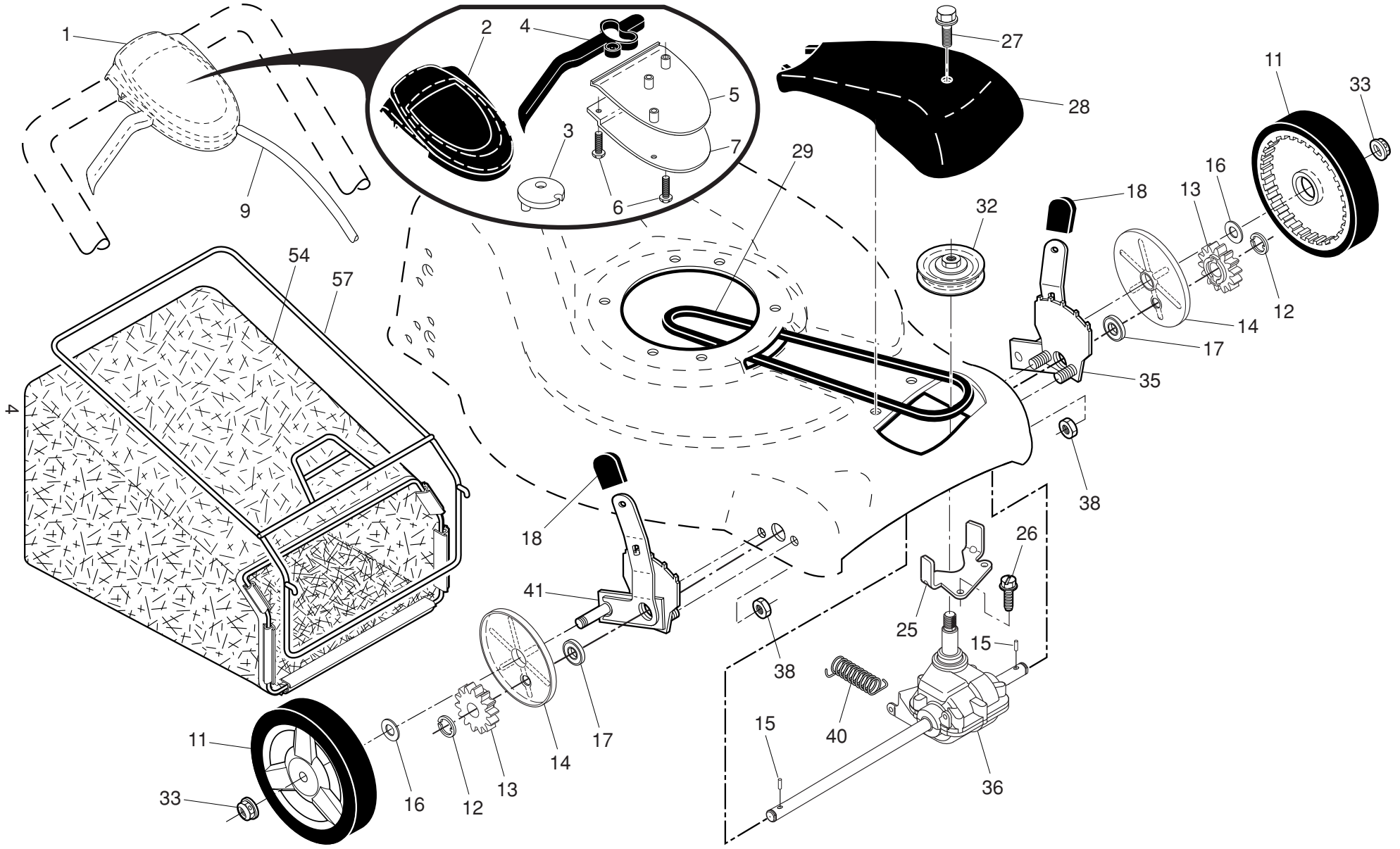


# ROTARY LAWN MOWER - - MODEL NUMBER R 53SV L (96141019202) PRODUCT NUMBER 961 41 01-92

KEY NO.	PART NO.	DESCRIPTION	KEY NO.	PART NO.	DESCRIPTION
1	532 42 05-77	Upper Handle (Includes Foam Grip)	37	874 78 05-12	Thread Cutting Screw w/Sems 5/16-18 x 3/4
2	532 42 04-91	Lower Handle	38	532 40 16-29	Spacer
3	532 42 68-12	Control Bar	39	532 15 53-77	Nut, Hex, Flanged 5/16-18
4	532 41 53-50	Engine Zone Control Cable	40	532 42 57-11	Belt Keeper
5	532 19 17-30	Locknut, Hex 1/4-20	44	532 40 80-16	Lawn Mower Housing (Includes Key Numbers 10, 11, 12 and 45)
6	532 41 66-68	Handle Knob Assembly, Quick-Release	45	532 18 21-66	Danger Decal
7	532 05 17-93	Hairpin Cotter	46	532 19 77-52	Blade Adapter / Pulley
8	532 06 64-26	Wire Tie	47	532 19 93-77	Blade 21"
9	532 40 69-85	Rear Door Assembly	48	532 85 10-74	Hardened Washer
10	532 12 84-15	Pop Rivet	49	532 85 02-63	Helical Washer 3/8-24 x 1-3/8 Grade 8
11	532 41 05-40	Support Bracket, LH	50	532 85 10-84	Hex Head Machine Screw 3/8-24 x 1-3/8 Grade 8
12	532 41 05-42	Support Bracket, RH	57	532 12 52-03	Upstop Bracket
13	817 06 04-10	Screw 1/4-20 x 5/8	58	532 75 06-34	Screw
14	532 41 78-12	Handle Bracket Assembly, LH	59	532 18 55-82	Discharge Deflector
15	532 41 78-11	Handle Bracket Assembly, RH	60	532 17 57-35	Hinge Bracket Assembly
16	532 40 54-17	Spring, Rear Door, LH	61	532 19 30-00	Spring, Hinge
17	532 40 54-18	Spring, Rear Door, RH	62	532 17 56-50	Rod, Hinge
18	532 13 20-04	Locknut, Hex 1/4-20	63	873 80 04-00	Locknut, Hex 1/4-20
19	532 19 47-88	Rope Guide	64	532 18 55-76	Mulcher Door
20	532 41 35-43	Foot Guard, C.E.	65	532 19 74-80	O-Ring
21	817 49 04-16	Screw, Self-Tapping, Hex Head 1/4-20 x 1/2	66	532 08 83-48	Washer, Flat
24	- - -	Engine, Briggs & Stratton, Model Number 12S502-1088-B1 (order parts from engine manufacturer)	67	532 19 92-55	Stud
25	532 15 04-06	Hex Head Thread Rolling Screw 3/8-16 x 1-1/8	68	532 75 11-53	Nut, Hex 1/4-20
26	532 40 91-49	Hex Flange Nut	69	532 18 27-48	Grip, Foam
27	532 41 08-15	Wheel & Tire Assembly, Rear, 12"	96	532 19 79-91	Clip, Cable
28	532 40 16-38	Shoulder Bolt 5/16-18 x .33	97	532 41 35-34	Bracket, Quick-Release
30	532 41 31-41	Axle Arm Assembly, Rear	98	532 19 96-97	Rivet
31	532 70 10-37	Selector Knob	--	532 18 21-91	Decal, Warning (not shown)
32	532 40 98-89	Selector Spring	--	532 41 90-95	Operator's Manual, European
33	873 80 05-00	Nut, Hex 5/16-18	--	532 41 90-98	Operator's Manual, Scandinavian
34	532 40 16-30	Washer, Curved, Cylindrical	--	532 41 90-96	Operator's Manual, East Bloc
36	532 18 41-93	Bolt	--	532 41 90-97	Operator's Manual, Baltic

**NOTE:** All component dimensions given in U.S. inches. 1 inch = 25.4 mm. **IMPORTANT:** Use only Original Equipment Manufacturer (O.E.M.) replacement parts. Failure to do so could be hazardous, damage your lawn mower and void your warranty.

# ROTARY LAWN MOWER - - MODEL NUMBER R 53SV L (96141019202) PRODUCT NUMBER 961 41 01-92



# ROTARY LAWN MOWER - - MODEL NUMBER R 53SV L (96141019202) PRODUCT NUMBER 961 41 01-92

KEY NO.	PART NO.	DESCRIPTION	KEY NO.	PART NO.	DESCRIPTION
1	532 42 56-61	Drive Control Assembly	25	532 41 16-63	Belt Keeper
2	532 41 16-73	Cover, Drive Control, Upper	26	532 16 34-09	Screw, Hi-Lo Thread #12 x 5/8
3	532 40 62-62	Pulley	27	532 17 52-62	Pan Head Tapping Screw #10-24 x 2-3/4
4	532 19 00-37	Lever, Drive Control	28	532 18 55-79	Cover, Drive
5	532 41 16-64	Cover, Drive Control, Lower	29	532 19 41-49	V-Belt
6	532 18 16-98	Screw	32	532 19 40-18	Pulley, Drive
7	532 40 07-23	Mounting Bracket, Drive Control	33	532 40 91-48	Locknut, Hex
9	532 40 62-59	Cable, Drive Control	35	532 42 42-01	Kit, Wheel Adjuster, LH (Includes Knob and Bearing)
11	532 41 10-81	Wheel & Tire Assembly	36	532 40 48-33	Gear Case Assembly, Complete
12	812 00 00-58	E-Ring	38	873 80 04-00	Locknut 1/4-20
13	532 40 38-49	Pinion	40	532 40 65-58	Spring
14	532 18 94-03	Dust Cover	41	532 42 42-00	Kit, Wheel Adjuster, RH (Includes Knob and Bearing)
15	532 40 48-45	Pawl, Drive	54	532 40 19-03	Grassbag Assembly
16	532 06 77-25	Washer 1/2 x 1-1/2 x .134	57	532 41 19-50	Frame, Grassbag
17	532 19 10-39	Bearing, Wheel Adjuster			
18	532 70 10-37	Selector Knob			

**NOTE:** All component dimensions given in U.S. inches. 1 inch = 25.4 mm. **IMPORTANT:** Use only Original Equipment Manufacturer (O.E.M.) replacement parts. Failure to do so could be hazardous, damage your lawn mower and void your warranty.