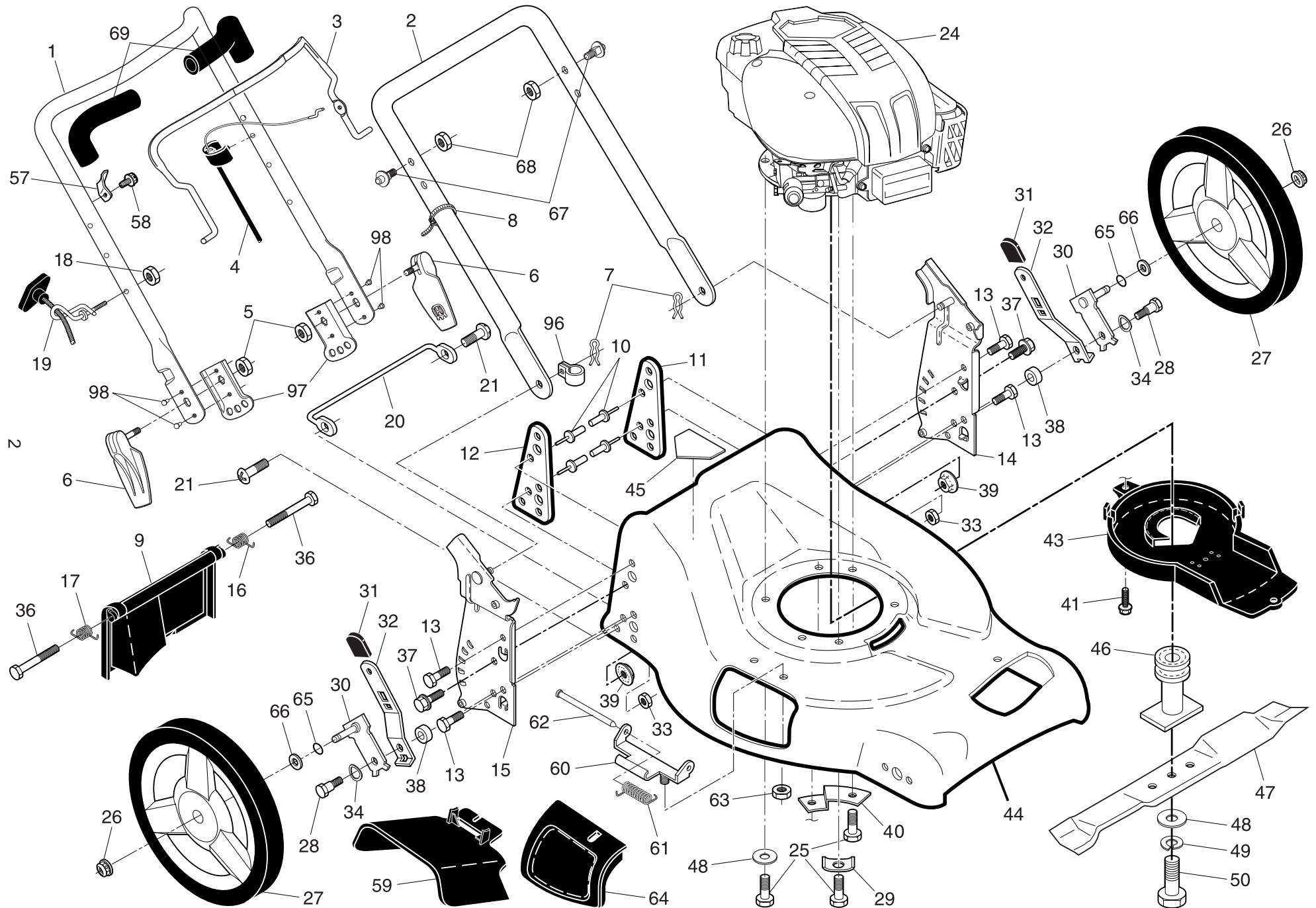


# ROTARY LAWN MOWER - - MODEL NUMBER R53SV L (96141019201) PRODUCT NUMBER 961 41 01-92

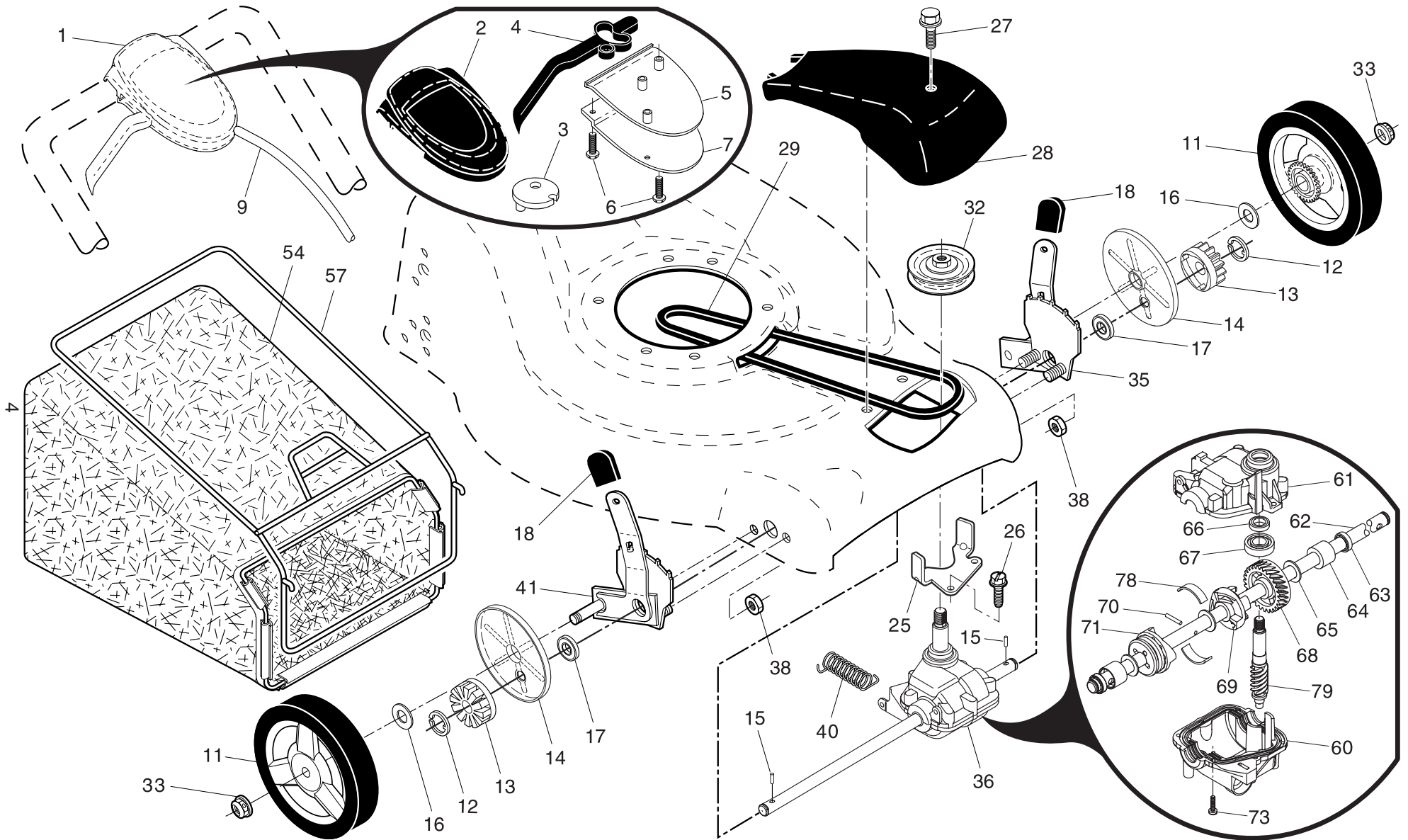


# ROTARY LAWN MOWER - - MODEL NUMBER R53SV L (96141019201) PRODUCT NUMBER 961 41 01-92

KEY NO.	PART NO.	DESCRIPTION	KEY NO.	PART NO.	DESCRIPTION
1	532 42 05-77	Upper Handle (Includes Foam Grip)	37	874 78 05-12	Thread Cutting Screw w/Sems 5/16-18 x 3/4
2	532 42 05-10	Lower Handle	38	532 40 16-29	Spacer
3	532 18 62-98	Control Bar	39	532 15 53-77	Nut, Hex, Flanged 5/16-18
4	532 41 53-50	Engine Zone Control Cable	40	532 19 09-39	Mounting Bracket, Debris Shield
5	<b>532 19 17-30</b>	Locknut, Hex 1/4-20	41	532 19 23-25	Screw, Debris Shield
6	532 41 35-07	Handle Knob Assembly, Quick-Release	43	532 40 58-44	Debris Shield
7	532 05 17-93	Hairpin Cotter	44	532 40 80-16	Lawn Mower Housing (Includes Key Numbers 10, 11, 12 and 45)
8	532 06 64-26	Wire Tie	45	532 18 21-66	Danger Decal
9	532 40 69-85	Rear Door Assembly	46	532 19 77-52	Blade Adapter / Pulley
10	532 12 84-15	Pop Rivet	47	532 19 93-77	Blade 21"
11	532 41 05-40	Support Bracket, LH	48	532 85 10-74	Hardened Washer
12	532 41 05-42	Support Bracket, RH	49	532 85 02-63	Helical Washer 3/8-24 x 1-3/8 Grade 8
13	817 06 04-10	Screw 1/4-20 x 5/8	50	532 85 10-84	Hex Head Machine Screw 3/8-24 x 1-3/8 Grade 8
14	532 41 78-12	Handle Bracket Assembly, LH	57	532 12 52-03	Upstop Bracket
15	532 41 78-11	Handle Bracket Assembly, RH	58	532 75 06-34	Screw
16	532 40 54-17	Spring, Rear Door, LH	59	532 18 55-82	Discharge Deflector
17	532 40 54-18	Spring, Rear Door, RH	60	532 17 57-35	Hinge Bracket Assembly
18	532 13 20-04	Locknut, Hex 1/4-20	61	532 19 30-00	Spring, Hinge
19	532 19 47-88	Rope Guide	62	532 17 56-50	Rod, Hinge
20	532 41 35-43	Foot Guard, C.E.	63	873 80 04-00	Locknut, Hex 1/4-20
21	817 49 04-16	Screw, Self-Tapping, Hex Head 1/4-20 x 1/2	64	532 18 55-76	Mulcher Door
24	- - -	Engine, Briggs & Stratton, Model Number 12S502 (order parts from engine manufacturer)	65	532 19 74-80	O-Ring
25	532 15 04-06	Hex Head Thread Rolling Screw 3/8-16 x 1-1/8	66	532 08 83-48	Washer, Flat
26	532 40 91-49	Hex Flange Nut	67	532 19 92-55	Stud
27	532 41 08-15	Wheel & Tire Assembly, Rear, 12"	68	532 75 11-53	Nut, Hex 1/4-20
28	532 40 16-38	Shoulder Bolt 5/16-18 x .33	69	532 18 27-48	Grip, Foam
29	532 12 50-78	Washer, Special, Engine, Zinc-Plated	96	532 19 79-91	Clip, Cable
30	532 41 31-41	Axle Arm Assembly, Rear	97	532 41 35-34	Bracket, Quick-Release
31	532 70 10-37	Selector Knob	98	532 19 96-97	Rivet
32	532 40 98-89	Selector Spring	--	532 18 21-91	Decal, Warning (not shown)
33	873 80 05-00	Nut, Hex 5/16-18	--	532 41 90-95	Operator's Manual, European
34	532 40 16-30	Washer, Curved, Cylindrical	--	532 41 90-98	Operator's Manual, Scandinavian
36	532 18 41-93	Bolt	--	532 41 90-96	Operator's Manual, East Bloc
			--	532 41 90-97	Operator's Manual, Baltic

**NOTE:** All component dimensions given in U.S. inches. 1 inch = 25.4 mm. **IMPORTANT:** Use only Original Equipment Manufacturer (O.E.M.) replacement parts. Failure to do so could be hazardous, damage your lawn mower and void your warranty.

# ROTARY LAWN MOWER - - MODEL NUMBER R53SV L (96141019201) PRODUCT NUMBER 961 41 01-92



# ROTARY LAWN MOWER - - MODEL NUMBER R53SV L (96141019201) PRODUCT NUMBER 961 41 01-92

KEY NO.	PART NO.	DESCRIPTION
1	532 41 90-20	Drive Control Assembly
2	532 41 16-73	Cover, Drive Control, Upper
3	532 40 62-62	Pulley
4	532 19 00-37	Lever, Drive Control
5	532 41 16-64	Cover, Drive Control, Lower
6	532 18 16-98	Screw
7	532 40 07-23	Mounting Bracket, Drive Control
9	532 40 62-59	Cable, Drive Control
11	532 41 10-81	Wheel & Tire Assembly
12	812 00 00-58	E-Ring
13	532 40 38-49	Pinion
14	532 18 94-03	Dust Cover
15	532 40 48-45	Pawl, Drive
16	532 06 77-25	Washer 1/2 x 1-1/2 x .134
17	532 19 10-39	Bearing, Wheel Adjuster
18	532 70 10-37	Selector Knob
25	532 41 16-63	Belt Keeper
26	532 16 34-09	Screw, Hi-Lo Thread #12 x 5/8
27	532 17 52-62	Pan Head Tapping Screw #10-24 x 2-3/4
28	532 18 55-79	Cover, Drive
29	532 19 41-49	V-Belt
32	532 19 40-18	Pulley, Drive
33	532 40 91-48	Locknut, Hex

KEY NO.	PART NO.	DESCRIPTION
35	532 40 88-62	Kit, Wheel Adjuster, LH (Includes Knob and Bearing)
36	532 40 48-33	Gear Case Assembly, Complete
38	873 80 04-00	Locknut 1/4-20
40	532 40 65-58	Spring
41	532 40 88-61	Kit, Wheel Adjuster, RH (Includes Knob and Bearing)
54	532 40 19-03	Grassbag Assembly
57	532 41 19-50	Frame, Grassbag
61	532 41 07-26	Case, Upper
62	532 41 09-49	Shaft, Output
63	532 18 35-08	Seal, Output Shaft
64	532 18 35-11	Bushing
65	532 18 35-09	Washer
66	532 18 35-14	Seal, Worm Shaft
67	532 18 35-06	Bearing, Ball
68	532 41 07-29	Gear, 28 Teeth
69	532 41 07-32	Fixed Dog Clutch
70	532 41 07-33	Pin
71	532 41 07-30	Movable Dog Clutch
73	532 18 35-13	Screw, Case
74	532 41 07-34	Case, Lower
78	532 41 07-31	Spring, Leaf
79	532 41 07-27	Shaft, Worm

5

**NOTE:** All component dimensions given in U.S. inches. 1 inch = 25.4 mm. **IMPORTANT:** Use only Original Equipment Manufacturer (O.E.M.) replacement parts. Failure to do so could be hazardous, damage your lawn mower and void your warranty.