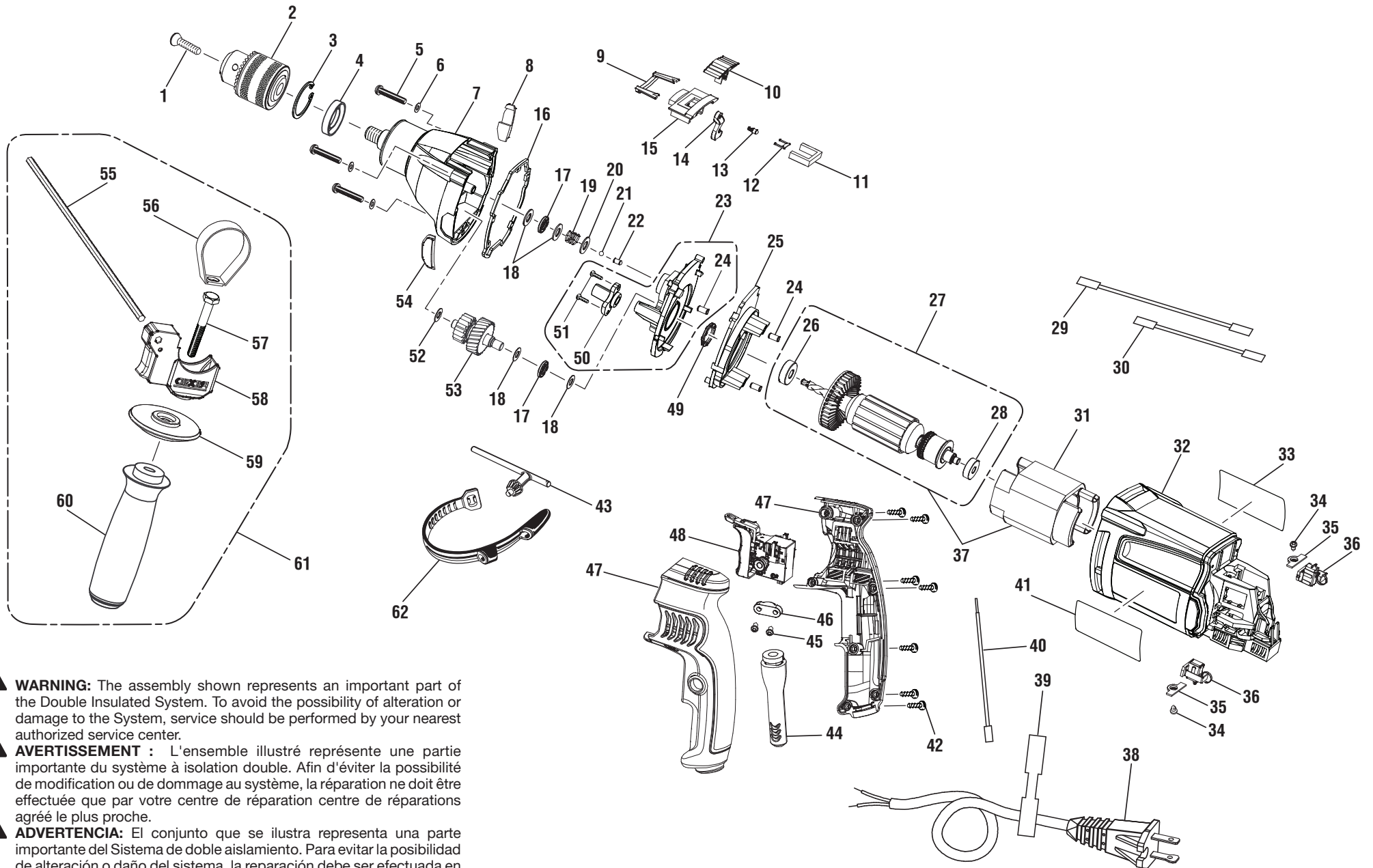


# RIDGID® R5013



**⚠ WARNING:** The assembly shown represents an important part of the Double Insulated System. To avoid the possibility of alteration or damage to the System, service should be performed by your nearest authorized service center.

**⚠ AVERTISSEMENT :** L'ensemble illustré représente une partie importante du système à isolation double. Afin d'éviter la possibilité de modification ou de dommage au système, la réparation ne doit être effectuée que par votre centre de réparation agréé le plus proche.

**⚠ ADVERTENCIA:** El conjunto que se ilustra representa una parte importante del Sistema de doble aislamiento. Para evitar la posibilidad de alteración o daño del sistema, la reparación debe ser efectuada en su centro de servicio autorizado.

# RIDGID® R5013

KEY	P/N	DESCRIPTION	QTY	KEY	P/N	DESCRIPTION	QTY	KEY	P/N	DESCRIPTION	QTY
1	6613402	SCREW (M6 X 27 mm) .....	1	24	560712002	RUBBER KNOCK .....	3	45	6627201	SCREW (M4 X 14 mm) .....	2
2	672380001	CHUCK .....	1	25	513698001	FAN CASE .....	1	46	5950101	CORD CLAMP .....	1
3	671025001	RETAINING RING (32 mm) .....	1	26	680141014	BALL BEARING (608 LLU) .....	1	47	300160013	HANDLE ASSEMBLY .....	1
4	562002004	OIL SEAL .....	1	27	200216034	* ARMATURE ASSEMBLY (HH MOTOR) (INCL. KEY NOS. 26 AND 28) .....	1	48	760406003	SWITCH .....	1
5	660024019	SCREW (M4 X 34 mm) .....	3	28	6972701	BALL BEARING (626Z) .....	1	49	570593001	SEAL RING .....	1
6	670030005	SPRING WASHER .....	3	29	290102006	WIRE ASSEMBLY (90 mm) .....	1	50	672026001	ARMATURE SHAFT SUPPORT .....	1
7	300308033	GEAR BOX ASSEMBLY .....	1	30	290102007	WIRE ASSEMBLY (55 mm) .....	1	51	660320008	SCREW (M3.5 X 10 mm) .....	2
8	513922001	ANTI-SKID PAD (RIGHT) .....	1	31	741201001	* FIELD ASSEMBLY (HH MOTOR) .....	1	52	631813001	WASHER .....	1
9	570598001	SEAL RING .....	1	32	200058009	MOTOR HOUSING ASSEMBLY .....	1	53	300022010	GEAR SHAFT ASSEMBLY .....	1
10	519088001	IMPACT BUTTON .....	1	33	940045024	DATA LABEL .....	1	54	513923001	ANTI-SKID PAD (LEFT) .....	1
11	901241001	SPONGE SEAL .....	1	34	660203073	SCREW (M3 X 6 mm) .....	2	55	620448001	DEPTH STOP ROD .....	1
12	631486001	CATCH RING .....	1	35	513689001	PRESSURE PLATE .....	2	56	620451001	SPRING PLATE .....	1
13	301603001	CAP ASSEMBLY .....	1	36	290069080	BRUSH ASSEMBLY .....	2	57	660169228	SCREW (M8 X 62 mm) .....	1
14	631485001	IMPACT KEY .....	1	37	200216035	** MOTOR ASSEMBLY (INC. KEY NOS. 27 & 31) (HH MOTOR) .....	1	58	301459004	CARRIER ASSEMBLY .....	1
15	513641001	IMPACT HOUSING .....	1	38	730401022	POWER CORD .....	1	59	513694003	AUXILIARY HANDLE CAP .....	1
16	570603001	SEAL RING .....	1	39	940299942	CORD TAG .....	1	60	301374009	AUXILIARY HANDLE .....	1
17	681012001	TRUST BEARING .....	2	40	290102005	WIRE ASSEMBLY (95 mm) .....	1	61	301374003	AUXILIARY HANDLE ASSEMBLY (INCL. KEY NOS. 55-60) .....	1
18	631504001	WASHER .....	4	41	940114139	LOGO LABEL .....	1	62	560989001	CHUCK KEY STRAP .....	1
19	671871001	SPRING .....	1	42	660024044	SCREW (M4 X 16 mm) .....	7	<b>NOT SHOWN:</b>			
20	631483001	WASHER .....	1	43	690176004	CHUCK KEY .....	1	901054008	TOOL BAG .....	1	
21	671401002	BALL .....	1	44	560801001	BEND RELIEF .....	1	987000060	OPERATOR'S MANUAL .....	1	
22	631500001	PIN .....	1					6-23-11 (REV:08)			
23	301957001	GEAR BOX COVER ASSEMBLY (INCL. KEY NOS. 24, 50, AND 51) .....	1								

\* To be used after date code CS0835 only

\*\* To be used for motor replacement prior to date code CS0835