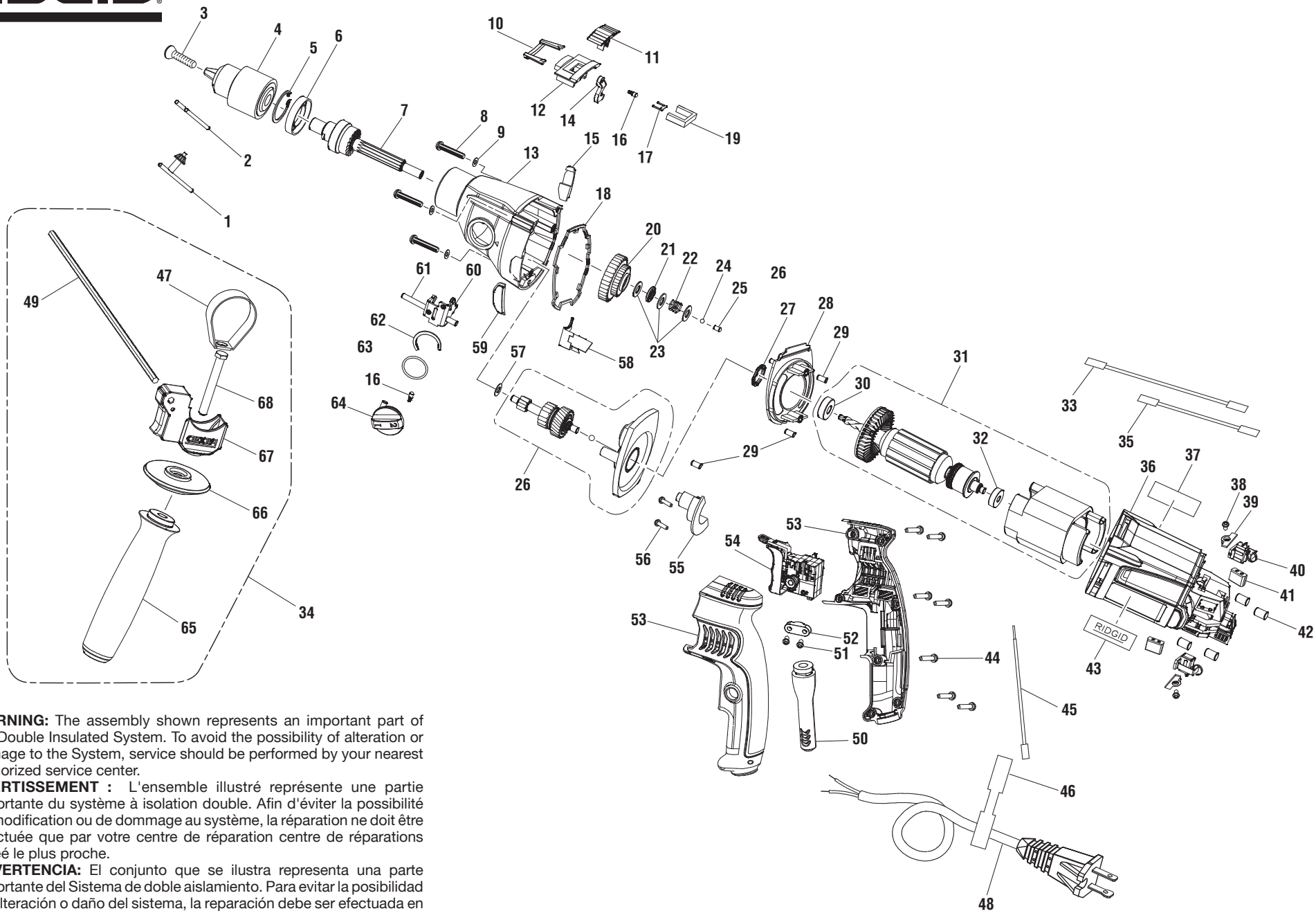


RIDGID
R5011 1/2 in. HAMMER DRILL
REPAIR SHEET

RIDGID
PERCEUSE À PERCUSSION DE 13 mm
(1/2 po) R5011
FEUILLE DE RÉPARATION

RIDGID
R5011 TALADRO DE PERCUSIÓN
DE 13 mm (1/2 pulg.)
LISTAS DE PIEZAS DE REPUESTO

RIDGID® R5011



⚠ WARNING: The assembly shown represents an important part of the Double Insulated System. To avoid the possibility of alteration or damage to the System, service should be performed by your nearest authorized service center.

⚠ AVERTISSEMENT : L'ensemble illustré représente une partie importante du système à isolation double. Afin d'éviter la possibilité de modification ou de dommage au système, la réparation ne doit être effectuée que par votre centre de réparation agréé le plus proche.

⚠ ADVERTENCIA: El conjunto que se ilustra representa una parte importante del Sistema de doble aislamiento. Para evitar la posibilidad de alteración o daño del sistema, la reparación debe ser efectuada en su centro de servicio autorizado.

RIDGID® R5011

KEY	P/N	DESCRIPTION	QTY	KEY	P/N	DESCRIPTION	QTY	KEY	P/N	DESCRIPTION	QTY
1	690176004	Chuck Key	1	26	200527001	Gear Shaft & Cover Assembly	1	50	560801001	Bend Relief	1
2	560989001	Chuck Key Strap.....	1	27	570593001	Seal Ring (9027).....	1	51	6627201	Screw (M4 x 14 mm).....	2
3	6613402	Chuck Screw	1	28	513698001	Fan Case.....	1	52	590501001	Cord Clamp	1
4	672380001	Chuck.....	1	29	560712002	Rubber Bumper (9029)	3	53	301525003	Housing Assembly	1
5	671025001	C Ring	1	30	680141014	Ball Bearing (608LLU)	1	54	760406003	Switch	1
6	562002004	Seal Ring.....	1	31	200216037	Motor Assembly.....	1	55	672026001	Support.....	1
7	300003070	Output Shaft Assembly.....	1	32	690727002	Ball Bearing (626Z)	2	56	660320008	Screw (M3.5 x 12 mm).....	2
8	660810004	Screw (M4 x 45 mm).....	3	33	290102006	Wire Assembly (90 mm)	1	57	631813001	Washer.....	1
9	670030005	Spring Washer	3	34	301374011	Handle Assembly.....	1	58	631592001	Grease Plate	1
10	570598001	Seal Ring.....	1	35	290102007	Wire Assembly (60 mm)	1	59	513923001	Anti-Skid Pad (Left).....	1
11	519088001	Impact Button.....	1	36	301699009	Motor Housing Assembly (Inc. Key Nos. 37 and 43).....	1	60	631912001	Speed Adjust Pack	1
12	513641001	Impact Housing	1	37	940077088	Data Label.....	1	61	631479001	Guide Pin	1
13	300440072	Gear Case Assembly	1	38	660203073	Screw (M3 x 6 mm).....	2	62	631480001	C-Ring.....	1
14	631485001	Impact Key.....	1	39	513689001	Pressure Plate.....	2	63	570591001	Seal Ring.....	1
15	513922001	Anti Skid Pad (Right).....	1	40	290069080	Brush Assembly.....	2	64	301375005	Speed Knob.....	1
16	301603001	Cap Assembly.....	2	41	570599001	Cushion.....	2	65	301800002	Side Handle	1
17	631486001	Catch Ring	1	42	620437001	Plug.....	4	66	513694003	Side Handle Cap.....	1
18	570603001	Seal Ring.....	1	43	940114139	Logo Label	1	67	301459008	Carrier Assembly	1
19	901241001	Sponge Seal	1	44	660024044	Screw (M4 x 16 mm).....	7	68	660169056	Screw (M8 x 1.25 mm).....	1
20	300003083	Ouput Gear Assembly	1	45	290102005	Wire Assembly (95 mm)	1	NOT SHOWN:			
21	681012001	Thrust Bearing	1	46	940299942	Cord Tag (9046)	1	902628001	Tool Bag.....	1	
22	671871001	Spring	1	47	631450003	Spring Plate	1	983000914	Operator's Manual	1	
23	631483001	Washer.....	3	48	730401022	Power Cord.....	1				
24	671401002	Ball.....	1	49	620448001	Depth Gauge.....	1				
25	631500001	Pin.....	1								