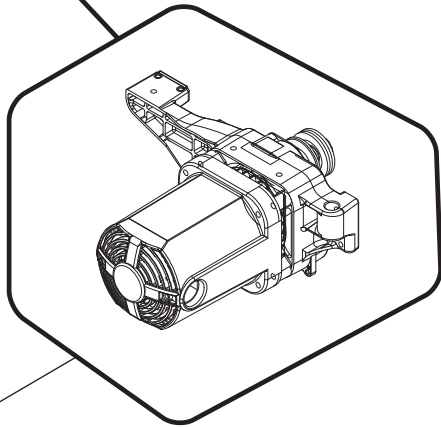
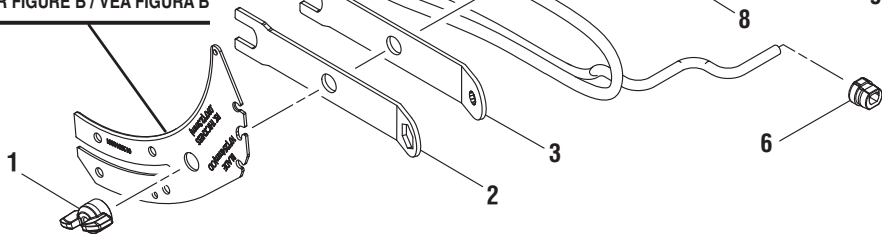


SEE FIGURE F
VOIR FIGURE F / VEA FIGURA F



25

SEE FIGURE B
VOIR FIGURE B / VEA FIGURA B



1

2

3

6

8

9

10

11

4

5

7

8

8

8

9

12

14

13

16

16

17

16

16

13

14

19

16

18

16

13

14

15

13

16

18

16

20

16

21

22

24

23

23

24

FIGURE A / FIGURA A



R4518/R4518T

PARTS LIST FOR FIGURE A

Key No.	Part Number	Description	Qty	Key No.	Part Number	Description	Qty
1	089290001094	Wing Nut (5/16-18)	1	16	089240035028	Screw w/Washer (M5 x 15 mm, Rd. Hd.)	8
2	089240037031	Blade Wrench (A)	1	17	089240037025	Frame.....	1
3	089240037030	Blade Wrench (B).....	1	18	089240028090	Screw (M4 x 35 mm, Truss Hd.)	4
4	089240028089	Power Cord (Inc. Key No. 5).....	1	19	089110102141	Lock Nut (M5)	2
5	089240028908	Cordwrap Label (French/Spanish).....	1	20	089240037022	Blade Guard Plate (Inc. Key No. 21).....	1
6	089240015140	Strain Relief	1	21	089240037021	Screw (M5 x 30 mm).....	2
7	089240028088	Knob Ring.....	1	22	089240037908	Blade Guard Storage Label	1
8	089240037067	Screw (M4 x 30 mm, Rd. Hd.)	2	23	089240037023	Strap.....	2
9	089240037029	Wrench, Riving Knife and Blade Holder	1	24	089240037024	Rip Fence Storage.....	2
10	089110101070	Carriage Bolt (5/16-18 x 1-1/2 in.).....	1	25	089240037070	Motor Assembly	1
11	089240037028	Miter Gauge Holder	1	Not Shown:			
12	089240037026	Foot (Left)	2	995000889	Operator's Manual (089240037912)		
13	089316001218	Screw (Truss Hd.).....	8	6-2-20			
14	089240015089	Lock Nut	8	(Rev:03)			
15	089240037066	Foot (Right).....	2				

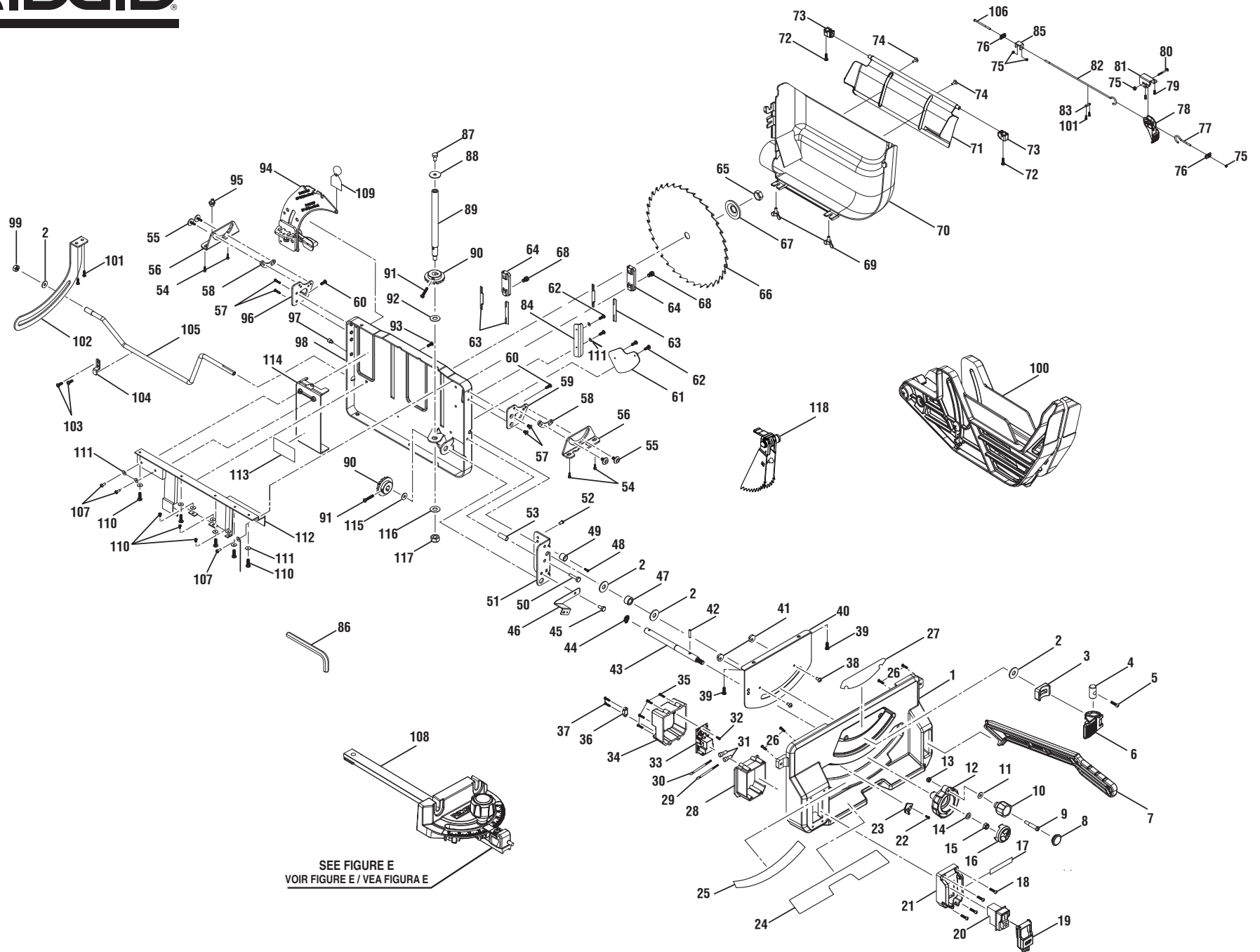


FIGURE B / FIGURA B



R4518/R4518T

PARTS LIST FOR FIGURE B

Key No.	Part Number	Description	Qty.	Key No.	Part Number	Description	Qty.
1	089240037042	Front Panel Assembly (Inc. Key Nos. 24-25 & 27)..	1	32	089290001178	Screw (M3 x 8 mm).....	1
2	089110102278	Washer (ID10 x OD23 x 2t)	4	33	089240020009	Soft Start.....	1
3	089290001046	Bevel Lock Block	1	34	089240028016	Rear Switch Box	1
4	089290001048	Bevel Lock Lever Pin	1	35	089240028019	Screw (M4 x 25 mm, Truss Hd.).....	4
5	089290001049	Screw w/Washer (M5 x 15 mm, ID5 x OD12 x 1.5t)	1	36	089041033033	Cord Clamp	1
6	089240028006	Bevel Lock Lever	1	37	089041033087	Screw (M4 x 16 mm, Pan Hd.).....	2
7	089240028007	Push Stick.....	1	38	089240020106	Screw (M6 x 8 mm).....	2
8	089240028001	End Cap (Handle Grip).....	1	39	089290001043	Screw w/Washer (M5 x 15 mm, Pan Hd.).....	2
9	089290001052	Screw (Special)	1	40	089240037036	Reinforcement Plate	1
10	089240028002	Handwheel Grip	1	41	089290001041	Cam	2
11	089110102182	Flat Washer (ID6.5 x OD13 x 1.5t)	1	42	089110102187	Spring Pin (D4 x 20 mm).....	1
12	089240037039	Height/Bevel Adjusting Handwheel	1	43	089240037034	Handwheel Rod	1
13	089290001050	Lock Nut (1/4 x 20 mm)	1	44	089037007062	Retaining Ring	1
14	089240037038	Washer (ID 8.4 x OD 20 x 1.5t)	1	45	089290001063	Screw w/Washer (M5 x 12 mm, Hex Hd.).....	1
15	089037016024	Lock Nut (M8 x 13 mm)	1	46	089240037035	Indicator Bracket	1
16	089240037037	End Cap (Handwheel).....	1	47	089240028021	Lock Ring.....	1
17	089037011910	Switch Key Label	1	48	089290001040	Screw (M6 x 28 mm).....	1
18	089240028090	Screw (M4 x 35 mm).....	4	49	089240037069	Positioning Block	1
19	089240028008	Switch Paddle.....	1	50	089290001066	Screw (M6 x 35 mm. Hex Hd.).....	1
20	089240028009	Switch Assembly (Inc. Key No. 19).....	1	51	089290001067	Fixed Plate.....	1
21	089240028013	Bezel	1	52	089290001076	Screw w/Washer (M5 x 10 mm, Hex. Hd.).....	1
22	089290001061	Screw w/Washer (M4 x 10 mm, Rd. Hd.).....	1	53	089290001037	Spacer	1
23	089240028020	Bevel Indicator.....	1	54	089037007022	Screw w/Washer (M6 x 18 mm, Hex Soc. Hd.)	4
24	089240037902	Warning/Logo Label	1	55	089290001036	Screw w/Washer (M5 x 8 mm, Pan Hd.).....	4
25	089240037041	Bevel Scale Label	1	56	089110113017	Bevel Trunnion	2
26	089240037068	Screw (M5 x 200 mm, Truss Hd.).....	4	57	089290001075	Screw (M5 x 10 mm, Flat Hd.)	4
27	089240037903	Bevel Lock Label	1	58	089110113018	Trunnion Slider.....	2
28	089240028017	Switch Bezel	1	59	089110113038	Right Rear Bevel Plate.....	1
29	089240028011	Lead w/Terminal.....	1	60	089290001076	Screw w/Washer (M5 x 10 mm, Pan Hd.).....	2
30	089240028010	Lead w/Terminal.....	1	61	089240028022	Protection Chip.....	1
31	089240028080	Wire Connector.....	2	62	089290001012	Screw w/Washer (M4 x 12 mm, Hex Hd.).....	4



R4518/R4518T

PARTS LIST FOR FIGURE B

Key No.	Part Number	Description	Qty.	Key No.	Part Number	Description	Qty.
63	089110113037	Shim.....	4	92	089290001032	Plastic Washer	1
64	089110113036	Elevation Slider	2	93	089240028156	Screw (M4 x 18 mm, Truss Hd.).....	1
65	089025005076	Spindle Nut	1	94	089240028107	Riving Knife.....	1
66	089290001035	Blade.....	1	95	089240028107	Eccentric Shaft	1
67	089240028024	Blade Washer.....	1	96	089240028153	Left Rear Swing Plate	1
68	089290001012	Screw (Truss Hd.).....	2	97	089290001074	Rod Screw	1
69	089240028025	Wing Screw (M5 x 8 mm).....	2	98	089240028027	Saw Blade Box	1
70	089240028026	Dust Housing	1	99	089110102129	Lock Nut (M10)	1
71	089240037032	Dust Cover.....	1	100	089240037702	Side Barrier Assembly	1
72	089240015090	Screw w/Washer (M5 x 12 mm, Truss Hd.).....	2	101	089037012089	Tapping Screw (#10-24 UNC x 1/2 in., Truss Hd.)..	4
73	089240037033	Fixed Set.....	2	102	089110113074	Rear Reinforcing Plate.....	1
74	089240015093	Tapping Washer Screw (M4 x 12 mm, Truss Hd.)...2		103	089290001517	Screw w/Washer (M4 x 8 mm).....	2
75	089110101101	Lock Nut (M6)	4	104	089110113072	Lock Lever Positioning Plate	1
76	089110102026	Lock Block.....	2	105	089290001071	Lock Lever	1
77	089240037001	Short Rod.....	1	106	089240028040	Screw (M6 x 103 mm, Hex Hd.).....	1
78	089240028037	Locking Knob.....	1	107	089290001012	Screw (M4 x 12 mm, Truss Hd.).....	3
79	089110102033	Screw (M6 x 12 mm, Phillips Rd. Hd.).....	2	108	089240037701	Miter Gauge	1
80	089110102031	Carriage Bolt (M6 x 12 mm).....	1	109	089240028073	Riving Knife Hangtag	1
81	089240028038	Locking Handle Plate.....	1	110	089240028059	Screw (M4 x 8 mm, Rd. Hd.).....	8
82	089240037003	Long Bar	1	111	089240028072	Flat Washer (ID4 x OD9 x 0.8t)	13
83	089110102122	Pressing Plate.....	1	112	089240028030	Canvas.....	1
84	089240028155	Saw Block.....	1	113	089240037904	Data Label (R4518)	1
85	089037012090	Adjustment Block	1		089240037910	Data Label (R4518T)	1
86	089240020091	Hex Key Wrench (M5 x 75 mm)	1	114	089240028028	Riving Knife.....	1
87	089290001028	Screw (1/4 in.-20 UNC x 1/2 in., Hex Hd.).....	1	115	089290001060	Flat Washer (ID13 x OD22 x 0.5t)	1
88	089290001029	Washer (ID6.5 x OD25 x 1.6t)	1	116	089290001069	Flat Washer (ID10 x OD22 x 1t)	1
89	089290001030	Lifting Screw (9/16-12 UNC-LH).....	1	117	089290001068	Lock Nut (3/8 in.-16 UNC)	1
90	089290001031	Bevel Gear	2	118	089240037703	Anti Kick Back Pawl.....	1
91	089110102084	Screw (#8-32 UNC x 1 in.)	2				

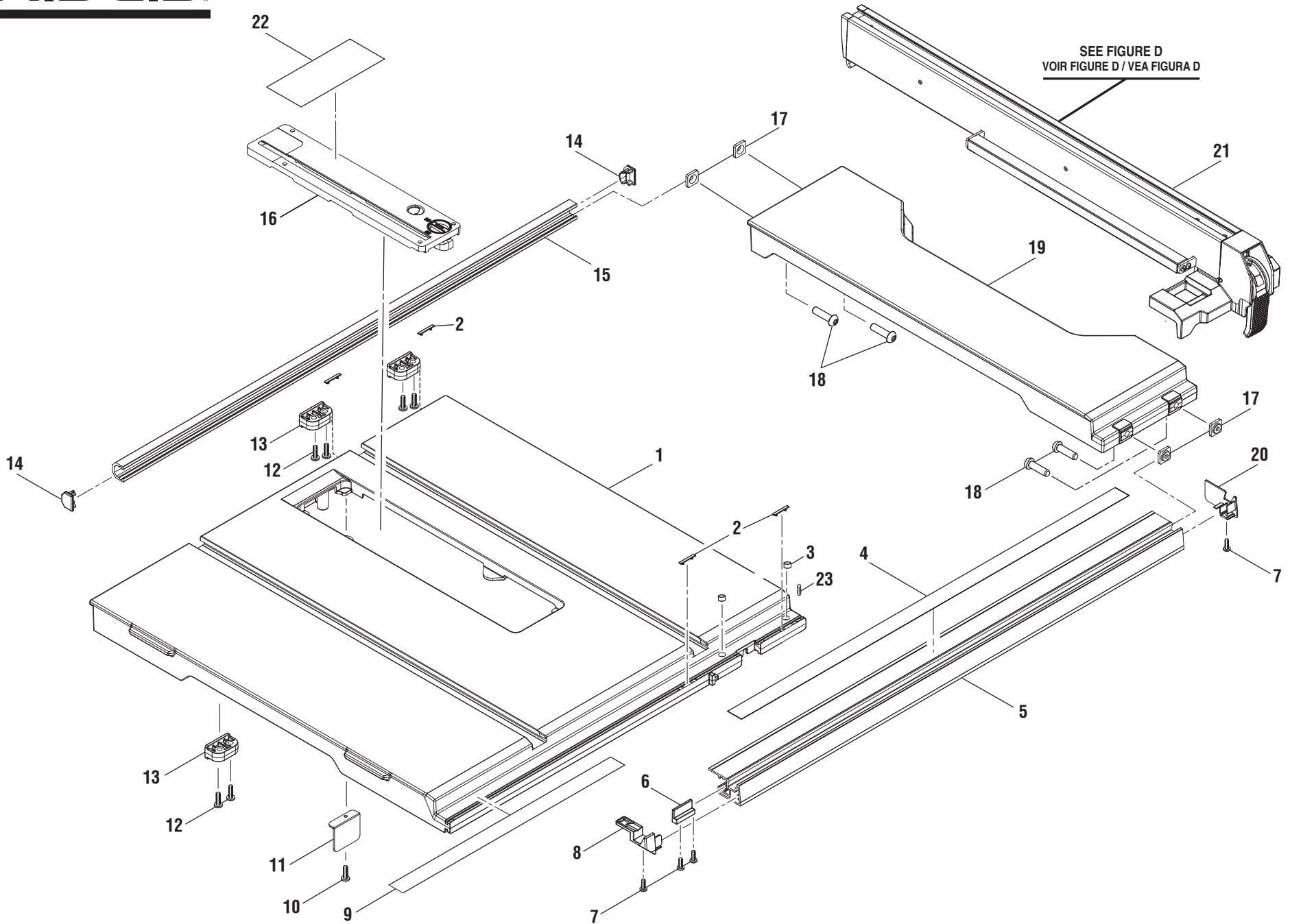


FIGURE C / FIGURA C



R4518/R4518T

PARTS LIST FOR FIGURE C

Key No.	Part Number	Description	Qty	Key No.	Part Number	Description	Qty
1	089041045008	Saw Table	1	13	089110102038	Rear Rail Holder	3
2	089110102017	Slider.....	4	14	089037006046	Rail End Cap (Rear)	2
3	089240020094	Sliding Pad	2	15	089240037009	Rear Rail	1
4	089240037011	Scale Label (Long).....	1	16	089240037705	Throat Plate Assembly (Inc. Key No. 22)	1
5	089240037010	Front Rail Assembly (Inc. Key No. 4)	1	17	089110102003	Rail Holder Nut	4
6	089110102011	Front Rail Stop.....	1	18	089110110044	Screw w/Washer (M6 x 15 mm, Hex Soc. Hd.)	4
7	089240020005	Screw (M4 x 12 mm).....	4	19	089240037004	Sliding Extension Table.....	1
8	089240037014	Scale Indicator.....	1	20	089037006003	Rail End Cap (Right Front)	1
9	089240037013	Rip Fence Extension Label.....	1	21	089240037706	Rip Fence Assembly	1
10	089240028059	Screw (M4 x 8 mm, Round Hd.)	1	22	089290001909	Styrofoam Floor Combo Label	1
11	089240028058	Rear Cover Plate	1	23	089240020095	Set Screw (M6 x 12 mm)	1
12	089240020105	Screw w/Washer (M6 x 20 mm, Truss Hd.)	6				

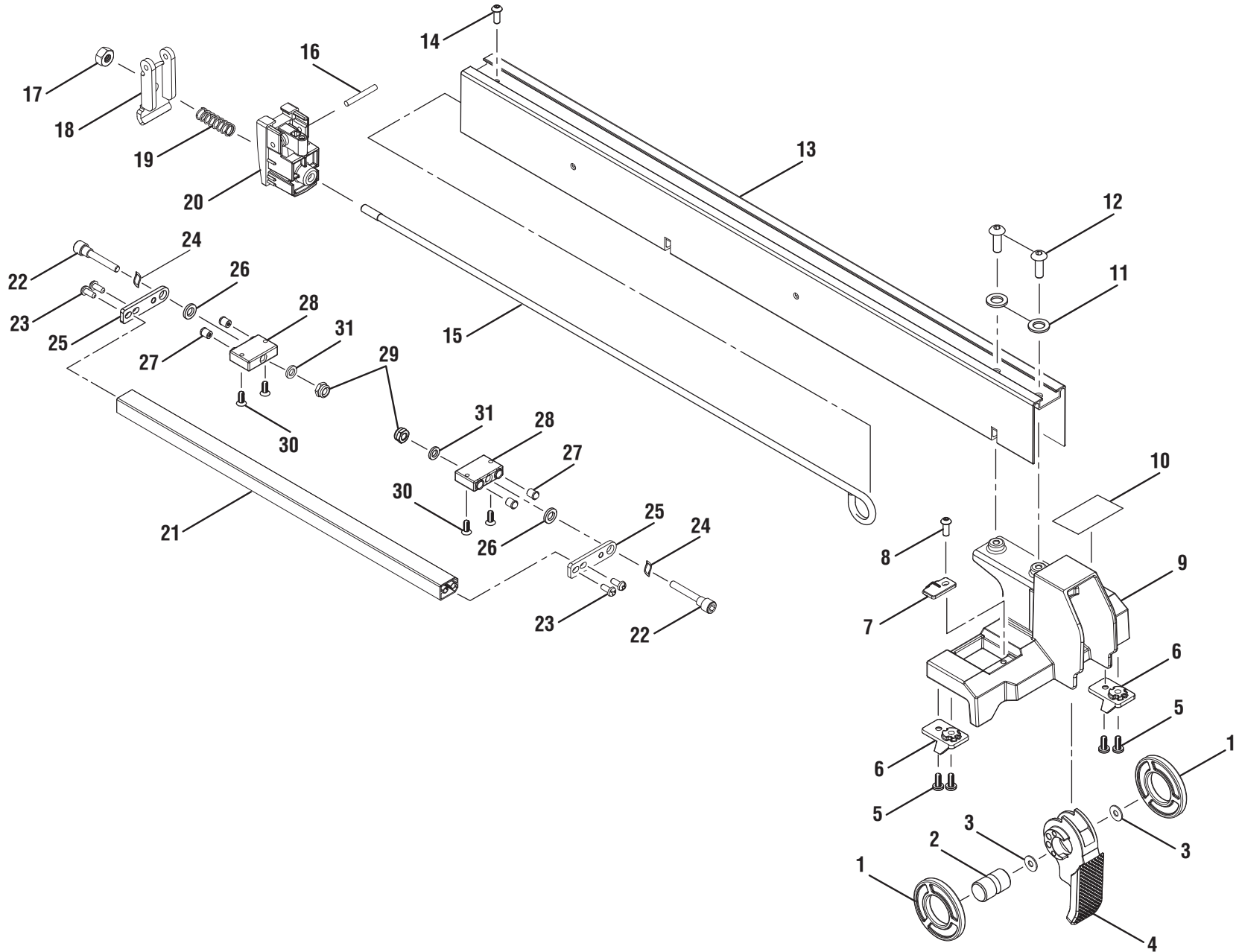


FIGURE D / FIGURA D



R4518/R4518T

PARTS LIST FOR FIGURE D

Key No.	Part Number	Description	Qty	Key No.	Part Number	Description	Qty
1	089110102177	Pad	2	17	089110101101	Lock Nut (M6)	1
2	089110102167	Crank Shaft.....	1	18	089240037049	Rear Clamp.....	1
3	089110101108	Washer (ID16 x OD25 x 1.5t)	2	19	089110101104	Compression Spring.....	1
4	089240037054	Lock Lever	1	20	089240037050	Rear Plate	1
5	089240037071	Screw (8-32 x 1/2 in., Flat Hd.).....	4	21	089240028131	Low Fence	1
6	089037016031	Fence Slider.....	2	22	089240028132	Screw (M5 x 43 mm).....	2
7	089240028122	Fence Indicator.....	1	23	089240028129	Screw (M4 x 20mm, Rd. Hd.)	4
8	089240028123	Screw w/Washer (M4 x 5 mm, Pan Hd.).....	1	24	089240028130	Wave Washer (ID7.3 x OD10.5 x 0.3t)	2
9	089240037053	Fence Bracket	1	25	089240037055	Fix Plate.....	2
10	089240037909	Fence Logo Label.....	1	26	089240028127	Flat Washer (ID7.5 x OD10.5 x 2t)	2
11	089037016020	Washer (ID6.5 x OD16 x 1.5t)	2	27	089240037056	Ball Plunger (D6 x 7 mm).....	4
12	089240020060	Screw (M6 x 15 mm, Truss Hd.)	2	28	089240037057	Block.....	2
13	089240037052	Rip Fence Body	1	29	089110102141	Lock Nut (M5)	2
14	089041033087	Screw (M4 x 16 mm).....	1	30	089290001130	Screw (M4 x 12 mm, Flat Hd.).....	4
15	089240037051	Linkage.....	1	31	089240028115	Washer (ID3.5 x OD12 x 1.8t)	2
16	089110113147	Pin (D4 x 31 mm)	1				

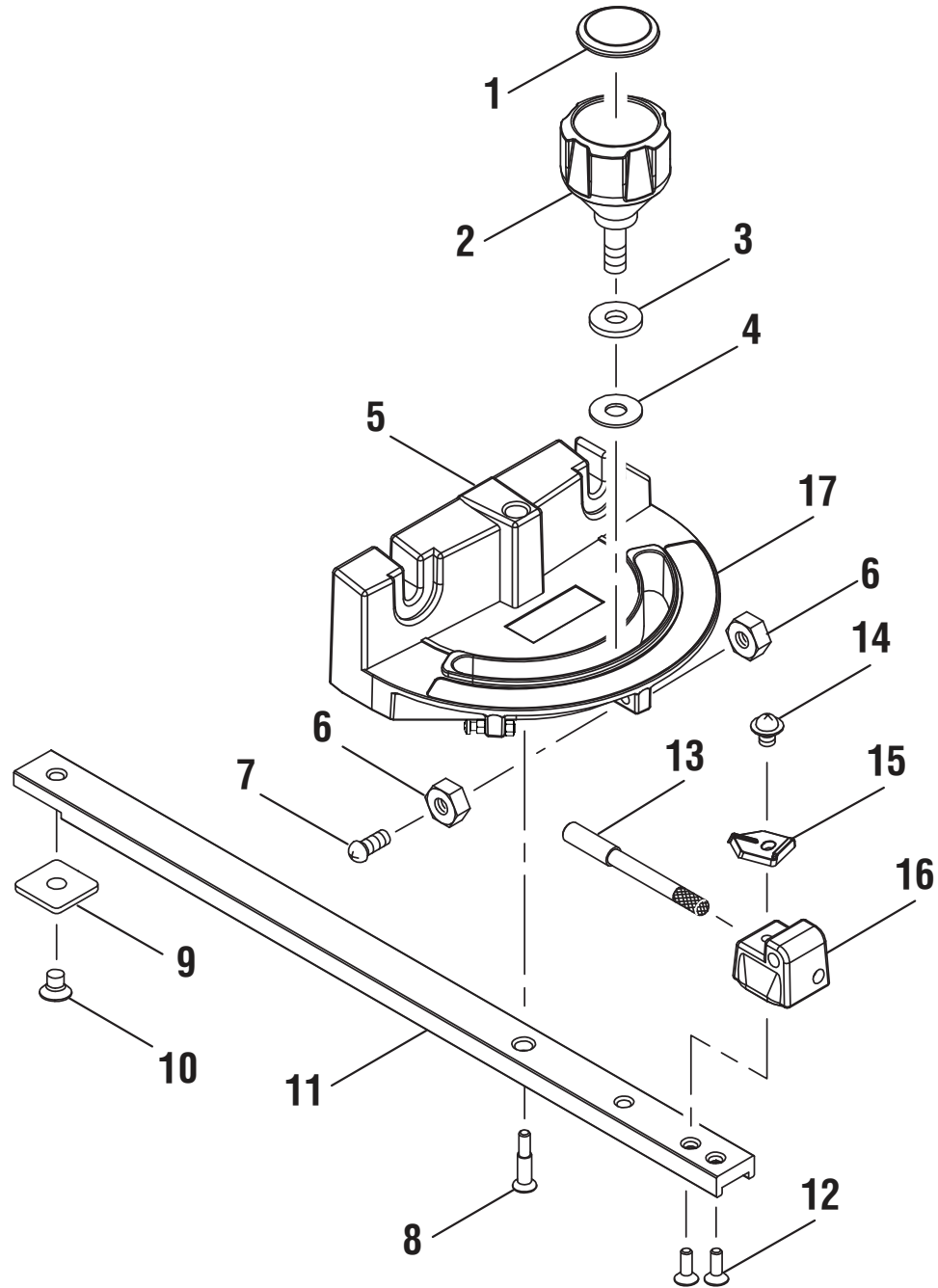


FIGURE E / FIGURA E



R4518/R4518T

PARTS LIST FOR FIGURE E

Key No.	Part Number	Description	Qty
1	089240028001	End Cap.....	1
2	089240028099	Miter Gauge Lock Knob	1
3	089110101123	Washer (ID1/4 in. x OD16 x 1.5t)	1
4	080015001475	Lock Washer (ID1/4 in. x OD16 x 2t)	1
5	089240037047	Miter Gauge Body	1
6	089110101133	Nut (3/16-24 UNC).....	6
7	089110101134	Screw (3/16-24 x 21.7 mm, Pan Hd.)	3
8	089240037048	Pivot Pin	1
9	089290001127	Angle Pin Guide Block.....	1
10	089025005174	Screw (M6 x 8 mm).....	1
11	089240028101	Miter Gauge Rod	1
12	089290001130	Screw (M4 x 12 mm).....	2
13	089110101128	Stop Pin.....	1
14	089110113151	Screw (M4 x 8 mm).....	1
15	089240028102	Pointer	1
16	089110101131	Indicator Bracket	1
17	089240037701	Miter Gauge.....	1

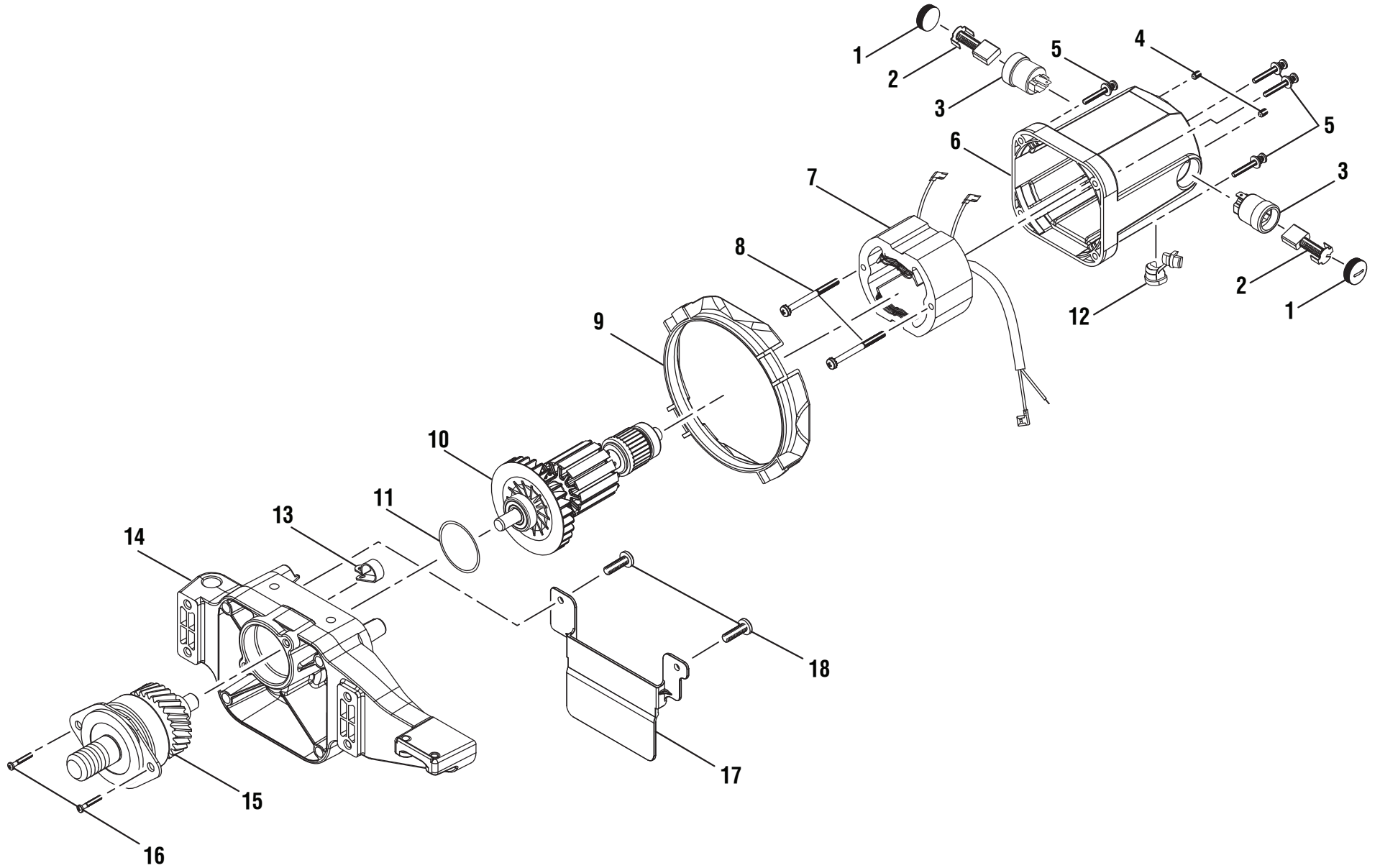


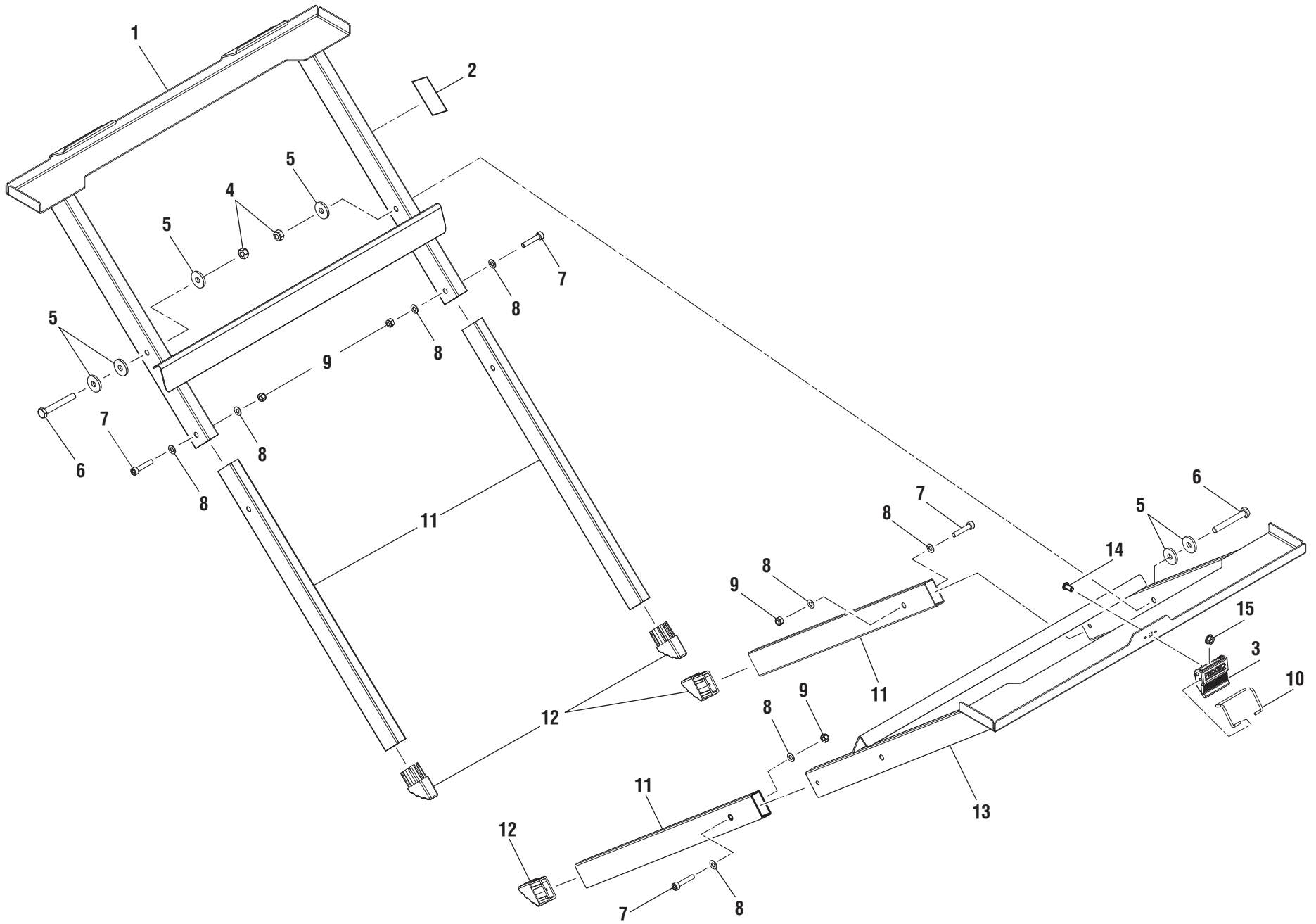
FIGURE F / FIGURA F



R4518/R4518T

PARTS LIST FOR FIGURE F

Key No.	Part Number	Description	Qty
1	089110102255	Brush Cap.....	2
2	089110102254	Brush Assembly.....	2
3	089037012106	Brush Holder.....	2
4	089240028054	Set Screw (M5 x 8 mm)	2
5	080015001426	Screw w/Washer (M5 x 35 mm).....	4
6	089290001099	Motor Housing.....	1
7	089240028081	Field Assembly	1
8	089290001182	Screw w/Washer (M5 x 65 mm, Truss Hd.)	2
9	089290001100	Baffle.....	1
10	089240028082	Armature Assembly	1
11	089110101223	O-Ring	1
12	089240015140	Strain Relief	1
13	089110101069	Cord Clamp	1
14	089240028083	Gear Housing Assembly	1
15	089240028084	Arbor Assembly	1
16	089290001104	Screw w/Washer (M5 x 12 mm, Rd. Hd.)	2
17	089240028086	Motor Cover.....	1
18	089240028087	Screw (M4 x 10 mm).....	2

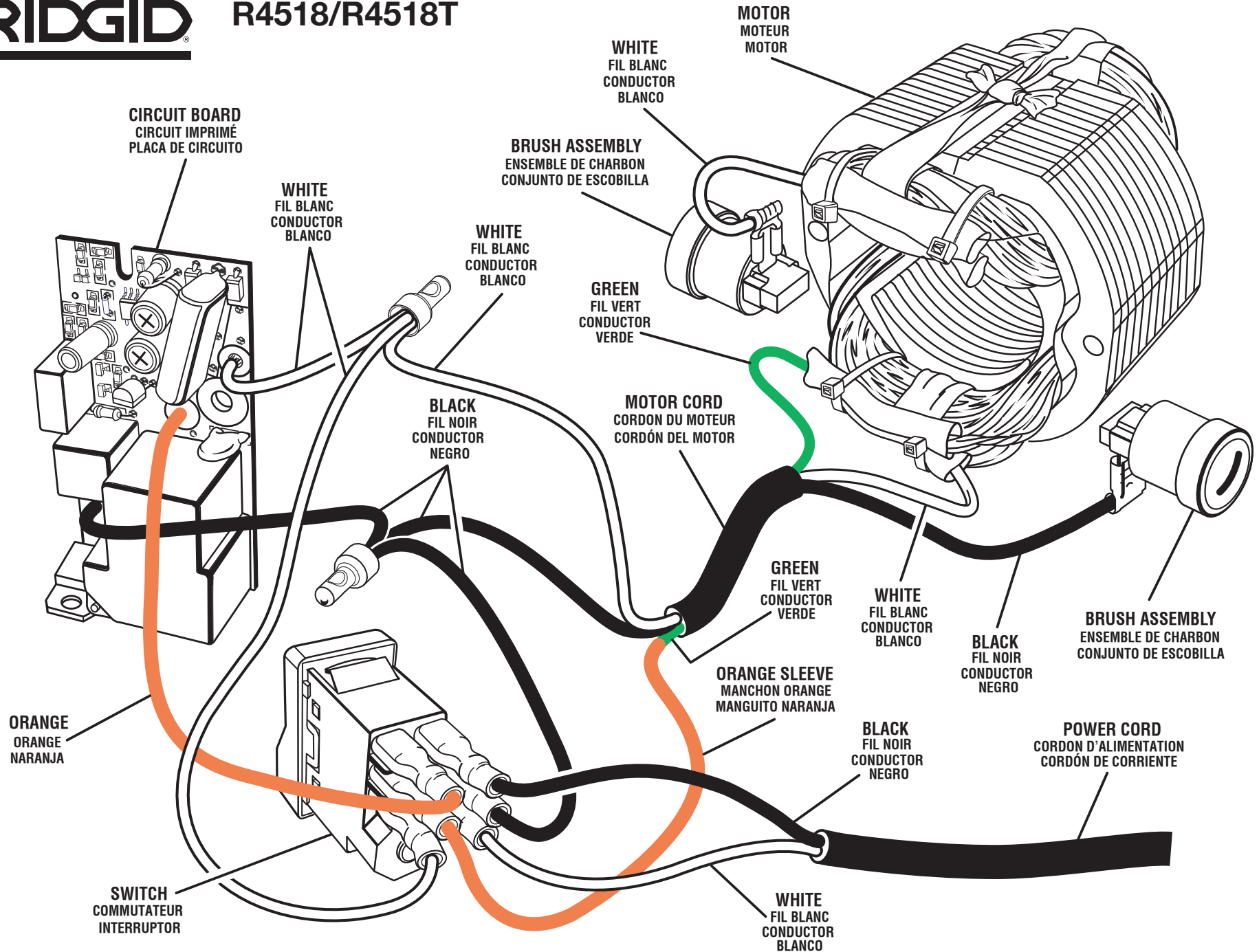




R4518/R4518T

PARTS LIST FOR FIGURE G

Key No.	Part Number	Description	Qty
1	089240037058	Long Unit Support Panel.....	1
2	089240037901	Stand Label	1
3	089240037063	Latch Assembly	1
4	089037016024	Lock Nut (M8).....	2
5	089037016004	Washer (ID8.5 x OD25 x 3t).....	6
6	089037016021	Screw (M8 x 60 mm, Hex. Hd.)	2
7	089037016019	Screw (M6 x 35 mm, Hex Soc. Hd.).....	4
8	089037016020	Washer (ID6.5 x OD16 x 1.5t).....	8
9	089110101101	Lock Nut (M6).....	4
10	089240016005	Lock.....	1
11	089240037059	Leg	4
12	089240037060	Foot	4
13	089240037061	Short Unit Support Panel	1
14	089037007015	Carriage Bolt (M6 x 15 mm)	1
15	089240028165	Nut (M6).....	1



WIRING DIAGRAM / SCHÉMA DE CÂBLAGE / DIAGRAMA DE CABLEADO