

The model number will be found on a plate attached to the motor housing. Always mention the model number in all correspondence regarding your **TABLE SAW** or when ordering repair parts.

Le numéro de modèle se trouve sur une plaquette fixée sur le boîtier du moteur. Ne jamais oublier de mentionner le numéro de modèle dans toute correspondance concernant la **SCIE À TABLE** ou lors de la commande de pièces détachées.

El número de modelo se encuentra en una placa adherida a la caja del motor. Siempre mencione el número del modelo en toda la correspondencia relacionada con la **SIERRA DE MESA** o al pedir piezas para repararla.



R4516

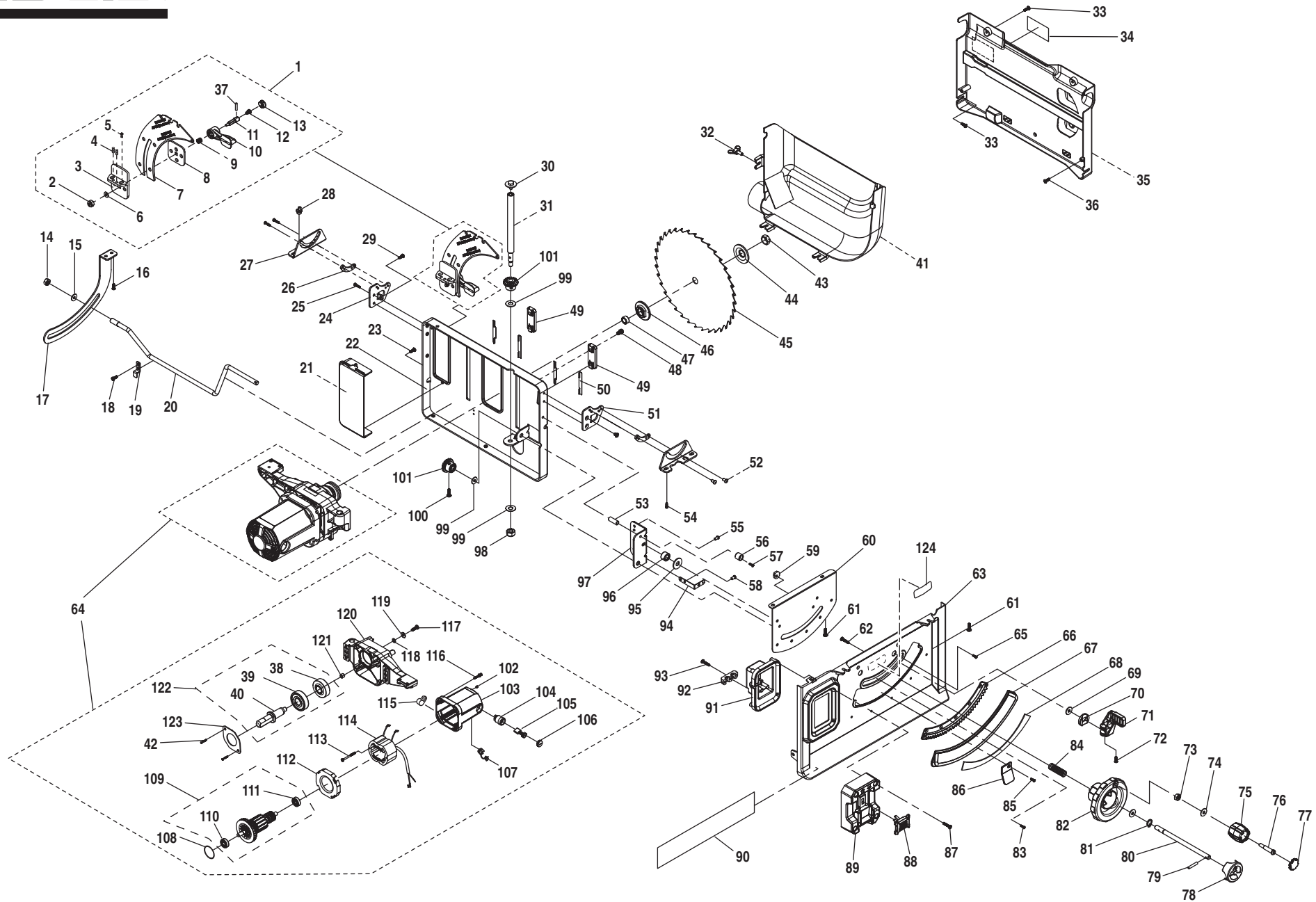
PARTS LIST FOR FIGURE A

Key No.	Part Number	Description	Qty.
1	089110113099	Power Cord	1
2	089110113060	Strain Relief	1
3	089110113084	Screw (M5 x 16 mm, Pan Hd.)	2
4	089037006018	Left Panel	1
5	089037006023	Wheel.....	2
6	089110113088	Screw (M4 x 16 mm)	8
7	089110113081	Screw w/Washer (M6 x 40 mm)	6
8	089110113100	Washer (Arch)	2
9	089037006030	Slide Ring	4
10	089037006028	Handle Stop Screw (Nylon)	4
11	089037006027	Telescoping Handle	1
12	089037006051	Button.....	2
13	089037006029	End Plug (Handle).....	4
14	089037006020	Foot (Upper)	4
15	089037006021	Foot (Lower)	2
16	089110113077	Pad	4
17	089110113078	Washer	8
18	089110113190	Screw (M4 x 35 mm)	10
19	089037006022	Tube Frame.....	1

Key No.	Part Number	Description	Qty.
20	089110113082	Washer (Arch)	4
21	089037006050	Winged Foot.....	2
22	089110113085	Lock Spacer (Outer)	2
23	089110113086	Lock Spacer (Inner)	2
24	089110113087	Axle.....	1
25	410031710	Carriage Bolt (5/16-18 x 1-1/2 in.).....	1
26	0134010238	Knob Ring.....	1
27	0134010331	Blade Wrench (B).....	1
28	089110113061	Blade Wrench (A).....	1
29	0121010221	Knob.....	1
30	089110113119	Hex Key (M5 x 100 mm).....	1

NOT SHOWN

089037006914	Optional Dado Throat Plate.....	1
987000415	Operator's Manual.....	1
3-16-09		
(Rev:01)		





R4516

PARTS LIST FOR FIGURE B

Key No.	Part Number	Description	Qty.	Key No.	Part Number	Description	Qty.
1	089110113183	Riving Knife Assembly.....	1	36	089110113088	Screw (M4 x 16 mm)	2
2	411071001	Nylon Nut (M6)	1	37	089110113025	Roll Pin (D3 x 15 mm).....	1
3	089110113031	Riving Deck	1	38	089110113135	Reduction Gear	1
4	089110113030	Set Screw (M6 x 12 mm)	2	39	089110113136	Ball Bearing (163zz).....	1
5	089110113029	Screw (M6 x 20 mm, Hex Hd.)	2	40	0121010602	Arbor.....	1
6	089110113184	Washer	1	41	089110113069	Dust Housing.....	1
7	089037003174	Spreader/Riving Knife	1	42	089110113137	Screw w/Washer (M5 x 12 mm, Pan Hd.)	2
8	089110113028	Riving Clamp	1	43	0131010912	Hex Nut (5/8-18).....	1
9	089110113027	Riving Spring	1	44	089110113068	Outer Blade Washer	1
10	089110113026	Release Lever.....	1	45	089037006049	Blade	1
11	089110113024	Lock Bolt	1	46	089110113067	Inner Blade Washer	1
12	089110113023	Spring.....	1	47	0121010501	Spacer	1
13	089110113022	Cap Nut	1	48	089037006006	Screw (M6 x 20 mm, Cheese Hd.).....	4
14	411071004	Lock Nut (M10).....	1	49	089110113036	Elevation Slider.....	2
15	412011068	Washer	1	50	089110113037	Shim	4
16	410171706	Screw (10-24 x 1/2 in.)	2	51	089110113038	Front Pivot Plate.....	1
17	089110113074	Bracket.....	1	52	089110113039	Screw (M5 x 8 mm, Pan Hd.)	4
18	089110113073	Screw w/Washer (M4 x 8 mm, Pan Hd.)	2	53	089110113186	Spacer	1
19	089110113072	Location Plate	1	54	089110113176	Screw w/Washer (M6 x 18 mm, Hex Soc. Hd.).....	4
20	089110113071	Linkage Rod	1	55	089110113044	Screw w/Washer (M5 x 10 mm, Pan Hd.)	2
21	089110113034	Riving Housing	1	56	0134010503	Plate	1
22	089110113033	Lock Bracket	1	57	089037006047	Screw (M6 x 50 mm, Flat Hd.).....	1
23	089110113032	Screw (M4 x 18 mm)	1	58	089110113042	Screw w/Washer (M4 x 8 mm, Pan Hd.)	2
24	089110113020	Rear Pivot Plate.....	1	59	0134010339	Cam.....	2
25	089110113019	Screw (M5 x 10 mm, Flat Hd.).....	4	60	089110113048	Reinforcement Plate.....	1
26	089110113018	Trunnion Slider.....	2	61	089110113049	Screw w/Washer (M5 x 15 mm, Pan Hd.)	4
27	089110113017	Bevel Trunnion.....	2	62	089037006052	Screw (M4 x 10 mm)	3
28	0121010901	Eccentric Roller	1	63	089037006007	Front Panel (Inc. Key No. 90).....	1
29	089110113021	Screw w/Washer (M5 x 10 mm, Pan Hd.)	1	64	089110113700	Motor Assembly	1
30	089110113178	Screw w/Washer (1/4 in. x 1/2 in., Hex Hd.).....	1	65	410499007	Bolt (M5 x 8 mm, Button Hd.).....	2
31	089110113047	Elevation Rod	1	66	089037006053	Gear Rack.....	1
32	089110113070	Wing Bolt (M5 x 8 mm).....	3	67	089037006032	Bevel Scale Rack	1
33	089110113084	Screw (M5 x 16 mm, Pan Hd.)	4	68	089037006033	Bevel Scale Label.....	1
34	089037006912	Data Label	1	69	089110113124	Washer	1
35	089037006019	Right Panel (Inc. Key No. 34).....	1	70	089110113058	Pad.....	1

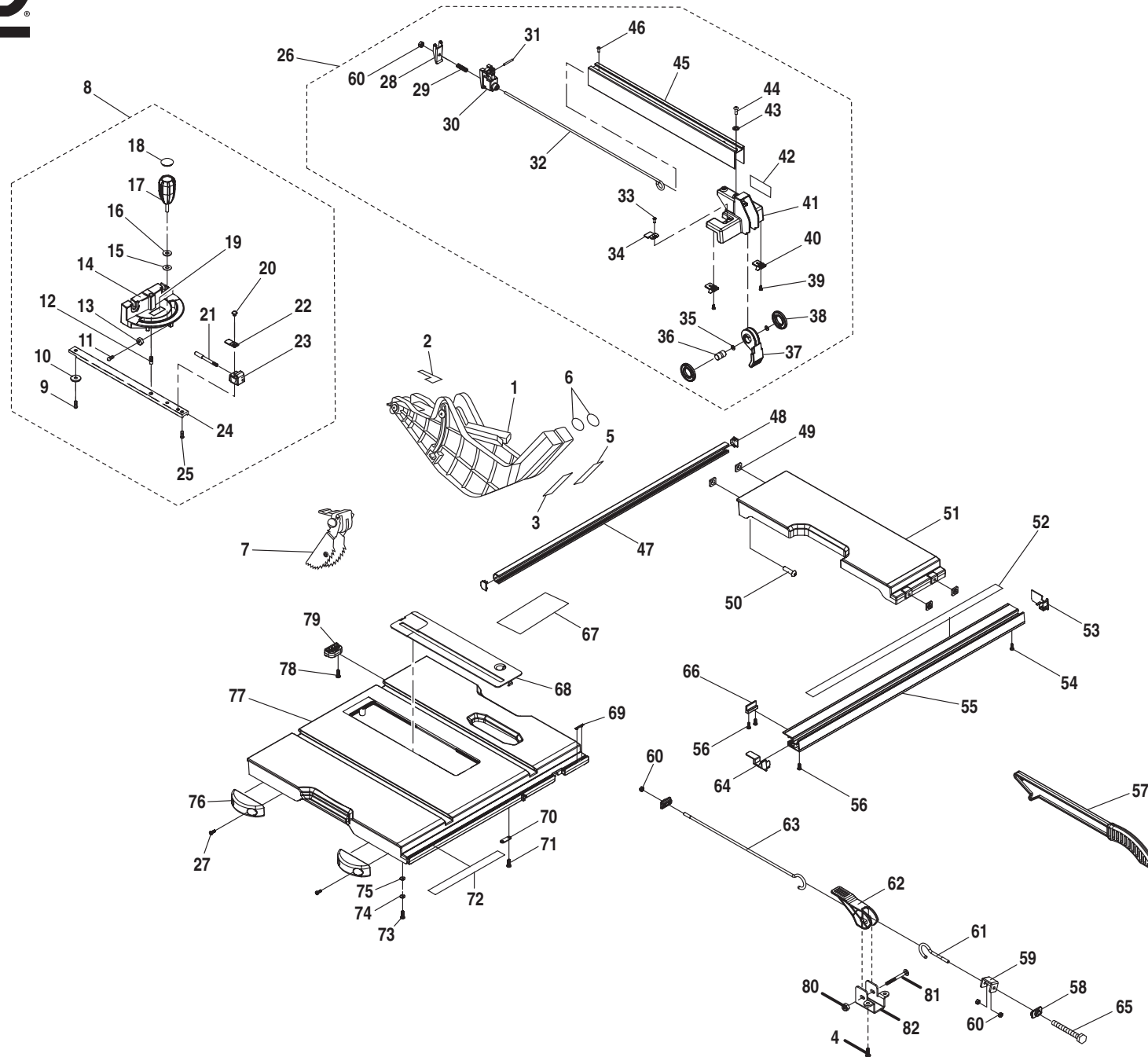


R4516

PARTS LIST FOR FIGURE B

Key No.	Part Number	Description	Qty.	Key No.	Part Number	Description	Qty.
71	089037006017	Bevel Lock Lever	1	98	411071709	Nylon Nut (3/8-16)	1
72	089110113056	Screw	1	99	412011068	Washer	4
73	411072702	Lock Nut (1/4-20)	1	100	089110113046	Screw (M4 x 20 mm, Pan Hd.)	2
74	412012041	Washer	1	101	089110113045	Bevel Gear.....	2
75	089037006016	Handwheel Grip.....	1	102	410071005	Set Screw (M5 x 8 mm).....	2
76	089037006015	Screw (Special)	1	103	0134010201	Motor Housing.....	1
77	089037006014	End Cap (Handle Grip)	1	104	089110113125	Brush Holder	2
78	089037006013	End Cap (Handwheel).....	1	105	0502025007	Brush Assembly	2
79	414011003	Spring Pin (D4 x 20 mm)	1	106	089110113126	Brush Cap	2
80	089110113055	Handwheel Rod.....	1	107	089110113130	Strain Relief	1
81	089110113054	Retaining Ring	1	108	441010012	O-Ring	1
82	089037006012	Height/Bevel Adjusting Handwheel.....	1	109	089110113706	Armature Assembly (Inc. 110 and 111)	1
83	410181001	Screw (M4 x 7 mm, Flat Hd.).....	7	110	089110113133	Ball Bearing (6201zlu).....	1
84	0101010907	Spring	1	111	089110113131	Ball Bearing (6200zz).....	1
85	089110113053	Screw (M4 x 10 mm, Pan Hd.)	1	112	0134010202	Baffle	1
86	089037006011	Bevel Indicator	1	113	089110113129	Screw w/Washer (M5 x 65 mm, Pan Hd.)	2
87	089037006048	Screw (M4 x 30 mm)	4	114	089110113127	Field Assembly.	1
88	089037006045	Switch Key	1	115	0121010242	Cord Clamp	1
89	089037006009	Switch Assembly (Inc. Key No. 88)	1	116	410271701	Screw w/Washer (3/16-32 x 1-3/8 in.).....	4
90	089037006911	Warning/Logo Label	1	117	410174721	Screw (8-32 x 3/8 in., Pan Hd.)	1
91	089037006010	Switch Box	1	118	412042002	External Tooth Lock Washer.....	1
92	0131010210	Cord Clamp	1	119	089037006034	Washer	1
93	0000120817	Screw (8-16 x 19.05 mm, Pan Hd.)	3	120	089110113134	Gear Housing	1
94	089110113041	Indicator Bracket.....	1	121	420110004	Needle Bearing.....	1
95	412011117	Washer	1	122	089110113707	Arbor Shaft Assembly (Inc. 38-40).....	1
96	0134010236	Lock Ring	1	123	0134010343	Arbor Plate	1
97	089110113043	Bracket	1	124	089037006916	Bevel Lock Lever Label	1

FIGURE C





R4516

PARTS LIST FOR FIGURE C

Key No.	Part Number	Description	Qty.	Key No.	Part Number	Description	Qty.
1	089037006700	Blade Guard Assembly (Inc. Key Nos. 2-6).....	1	36	0134010241	Axle Clamp	1
2	089110113915	Upper Barrier Warning Label.....	1	37	089037006037	Lock Lever.....	1
3	089110113914	End Side Barrier Warning Label (Left)	1	38	0121010210	Pad.....	2
4	410251017	Screw w/Washer (M6 x 12 mm, Pan Hd.)	2	39	089110113146	Screw (8-32 x 1/2 in., Flat Hd.).....	4
5	089110113917	End Side Barrier Warning Label (Right).....	1	40	0134010218	Fence Slider	2
6	089110113913	No Hands Warning Label	2	41	089037006036	Front Block	1
7	089110113180	Anti-Kickback Pawls Assembly.....	1	42	089037006054	Fence Logo Label.....	1
8	089037006702	Miter Gauge Assembly.....	1	43	412011030	Washer	2
9	410102014	Screw (M6 x 8 mm, Flat Hd.).....	1	44	410051001	Screw (M6 x 15 mm, Truss Hd.)	2
10	0131010928	Washer	1	45	089110113142	Rip Fence Body.....	1
11	410132734	Screw (3/16-24 x 21.7 mm, Pan Hd.).....	3	46	089110113148	Screw (M4 x 16 mm)	1
12	089110113150	Pivot Pin	1	47	089110113002	Rear Rail.....	1
13	411012704	Lock Nut (3/16-24)	3	48	089037006046	Rail End Cap (Rear).....	2
14	089037006040	Miter Gauge Body	1	49	0134010308	Rail Holder Nut.....	4
15	412080702	Washer (Nylon)	1	50	410341004	Screw w/Washer (M6 x 15 mm, Hex Soc. Hd.).....	4
16	412012705	Washer	1	51	089037006002	Sliding Extension Table	1
17	089037006038	Knob.....	1	52	089037006026	Scale Label (Long).....	1
18	089037006039	End Cap (Miter Gauge Lock Knob)	1	53	089037006003	Rail End Cap (Right Front).....	1
19	089037006042	Miter Gauge Label.....	1	54	410561014	Screw (M4 x 5 mm)	1
20	089110113151	Screw (M4 x 8 mm)	1	55	089110113005	Front Rail	1
21	0101010918	Stop Pin.....	1	56	410561004	Screw (M4 x 12 mm)	3
22	0131010329	Pointer	1	57	080900101155	Push Stick	1
23	0121010204	Indicator Bracket.....	1	58	0134010206	Lock Block.....	2
24	089037006041	Miter Gauge Rod	1	59	0134010332	Adjusting Plate	1
25	410102701	Screw (M4 x 12 mm, Flat Hd.).....	2	60	411071001	Nylon Nut (M6).....	4
26	089037006701	Rip Fence Assembly.....	1	61	089110113010	Short Linkage	1
27	089110113016	Screw w/Washer (1/4-20 x 5/8 in., Pan Hd.)	4	62	089037006005	Table Locking Lever	1
28	089110113139	Rear Clamp	1	63	089110113013	Long Linkage.....	1
29	0121010915	Compression Spring.....	1	64	0134010219	Scale Indicator	1
30	089037006035	Rear Plate.....	1	65	089110113009	Screw (M6 x 70 mm, Hex Hd.)	1
31	089110113147	Pin (D4 x 31 mm).....	1	66	0134010242	Front Rail Stop	1
32	089110113141	Linkage.....	1	67	089110113918	Floor Label.....	1
33	089110113143	Screw w/Washer (M4 x 10 mm, Pan Hd.)	1	68	089037006004	Throat Plate.....	1
34	089110113144	Fence Indicator.....	1	69	0134010213	Slider	5
35	412011115	Washer	2	70	0134010304	Shim	1



R4516

PARTS LIST FOR FIGURE C

Key No.	Part Number	Description	Qty.	Key No.	Part Number	Description	Qty.
71	089110113008	Screw (10-24 x 1/2 in.)	2				
72	089037006025	Scale Label (Short)	1				
73	089110113093	Screw (8-32 x 3/8 in., Pan Hd.)	2				
74	089110113120	Washer	2				
75	089110113094	External Tooth Lock Washer.....	2				
76	0131010224	Bumper.....	2				
77	089037006044	Saw Table	1				
78	089110113015	Screw (M6 x 20 mm, Hex Hd.)	6				
79	0134010223	Rear Rail Holder	3				
80	411071001	Nylon Nut (M6)	1				
81	410031002	Carriage Bolt (M6 x 40 mm)	1				
82	089110113012	Bracket	1				