

**RIDGID  
R4513 TABLE SAW  
REPAIR SHEET**

**RIDGID  
SCIE À TABLE R4513  
FEUILLE DE RÉPARATION**

**RIDGID  
SIERRA DE MESA R4513  
LISTAS DE PIEZAS DE REPUESTO**

**ONE WORLD TECHNOLOGIES, INC.**

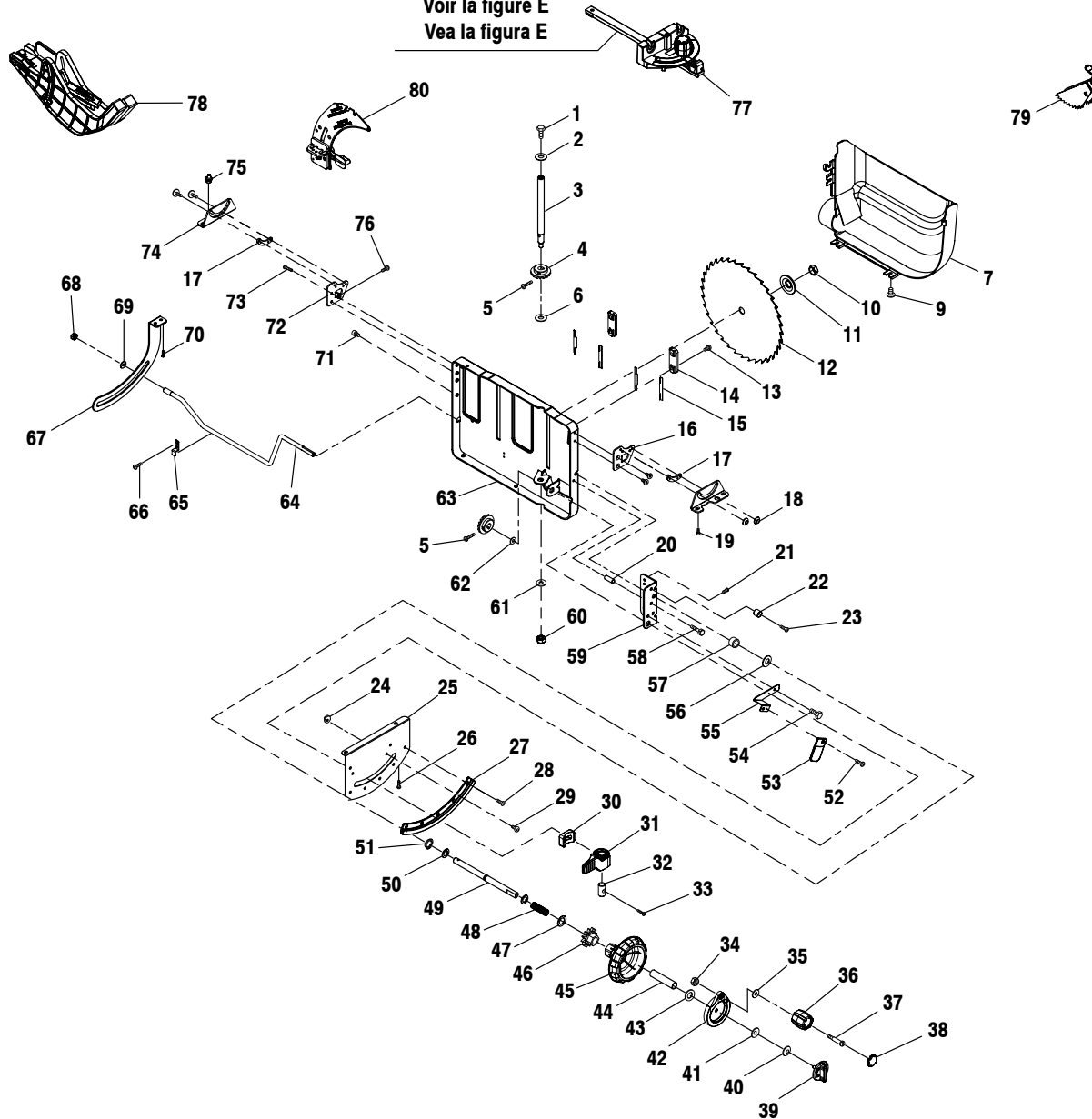
P.O. Box 1427

Anderson, SC 29622, USA

1-866-539-1710 ■ [www.RIDGID.com](http://www.RIDGID.com)

FIGURE A  
FIGURA A

See Figure E  
Voir la figure E  
Vea la figura E



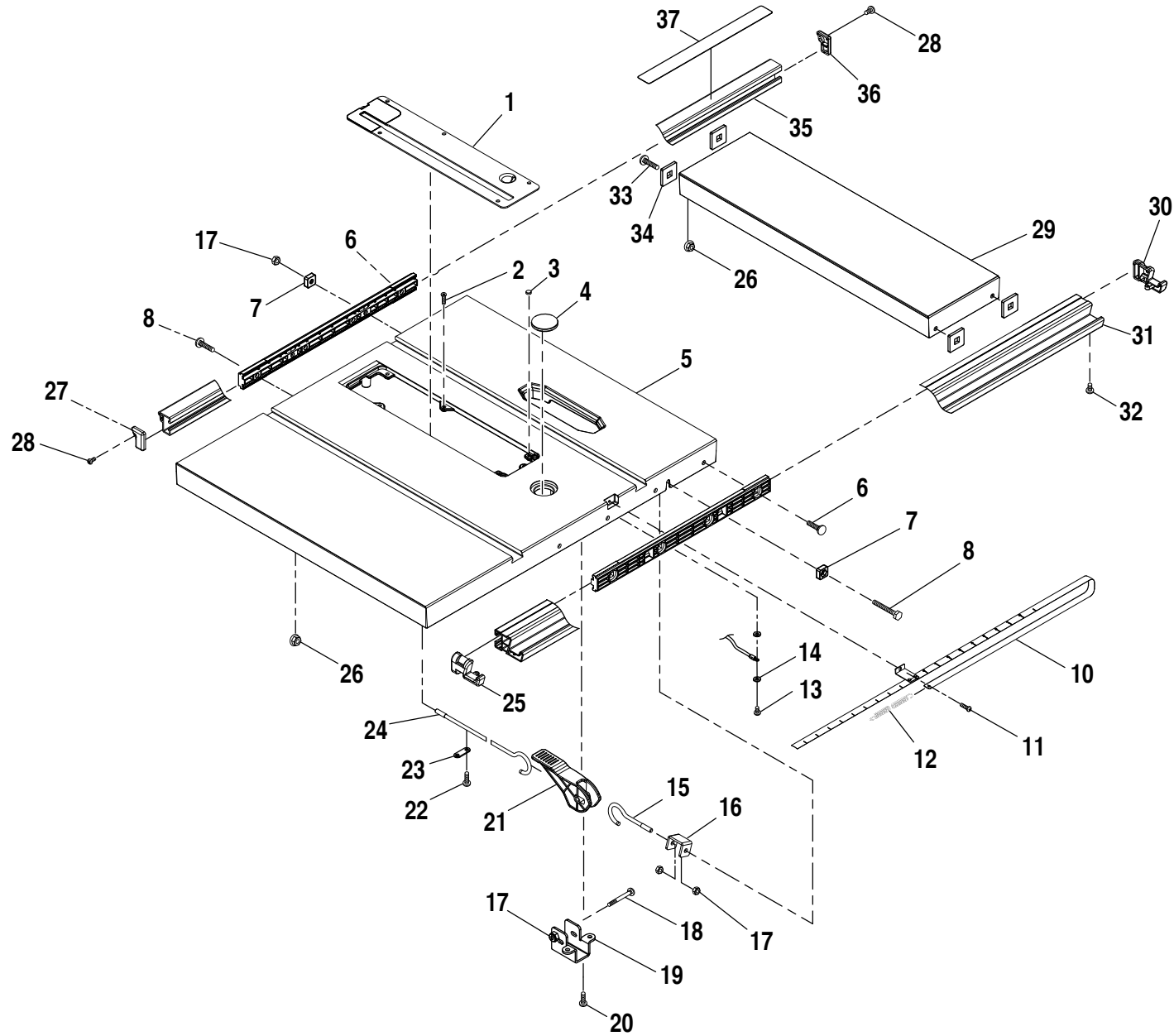


R4513

PARTS LIST FOR FIGURE A

KEY PART NO. NUMBER	DESCRIPTION	QTY.	KEY PART NO. NUMBER	DESCRIPTION	QTY.	KEY PART NO. NUMBER	DESCRIPTION	QTY.			
1	089290001028	Screw (1/4-20 x 1/2 in., Hex Hd.).....	1	29	089290001045	Screw (M6 x 8 mm, Hex Soc. Hd.)... 2	59	089290001067	Mount Bracket ..... 1		
2	089290001029	Washer (ID6.5 x OD25 x 1.6t).....	1	30	089290001046	Handle Lock Bracket ..... 1	60	089290001068	Lock Nut (3/8-16) ..... 1		
3	089290001030	Elevation Rod.....	1	31	089290001047	Lock Lever ..... 1	61	089290001069	Washer (ID10 x OD22 x 1t)..... 1		
4	089290001031	Elevation Gear.....	2	32	089290001048	Handle Lock Pin.....	1	62	089290001095	Washer (ID12 x OD22 x 0.8t)..... 1	
5	089110102084	Screw (8-32 x 1 in.).....	2	33	089290001049	Screw w/Washer (M5 x 15 mm).....	1	63	089290001070	Elevation Box ..... 1	
6	089290001032	Lock Spacer.....	1	34	089290001050	Lock Nut (1/4-20).....	1	64	089290001071	Lock Rod.....	1
7	089110113069	Dust Chute.....	1	35	089110102182	Washer (ID6.5 x OD13 x 1.5t).....	1	65	089110113072	Position Bracket.....	1
8	089290001910	Instruction Label.....	1	36	089037006016	Knob.....	1	66	089290001517	Screw w/Washer (M4 x 8 mm, Pan Hd.).....	2
9	089290001033	Screw (M5 x 8 mm, Pan Hd.).....	2	37	089290001051	Hand Wheel Knob Screw.....	1	67	089110113074	Rear Support.....	1
10	089025005076	Arbor Nut (5/8-18).....	1	38	089037006014	End Cap.....	1	68	089110102129	Lock Nut (M10).....	1
11	089037012099	Outer Blade Washer.....	1	39	089290001052	Elevation Lock.....	1	69	089290001073	Washer (ID10 x OD22 x 1t).....	1
12	089290001035	Blade (36T).....	1	40	089290001053	Pan Washer (ID6.4 x OD12.5 x 0.5t).....	1	70	089037012089	Screw (10-24 X 1/2 in., Pan Hd.).....	2
13	089290001519	Screw w/Washer (M6 x 25 mm, Hex Hd.).....	4	41	089110102182	Washer (ID6.5 x OD13 x 1.5t).....	1	71	089290001074	Screw (Special).....	1
14	089110113036	Elevation Bracket.....	2	42	089290001054	Handwheel.....	1	72	089110113020	Rear Pivot Plate.....	1
15	089110113037	Bushing.....	4	43	089290001019	Washer (ID13.1 x OD21.9 x 1.5t).....	2	73	089290001075	Screw (M5 x 10 mm, Pan Hd.).....	4
16	089110113038	Front Pivot Plate.....	1	44	089290001055	Spacer Tube.....	1	74	089110113017	Angle Guide.....	2
17	089110113018	Bevel Pivot Bracket.....	2	45	089290001056	Bevel Wheel.....	1	75	089110101022	Eccentric Shaft.....	1
18	089290001036	Screw (M5 x 8 mm, Pan Hd.).....	4	46	089290001057	Bevel Gear.....	1	76	089290001076	Screw w/Washer (M5 x 10 mm, Pan Hd.).....	2
19	089110113176	Screw w/Washer (M6 x 20 mm, Hex Soc. Hd.).....	4	47	089110101108	Washer (ID16 x OD25 x 1.5t).....	2	77	089290001708	Miter Gauge Assembly.....	1
20	089290001037	Short Spacer.....	1	48	089290001058	Compression Spring.....	1	78	089037007700	Blade Guard Assembly.....	1
21	089290001038	Screw w/Washer (M5 x 10 mm, Pan Hd.).....	2	49	089290001059	Bevel Rod.....	1	79	089290001710	Anti-Kickback Pawl Assembly.....	1
22	089290001039	Spacer.....	1	50	089290001060	Washer (ID13 x OD22 x 1t).....	1	80	089290001711	Riving Knife Assembly.....	1
23	089290001040	Screw (M6 x 25 mm, Pan Hd.).....	1	51	089037007062	C-Ring.....	1	<b>NOT SHOWN:</b>			
24	089290001041	Cam.....	2	52	089290001061	Screw (M4 x 8 mm, Pan Hd.).....	1	089290001097	Hex Key (5 mm)		
25	089290001042	Support Plate.....	1	53	089290001062	Indicator.....	1	089290001098	Hex Key (4 mm)		
26	089110113049	Screw w/Washer (M5 x 15 mm, Pan Hd.).....	2	54	089290001063	Screw (M5 x 12 mm, Hex Hd.).....	1	089290001183	Optional Dado Throat Plate		
27	089290001044	Blade Support Bracket.....	1	55	089290001064	Indicator Bracket.....	1	988000933	Operator's Manual		
28	089110102150	Screw (M4 x 7 mm).....	5	56	089110102278	Washer (ID10 x OD23 x 2t).....	1	5-4-18			
				57	089290001065	Lock Ring.....	1	(Rev:06)			
				58	089290001066	Screw (M6 x 35 mm, Hex Hd.).....	1				

FIGURE B  
FIGURA B

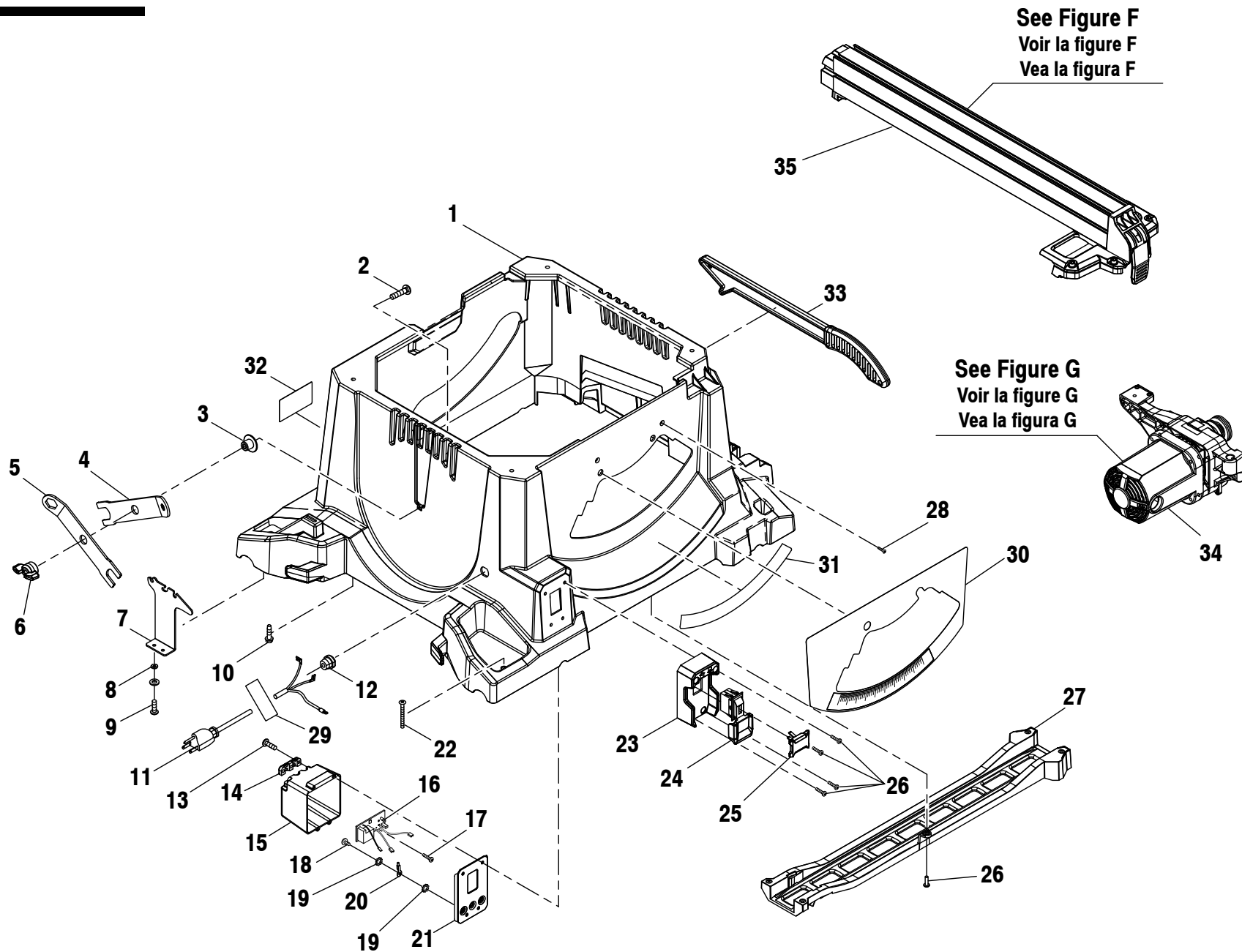




R4513

PARTS LIST FOR FIGURE B

KEY NO.	PART NUMBER	DESCRIPTION	QTY.	KEY NO.	PART NUMBER	DESCRIPTION	QTY.
1	089290001700	Throat Plate Assembly .....	1	20	089110102033	Screw w/Washer (M6 x 12 mm, Pan Hd.) .....	2
2	089290001004	Screw (M4 x 12 mm, Pan Hd.) .....	5	21	089037006005	Extension Table Lock Lever.....	1
3	089037011004	Magnet .....	2	22	089037012089	Screw (10-24 x 1/2 in., Pan Hd.) .....	2
4	089290001006	Ind-I-Cut™ .....	1	23	089110102122	Bushing .....	1
5	089290001007	Table Assembly .....	1	24	089290001023	Rear Locking Link.....	1
6	089290001027	Front and Rear Rail Support.....	2	25	089290001021	Front End Cap (Left) .....	1
7	089290001017	Lock Block.....	2	26	089290001024	Lock Nut (1/4-20) .....	10
8	089290001026	Carriage Bolt (1/4-20 x 1 in.) .....	6	27	089290001025	Rear Rail End Cap (Right).....	1
9	089290001018	Screw (M6 x 60 mm, Hex Hd.) .....	1	28	089290001012	Screw (M4 x 12 mm, Pan Hd.) .....	2
10	089290001905	Rip Scale .....	1	29	089290001301	Table Extension .....	1
11	089110101220	Screw (8-32 x 3/8 in., Pan Hd.) .....	1	30	089290001014	Front End Cap (Right).....	1
12	089290001020	Tension Spring.....	1	31	089290001015	Front Rail .....	1
13	089110101220	Screw (8-32 x 3/8 in., Pan Hd.) .....	1	32	089290001016	Screw (M4 x 8 mm, Pan Hd.) .....	2
14	089110101059	External Tooth Lock Washer (D4).....	2	33	089290001009	Carriage Bolt (1/4-20 x 1 in.) .....	4
15	089290001022	Front Locking Link.....	1	34	089290001008	Clamp .....	4
16	089037012090	Adjustment Block.....	1	35	089290001010	Rear Rail .....	1
17	089110101101	Lock Nut (M6).....	4	36	089290001011	End Cap (Right) .....	1
18	089110102031	Carriage Bolt (M6 x 40 mm) .....	1	37	089290001906	Warning Label .....	1
19	089110113012	Lever Holder.....	1				

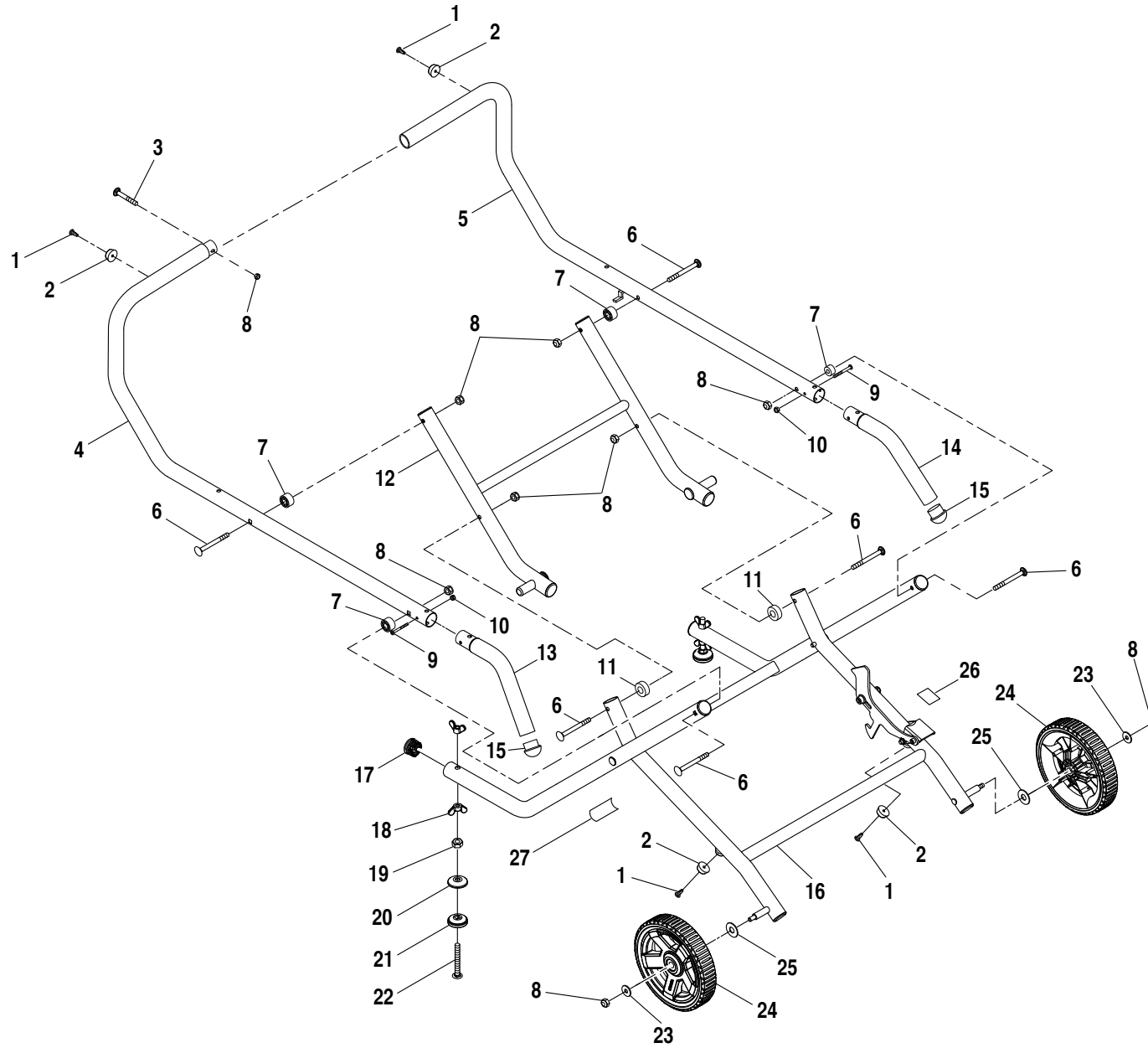




R4513

PARTS LIST FOR FIGURE C

KEY NO.	PART NUMBER	DESCRIPTION	QTY.	KEY NO.	PART NUMBER	DESCRIPTION	QTY.
1	089290001078	Cabinet.....	1	19	089110101059	External Tooth Lock Washer (D4).....	6
2	089110101070	Carriage Bolt (5/16-18 x 1-1/2 in.).....	1	20	089290001087	Ground Wire.....	1
3	089110101075	Knob Ring.....	1	21	089290001086	Switch Support.....	1
4	089240020104	Wrench B.....	1	22	089290001096	Screw (M6 x 60 mm, Hex Soc. Hd.).....	4
5	089240020103	Wrench A.....	1	23	089290001085	Switch Panel.....	1
6	089290001094	Wing Nut.....	1	24	089290001701	Switch w/Key (Inc. Key No. 25).....	1
7	089290001092	Accessory Plate.....	1	25	089290001083	Switch Key.....	1
8	089290001091	External Tooth Lock Washer (D5).....	2	26	410601004	Screw (M4 x 18 mm, Pan Hd.).....	9
9	089290001090	Screw (M5 x 12 mm, Pan Hd.).....	2	27	089290001082	Fence Bracket.....	1
10	089290001093	Screw (M6 x 25 mm, Cheese Hd.).....	4	28	089110102150	Screw (M4 x 7 mm).....	2
11	089290001191	Power Cord.....	1	29	089037007902	Cord Wrap Label.....	1
12	089110101205	Strain Relief.....	1	30	089290001907	Front Label.....	1
13	089110101067	Screw (8-16 x 19.05 mm, Pan Hd.).....	3	31	089290001902	Warning Label.....	1
14	089110101069	Cord Clamp.....	1	32	089290001903	Data Label.....	1
15	089290001088	Switch Box.....	1	33	089290001079	Push Stick.....	1
16	089290001713	Soft Start Assembly.....	1	34	089290001716	Motor Assembly.....	1
17	089290001178	Screw (M5 x 40 mm).....	1	35	089290001707	Rip Fence.....	1
18	080015001495	Screw (M4 x 8 mm, Pan Hd.).....	3				

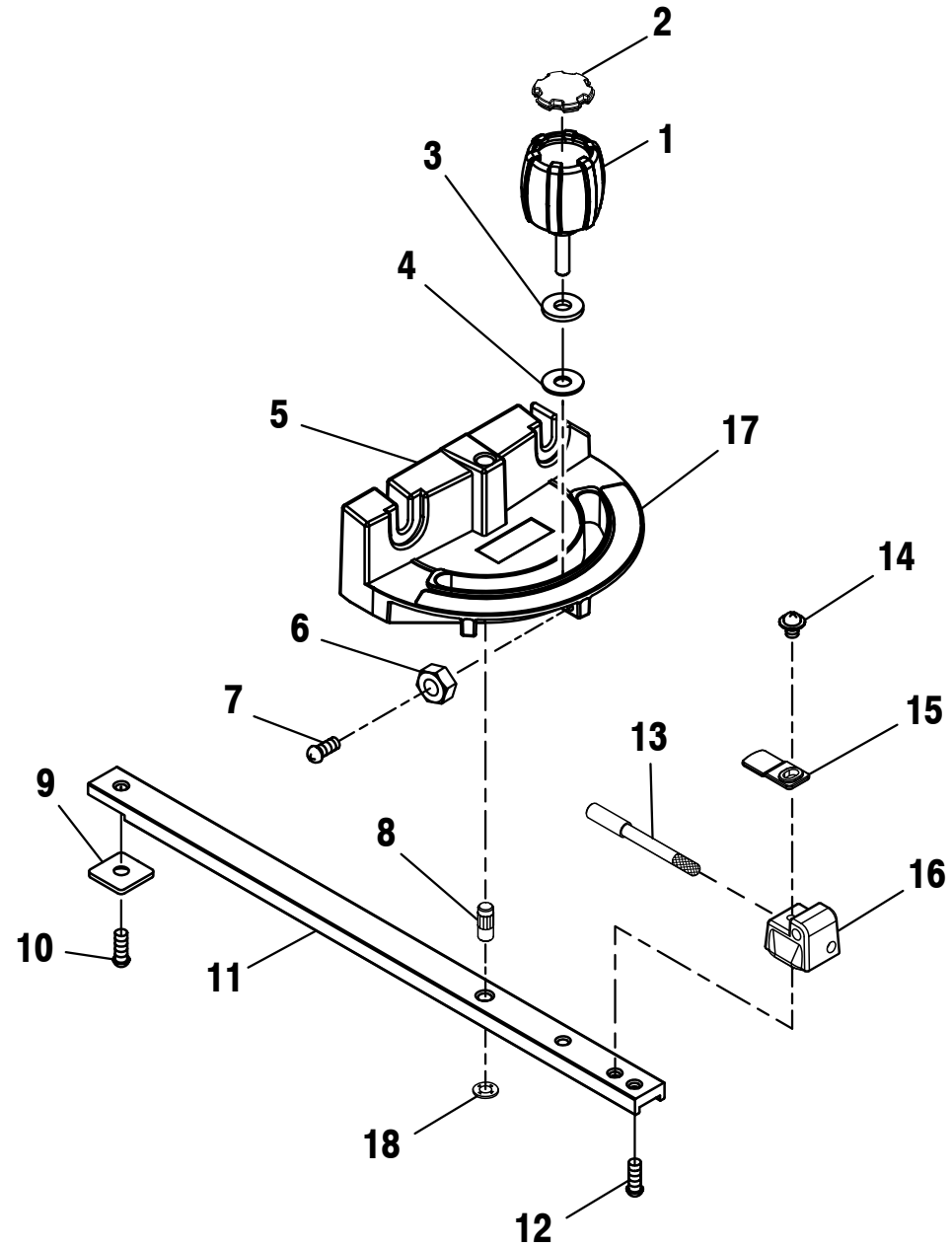




### PARTS LIST FOR FIGURE D / LISTE DE PIÈCES POUR FIGURE D / LISTA DE PIEZAS DE LA FIGURA D

KEY	P/N	DESCRIPTION	QTY	PIÈCE RÉF.	DESCRIPTION	QTÉ	REF. N/P	DESCRIPCIÓN	CANT.
1	089290001306	Screw (M5 x 12 mm, Pan Hd.).....	4	1 089290001306	Vis (M5 x 12 mm, tête bombée).....	4	1 089290001306	Tornillo (M5 x 12 mm, cab. trunc.).....	4
2	089290001144	Foot.....	4	2 089290001144	Pied.....	4		Pie.....	4
3	089290001303	Carriage Bolt (M8 x 40 mm).....	1	3 089290001303	Carriage Bolt (M8 x 40 mm).....	1	2 089290001144		4
4	089290001304	Left Frame Assembly.....	1	4 089290001304	Ensemble de cadre gauche.....	1	3 089290001303	Carriage Bolt (M8 x 40 mm).....	1
5	089290001305	Right Frame Assembly.....	1	5 089290001305	Ensemble de cadre droite.....	1	4 089290001304	Conjunto de la armazón de la izquierda .....	1
6	089290001158	Carriage Bolt (M8 x 83 mm).....	6	6 089290001158	Boulon de carrossier (M8 x 83 mm).....	6	5 089290001305	Conjunto de la armazón de la derecho.....	1
7	089290001174	Spacer .....	4						
8	089290001168	Lock Nut (M8) .....	9	7 089290001174	Pièce d'écartement .....	4	6 089290001158	Perno de carruaje (M8 x 83 mm) ...	6
9	089290001179	Screw (M5 x 40 mm).....	2	8 089290001168	Écrou de blocage (M8) .....	9	7 089290001174	Separador.....	4
10	089110102141	Lock Nut (M5) .....	2	9 089290001179	Vis (M5 x 40 mm).....	2	8 089290001168	Tuerca de seguridad (M8).....	9
11	089290001159	Spacer .....	2	10 089110102141	Écrou de blocage (M5) .....	2	9 089290001179	Tornillo (M5 x 40 mm) .....	2
12	089290001152	Support Frame Assembly.....	1	11 089290001159	Pièce d'écartement .....	2	10 089110102141	Tuerca de seguridad (M5).....	2
13	089290001148	Left Lever.....	1	12 089290001152	Ensemble de cadre de support ....	1	11 089290001159	Separador.....	2
14	089290001149	Right Lever.....	1	13 089290001148	Levier gauche .....	1	12 089290001152	Conjunto de armazón de soporte..	1
15	089290001150	End Cap.....	2	14 089290001149	Levier droite.....	1	13 089290001148	Palanca izquierdo .....	1
16	089290001719	Lower Stand Assembly.....	1	15 089290001150	Capuchon d'extrémité.....	2	14 089290001149	Palanca derecho.....	1
17	089290001151	Rail End Cap.....	12	16 089290001719	Ensemble de stand inférieure.....	1	15 089290001150	Tapa del extremo .....	2
18	089290001153	Wing Nut (3/8 in.) .....	4	17 089290001151	Capuchon d'extrémité de barre... 12	12	16 089290001719	Conjunto del banco inferior .....	1
19	089290001154	Lock Nut (3/8 in.) .....	2	18 089290001153	Écrou papillon (3/8 po) .....	4	17 089290001151	Tapa extremo de riel .....	12
20	089290001155	Support Cap .....	2	19 089290001154	Écrou de blocage (3/8 po) .....	2	18 089290001153	Tuerca de mariposa (3/8 pulg.).....	4
21	089290001156	Foot.....	2	20 089290001155	Capuchon de support.....	2	19 089290001154	Tuerca de seguridad (3/8 pulg.).....	2
22	089290001157	Foot Screw.....	2	21 089290001156	Pied.....	2	20 089290001155	Tapa de soporte.....	2
23	089290001177	Washer (ID8.5 x OD18 x 1.6t) .....	2	22 089290001157	Vis pied.....	2	21 089290001156	Pie.....	2
24	089290001176	Wheel.....	2	23 089290001177	Rondelle (ID8.5 x OD18 x 1.6t) .....	2	22 089290001157	Tornillo Pie.....	2
25	089290001175	Washer (ID13 x OD32 x 1.5t) .....	2	24 089290001176	Roues .....	2	23 089290001177	Arandela (ID8.5 x OD18 x 1.6t).....	2
26	080037004901	Unlock Label.....	1	25 089290001175	Rondelle (ID13 x OD32 x 1.5t) .....	2	24 089290001176	Rueda .....	2
27	089290001901	Logo Label.....	1	26 080037004901	Étiquette de déverrouiller.....	1	25 089290001175	Arandela (ID13 x OD32 x 1.5t).....	2
				27 089290001901	Étiquette du logo .....	1	26 080037004901	Etiqueta de desasegurar .....	1
							27 089290001901	Etiqueta del logotipo .....	1

FIGURE E  
FIGURA E

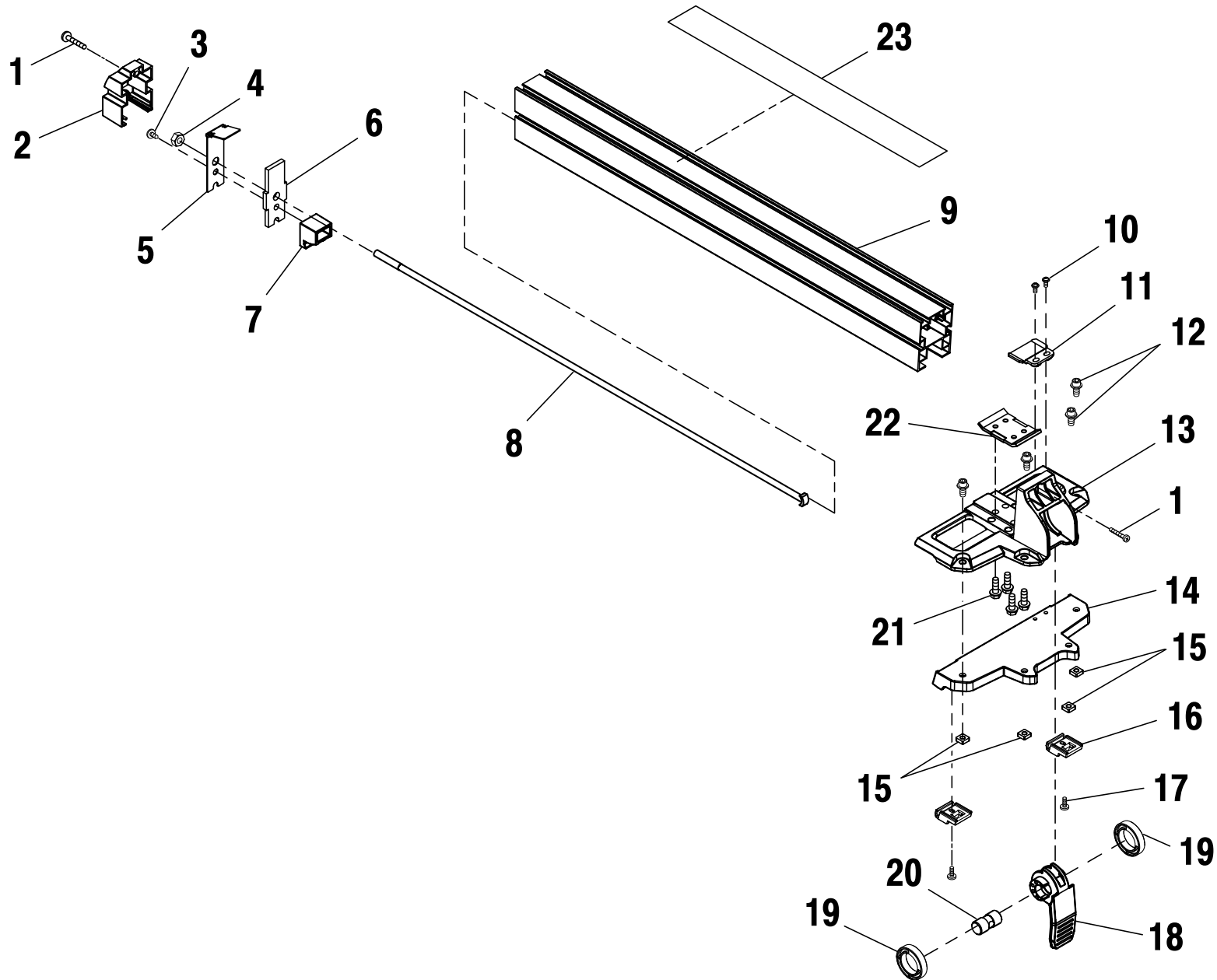




R4513

PARTS LIST FOR FIGURE E / LISTE DE PIÉCES POUR FIGURE E / LISTA DE PIEZAS DE LA FIGURA E

KEY	P/N	DESCRIPTION	QTY	PIÈCE RÉF.	DESCRIPTION	QTÉ	REF. N/P	DESCRIPCIÓN	CANT.
1	089037006038	Miter Gauge Knob .....	1	1 089037006038	Bouton du guide d'onglet .....	1	1 089037006038	Perilla del guía de ingletes .....	1
2	089037006014	End Cap .....	1	2 089037006014	Capuchon d'extrémité .....	1	2 089037006014	Tapa del extremo .....	1
3	089110101123	Washer (ID1/4 x OD16 x 1.5t) .....	1	3 089110101123	Rondelle (ID1/4 x OD16 x 1.5t) .....	1	3 089110101123	Arandela (ID1/4 x OD16 x 1.5t) .....	1
4	080015001475	Lock Washer (ID6.5 x OD16 x 2t)..	1	4 080015001475	Rondelle frein (ID6.5 x OD16 x 2t) .....	1	4 080015001475	Arandela de seguridad (ID6.5 x OD16 x 2t) .....	1
5	089290001126	Miter Table .....	1	5 089290001126	Table d'onglet .....	1	5 089290001126	Mesa de ingletes.....	1
6	089110101133	Hex Nut (3/16-24) .....	3	6 089110101133	Écrou six pans (3/16-24).....	3	6 089110101133	Tuerca hexagonal (3/16-24) .....	3
7	089110101134	Screw (3/16-24 x 21.7 mm, Pan Hd.) .....	3	7 089110101134	Vis (3/16-24 x 21.7 mm, tête bombée).....	3	7 089110101134	Tornillo (3/16-24 x 21.7 mm, cab. tronc.) ..	3
8	089290001180	Pin.....	1	8 089290001180	Broche .....	1	8 089290001180	Pasador.....	1
9	089290001127	Guide Block .....	1	9 089290001127	Bloc de guidage.....	1	9 089290001127	Bloque guía.....	1
10	089290001128	Screw (M6 x 8 mm, Pan Hd.).....	1	10 089290001128	Vis (M6 x 8 mm, tête bombée).....	1	10 089290001128	Tornillo (M6 x 8 mm, cab. tronc.) ..	1
11	089290001129	Miter Gauge Rod .....	1	11 089290001129	Tige d'indicateur d'onglet .....	1	11 089290001129	Varilla guía de ingletes .....	1
12	089290001130	Screw (M4 x 12 mm, Flat Hd.) .....	2	12 089290001130	Vis (M4 x 12 mm, à tête plate) .....	2	12 089290001130	Tornillo (M4 x 12 mm, cab. plana).2	2
13	089110101128	Pin.....	1	13 089110101128	Broche .....	1	13 089110101128	Pasador.....	1
14	080015001562	Screw (M4 x 8 mm).....	1	14 080015001562	Vis (M4 x 8 mm) .....	1	14 080015001562	Tornillo (M4 x 8 mm) .....	1
15	089290001131	Indicator.....	1	15 089290001131	Indicateur.....	1	15 089290001131	Indicador.....	1
16	089110103203	Indicator Bracket .....	1	16 089110103203	Supporte de indicateur .....	1	16 089110103203	Support de indicador.....	1
17	089037006904	Miter Gauge Scale .....	1	17 089037006904	Chelle de guide d'onglet.....	1	17 089037006904	Escala de guía de ingletes.....	1
18	089041001016	Tinnerman Nut .....	1	18 089041001016	Écrou de Tinnerman.....	1	18 089041001016	Tuerca de la Tinnerman .....	1

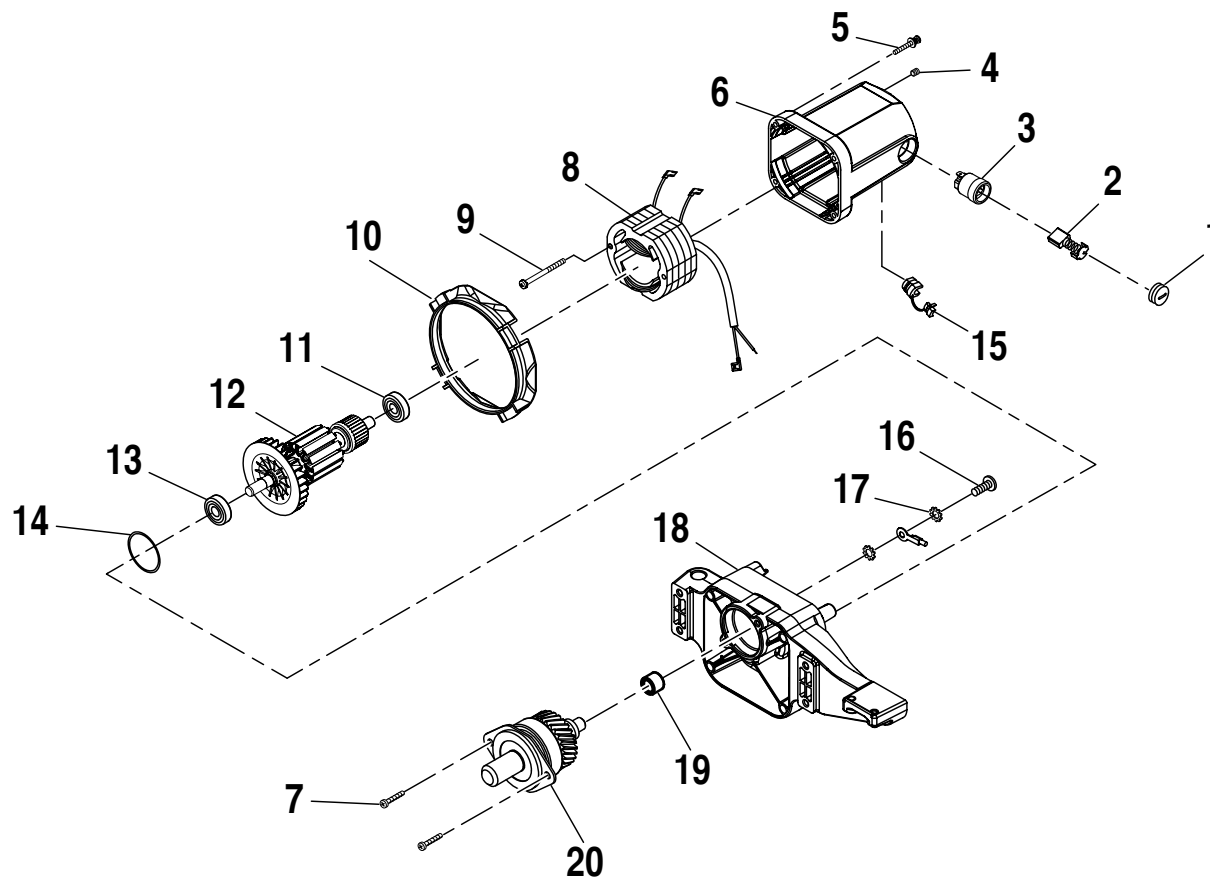




R4513

PARTS LIST FOR FIGURE F / LISTE DE PIÈCES POUR FIGURE F / LISTA DE PIEZAS DE LA FIGURA F

KEY	P/N	DESCRIPTION	QTY	PIÈCE RÉF.	DESCRIPTION	QTÉ	REF. N/P	DESCRIPCIÓN	CANT.
1	089290001105	Screw (M4 x 25 mm, Pan Hd.).....	2	1 089290001105	Vis (M4 x 25 mm, tête bombée)....	2	1 089290001105	Tornillo (M4 x 25 mm, cab. trunc.).....	2
2	089290001106	Rear End Cap .....	1	2 089290001106	Capuchon d'extrémité arrière.....	1	2 089290001106	Tapa extremo trasero .....	1
3	080009022038	Screw (M5 x 16 mm, Pan Hd.).....	1	3 080009022038	Vis (M5 x 16 mm, tête bombée)....	1	3 080009022038	Tornillo (M5 x 16 mm, cab. trunc.).....	1
4	089290001107	Lock Nut (M8) .....	1	4 089290001107	Écrou de blocage (M8).....	1	4 089290001107	Tuerca de seguridad (M8) .....	1
5	089290001108	Spring Plate .....	1	5 089290001108	Plaque à ressort.....	1	5 089290001108	Placa de resorte.....	1
6	089290001109	Lock Plate .....	1	6 089290001109	Plaque de verrouillage .....	1	6 089290001109	Placa de fijación.....	1
7	089290001110	Lock Bracket.....	1	7 089290001110	Support de verrouillage .....	1	7 089290001110	Soporte de seguro .....	1
8	089290001111	Linkage .....	1	8 089290001111	Lien .....	1	8 089290001111	Conexión.....	1
9	089290001112	Rip Fence.....	1	9 089290001112	Guide longitudinal.....	1	9 089290001112	Guía de corte al hilo.....	1
10	089290001113	Screw (M4 x 10 mm, Pan Hd.).....	2	10 089290001113	Vis (M4 x 10 mm, tête bombée)....	2	10 089290001113	Tornillo (M4 x 10 mm, cab. trunc.).....	2
11	089290001114	Fence Indicator.....	1	11 089290001114	Indicateur de guide.....	1	11 089290001114	Indicador de la guía .....	1
12	089290001115	Screw (M6 x 15 mm, Hex Soc. Hd.) .....	4	12 089290001115	Vis (M6 x 15 mm, à tête creuse hex.) .....	4	12 089290001115	Tornillo (M6 x 15 mm, cab. hue. hex.) .....	4
13	089290001116	Upper Fence Bracket.....	1	13 089290001116	Support supérieur de guide .....	1	13 089290001116	Soporte superior de guía .....	1
14	089290001117	Lower Fence Bracket.....	1	14 089290001117	Support inférieur de guide .....	1	14 089290001117	Soporte inferior de guía .....	1
15	089290001118	Square Nut (M6).....	4	15 089290001118	Écrou carré (M6) .....	4	15 089290001118	Tuerca cuadrada (M6) .....	4
16	089290001119	Slider.....	2	16 089290001119	Glisse .....	2	16 089290001119	Corredera.....	2
17	089290001120	Screw (M5 x 10 mm).....	2	17 089290001120	Vis (M5 x 10 mm) .....	2	17 089290001120	Tornillo (M5 x 10 mm) .....	2
18	089290001121	Fence Lever .....	1	18 089290001121	Guide de levier.....	1	18 089290001121	Guía de la palanca .....	1
19	089290001122	Outer Pad.....	2	19 089290001122	Coussinet extérieure.....	2	19 089290001122	Almohadilla exterior .....	2
20	089290001123	Crankshaft .....	1	20 089290001123	Couder l'arbre.....	1	20 089290001123	Eje de acodar.....	1
21	089290001124	Screw (M6 x 15 mm, Cheese Hd.).....	4	21 089290001124	Vis (M6 x 15 mm, tête de fromage) ....	4	21 089290001124	Tornillo (M6 x 15 mm, cab. de queso).....	4
22	089290001125	Fence Lock Plate .....	1	22 089290001125	Plaque de verrouillage du guide ...	1	22 089290001125	Placa de fijación de la guía.....	1
23	080035003905	Warning Label.....	1	23 080035003905	Étiquette d'avertissement .....	1	23 080035003905	Etiqueta de advertencia.....	1





R4513

PARTS LIST FOR FIGURE G / LISTE DE PIÈCES POUR FIGURE G / LISTA DE PIEZAS DE LA FIGURA G

KEY	P/N	DESCRIPTION	QTY	PIÈCE RÉF.	DESCRIPTION	QTÉ	REF. N/P	DESCRIPCIÓN	CANT.
1	089110102255	Brush Holder Cap.....2	1	089110102255	Bouchon de support de porte-charbon.....2	1	089110102255	Tapa del portaescobilla.....2	2
2	089110102254	Brush Assembly.....2				2	089110102254	Conjunto de la escobilla.....2	2
3	089037012106	Brush Holder.....2	2	089110102254	Ensemble de balai.....2	3	089037012106	Portaescobilla.....2	2
4	410072005	Set Screw (M5 x 8 mm).....2	3	089037012106	Support de balai.....2	4	410072005	Tornillos fijadores (M5 x 8 mm).....2	2
5	080015001426	Screw w/Washer (M5 x 35 mm, Pan Hd.).....4	4	410072005	Vis d'arrêt (M5 x 8 mm).....2	5	080015001426	Tornillo con arandela (M5 x 35 mm, cab. trunc.).....4	4
6	089290001099	Motor Housing.....1	5	080015001426	Vis avec rondelle (M5 x 35 mm, tête bombée).....4	6	089290001099	Alojamiento del motor.....1	1
7	089290001104	Screw w/Washer (M5 x 12 mm, Pan Hd.).....2	6	089290001099	Boîtier de moteur.....1	7	089290001104	Tornillo con arandela (M5 x 12 mm, cab. trunc.).....2	2
8	089290001715	Field Assembly.....1	7	089290001104	Vis avec rondelle (M5 x 12 mm, tête bombée).....2	8	089290001715	Conjunto del campo.....1	1
9	410582002R	Screw w/Washer (M5 x 65 mm, Pan Hd.).....2	8	089290001715	Ensemble d'inducteur.....1	9	410582002R	Tornillo con arandela (M5 x 65 mm, cab. trunc.).....2	2
10	089290001100	Baffle.....1	9	410582002R	Vis avec rondelle (M5 x 65 mm, tête bombée).....2	10	089290001100	Deflector.....1	1
11	089290001513	Ball Bearing (6200 2RS C3,SRL/P6 Z3 V3).....1	10	089290001100	Défecteur.....1	11	089290001513	Cojinete de bolas (6200 2RS C3,SRL/P6 Z3 V3).....1	1
12	089290001704	Armature Assembly (Inc. Key Nos. 211-213).....1	11	089290001513	Roulement à bille (6200 2RS C3,SRL/P6 Z3 V3).....1	12	089290001704	Conjunto de inducido (incl. núm. de ref. 211-213).....1	1
13	089110101209	Ball Bearing (6201 ZLU C3,SRL/P6 Z3 V3).....1	12	089290001704	Ensemble d'induit (inclut les pièces 211-213).....1	13	089110101209	Cojinete de bolas (6201 ZLU C3,SRL/P6 Z3 V3).....1	1
14	089110102275	O-Ring.....1	13	089110101209	Roulement à bille (6201 ZLU C3,SRL/P6 Z3 V3).....1	14	089110102275	Anillo en "O".....1	1
15	089110101205	Cord Clamp.....1	14	089110102275	Joint torique en O.....1	15	089110101205	Abrazadera el cordón.....1	1
16	089110101220	Round Head Screw (8-32 x 3/8 in.).....1	15	089110101205	Collier de cordon.....1	16	089110101220	Tornillo de cabeza redonda (8-32 x 3/8 pulg.).....1	1
17	089110101059	External Tooth Lock Washer (M4).....2	16	089110101220	Vis à tête ronde (8-32 x 3/8 po).....1	17	089110101059	Arandela de fijación externa de diente (M4).....2	2
18	089290001101	Gear Box.....1	17	089110101059	Rondelle frein de dent externe (M4).....2	18	089290001101	Caja de engranajes.....1	1
19	089110102263	Needle Bearing.....1	18	089290001101	Boîte d'engrenages.....1	19	089110102263	Cojinete de agujas.....1	1
20	089290001706	Arbor Assembly.....1	19	089110102263	Roulement à aiguilles.....1	20	089290001706	Conjunto del árbol.....1	1
			20	089290001706	Ensemble de axe broche.....1				1