



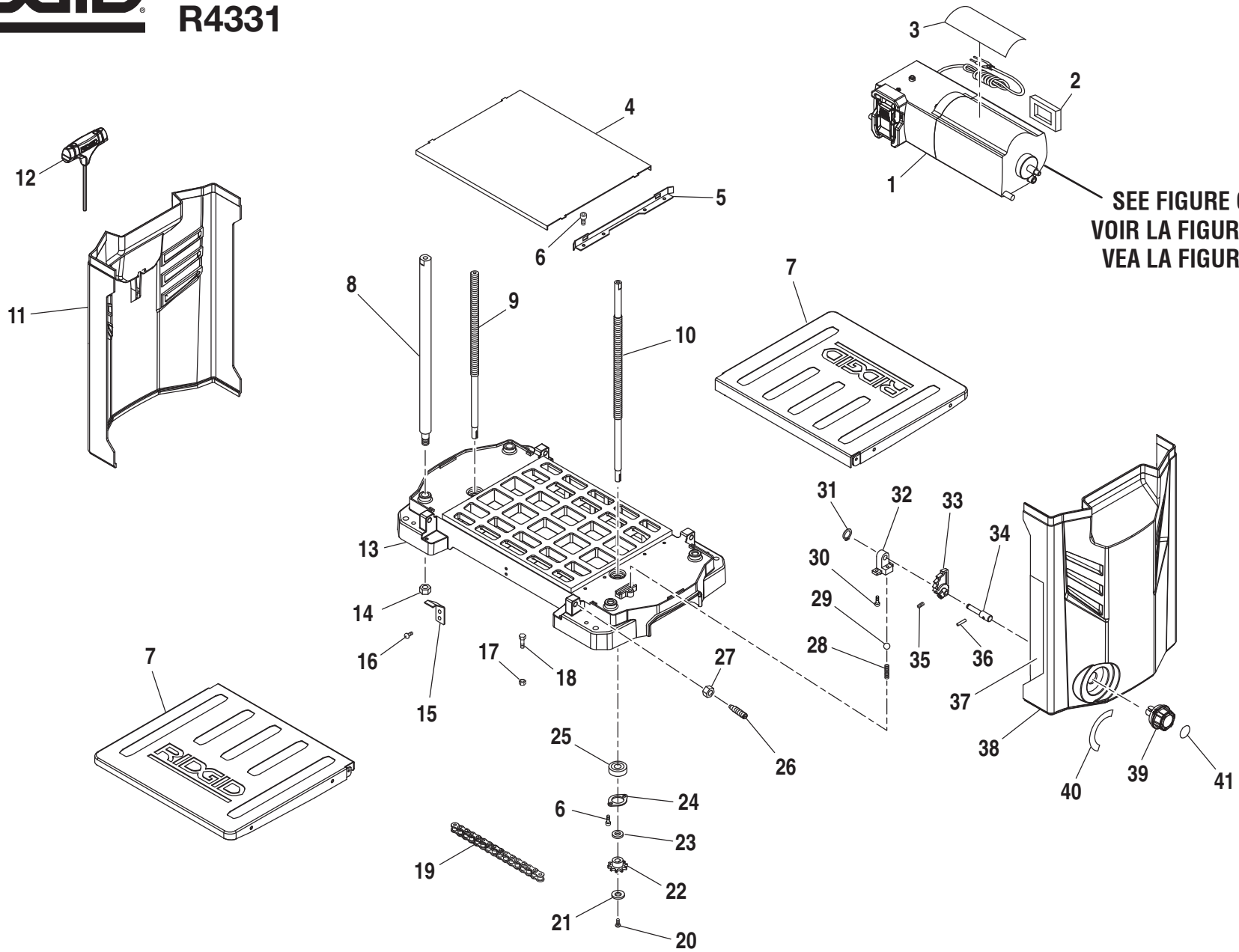
R4331

PARTS LIST FOR FIGURE A

KEY	P/N	DESCRIPTION	QTY	KEY	P/N	DESCRIPTION	QTY
1	089170109001	Screw (M6 x 20 mm, Hex Hd.)	1	31	089170109035	Linkage Shaft	1
2	089170109002	Lock Washer (M6)	1	32	089170109039	Long Cam	1
3	089170109705	Depth Adjustment Crank Handle	1	33	089170109040	Short Cam	1
4	089170109007	Top Cover	1	34	089170109036	Cotter Pin (M1.6 x 10 mm)	1
5	089170109008	Glide Rail	2	35	089170109037	Washer (M6)	1
6	089170109009	Carry Handle	2	36	089170109045	Pin (B)	1
7	089170109010	Screw (M8 x 16 mm, Hex Soc. Hd.)	4	37	089170109047	Cam Lever	1
8	089170109907	Height Crank Direction Label	1	38	089170109038	Pivot Pin (M6 x 24 mm)	1
9	089170109011	Dust Hood	1	39	089170109046	Pivot Pin	1
10	089170109012	Screw (M5 x 8 mm, Hex Soc. Hd.)	2	40	089170109044	Carriage Lock Lever (SURE CUT™)	1
11	089170109017	Dust Guide	1	41	089170109156	Foam Seal	1
12	089170109016	Screw (M6 x 25 mm, Hex Soc. Hd.)	1	42	089170109067	Set Screw (M6 x 6 mm)	1
13	089170109015	Fan Cover	1	43	089170109068	Hex Nut (Special)	1
14	089170109908	Dust Elbow Warning Label	1	44	089170109069	Elevation Nut (Left Hand)	1
15	089170109014	Screw (M5 x 10 mm, Hex Soc. Hd.)	2	45	089170109072	Screw (M5 x 10 mm, Pan Hd.)	1
16	089170109019	Dust Chute	1	46	089170109073	Washer (M5)	1
17	089170109018	Screw (M5 x 10 mm, Pan Hd.)	7	47	089170109074	Cable Clamp	1
18	089170109049	Chain (410#-26)	2	48	089170109065	Pinion	1
19	089170109048	External Retaining Ring	3	49	089170109066	Ball Bearing (6203-2Z)	1
20	089170109050	Sprocket	4	50	089170109070	Screw (M5 x 12 mm, Hex Soc. Hd.)	5
21	089170109051	Bushing	1	51	089170109071	Set Screw (M5 x 10 mm)	1
22	089170109701	Gearbox Assembly	1	52	089170109075	Belt Guard	1
23	089170109042	Pad	4	53	089170109076	Set Screw	1
24	089170109041	Rod	4	54	089170109077	Elevation Nut (Right Hand)	1
25	089170109029	Screw (M5 x 10 mm, Hex Soc. Hd.)	28	55	089170109078	Screw (M5 x 10 mm)	2
26	089170109031	Spring Washer (M5)	4	56	089170109188	Washer (ID5.3 x OD15 x 2t)	1
27	089170109032	Spring Plate	2	57	089170109020	Screw (M6 x 12 mm, Hex Soc. Hd.)	1
28	089170109033	Spacer	1	58	089170109021	Washer (M6)	1
29	089170109043	Set Screw	4	59	089170109022	Fan	1
30	089170109034	Hex Nut (M10)	6	60	089170109023	Fan Shaft	1

PARTS LIST FOR FIGURE A

KEY	P/N	DESCRIPTION	QTY	KEY	P/N	DESCRIPTION	QTY
61	089170109024	Ball Bearing (6000-2Z)	4	89	089170109118	Compression Spring (Infeed)	2
62	089170109025	Spacer	1	90	089170109122	Bearing Block	4
63	089170109026	Set Screw (M6 x 6 mm)	3	91	089170109123	Retainer	4
64	089170109027	Fan Pulley	1	92	089170109081	Gearbox Cover	1
65	089170109028	Washer (ID5 x OD15.3 x 1.2t)	1	93	089170109080	External Tooth Lock Washer (M5)	2
66	089170109030	Belt (130J2)	1	94	089170109092	Carriage Frame	1
67	089170109110	Spring	1	95	089170109903	Logo w/Warning Label (English)	1
68	089170109111	Cutter Head Lock	1	96	089170109906	Blade Change Warning Label	1
69	089170109112	Lock Spacer (Cutter Head)	1	97	089170109096	Height Scale Indicator	1
70	089170109116	Cutter Head Extension Pulley	1	98	089170109094	Screw (M3 x 6 mm, Pan Hd.)	2
71	089170109115	Belt (135J6)	1	99	089170109095	Washer (M3)	2
72	089170109114	Hex Nut (M16)	1	100	089170109100	Washer (M8)	1
73	089170109113	Cutter Head Pulley	1	101	089170109101	Screw (M8 x 25 mm, Hex Soc. Hd.)	1
74	089170109117	Motor Pulley	1	102	089170109702	Depth Indicator Assembly (Inc. Key. Nos. 103-112)	1
75	089170109109	Bearing Plate	1	103	089170109082	Pointer Cover	1
76	089170109108	Ball Bearing (6204-2Z)	1	104	089170109083	Screw (M4 x 16 mm, Pan. Hd.)	1
77	089170109103	Key	1	105	089170109087	Bushing	2
78	089170109102	Cutter Head (Inc. Key No. 79)	1	106	089170109084	Torsion Spring	1
79	089170109107	Cutter Head Pin	6	107	089170109085	Washer (M4)	1
80	089170109104	Planer Blades	3	108	089170109086	Pointer	1
	AC20502	Planer Blades (Set of 3)	1	109	089170109088	Screw (M4 x 8 mm, Pan Hd.)	3
81	089170109105	Blade Lock Bar	3	110	089170109091	Steel Ball (12 mm)	1
82	089170109106	Screw (M6 x 16 mm, Hex Pan Hd.)	18	111	089170109089	Pointer Housing	1
83	089170109097	Adjustment Rod	1	112	089170109090	Nut (M4, Special)	1
84	089170109098	Hex Nut (M5)	1	Not Shown:			
85	089170109099	Set Screw (M5 x 25 mm)	1	988000297	Operator's Manual	1	
86	089170109119	Compression Spring (Outfeed)	2	9-12-11 (REV:03)			
87	089170109121	Outfeed Roller (Rear)	1				
88	089170109120	Infeed Roller (Front)	1				

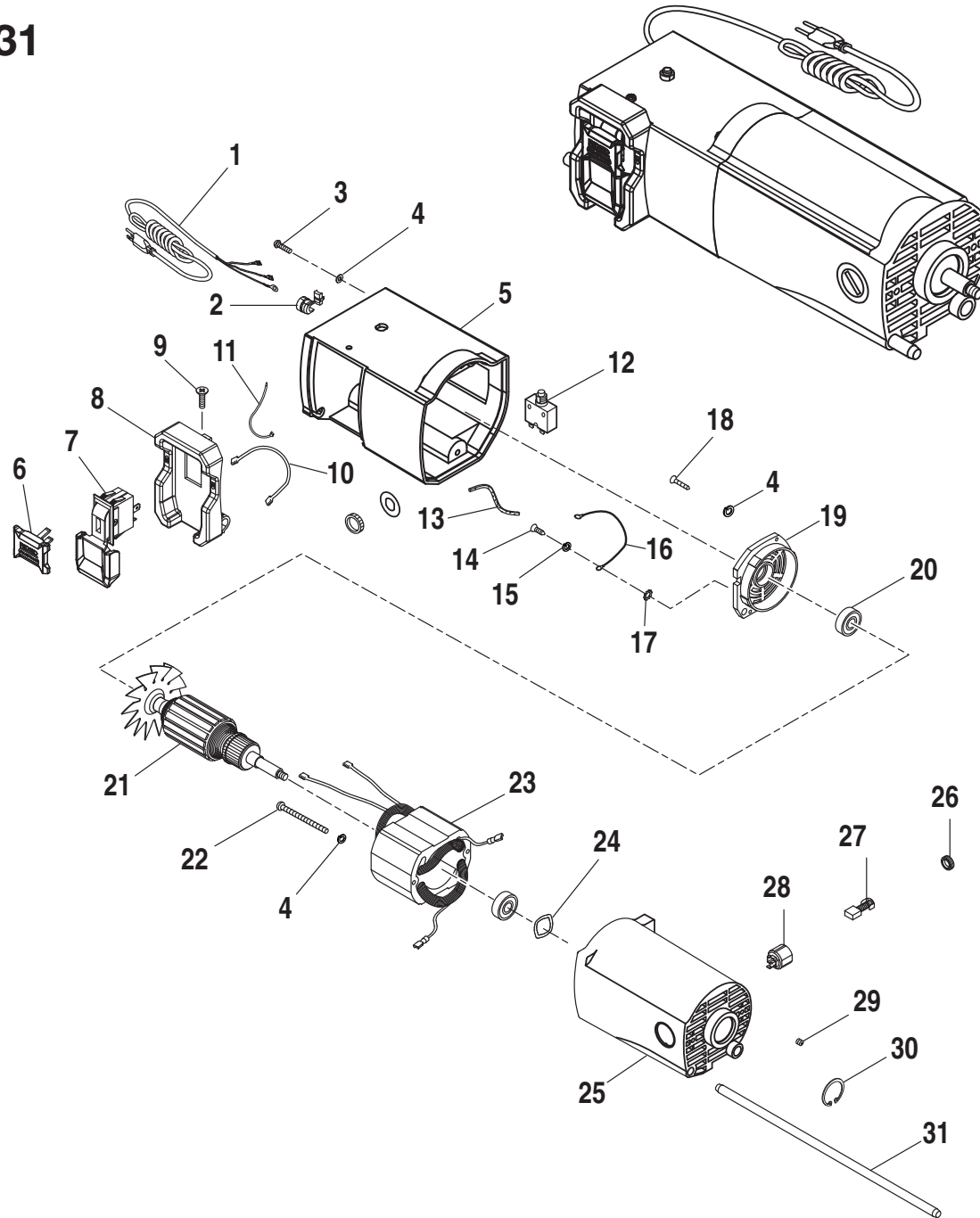




R4331

PARTS LIST FOR FIGURE B

KEY	P/N	DESCRIPTION	QTY	KEY	P/N	DESCRIPTION	QTY
1	089170109703	Motor w/Switch Assembly	1	22	089170109142	Sprocket.....	2
2	089170109093	Foam Seal	1	23	089170109141	Spindle Washer	2
3	089170109902	Data w/Warning Label (French/Spanish).....	1	24	089170109140	Bearing Retainer.....	2
4	089170109126	Planer Table.....	1	25	089170109024	Ball Bearing (6000-2Z)	4
5	089170109127	Guide Rail.....	2	26	089170109145	Adjustment Bolt.....	4
6	089170109029	Screw (M5 × 10 mm, Hex Soc. Hd.).....	2	27	089170109034	Hex Nut (M10)	6
7	089170109704	Table Extension Assembly	2	28	089170109152	Compression Spring	1
8	089170109128	Column.....	4	29	089170109151	Steel Ball (M6)	1
9	089170109129	Left Elevation Screw	1	30	089170109150	Screw (M5 × 16 mm, Hex Soc. Hd.).....	2
10	089170109130	Right Elevation Screw	1	31	089170109146	External Retaining Ring (STW8)	1
11	089170109124	Left Side Panel	1	32	089170109147	Step Bracket	1
12	089170109125	Magnetic Blade Wrench.....	1	33	089170109148	Repeat-A-Cut™ Pawl.....	1
13	089170109131	Base	1	34	089170109149	Shaft	1
14	089170109132	Hex Nut (M12)	4	35	089170109026	Set Screw (M6 × 6 mm).....	3
15	089170109133	Spring Plate.....	2	36	089170109153	Roll Pin	1
16	089170109018	Screw (M5 × 10 mm, Pan Hd.).....	7	37	089170109901	Thickness Scale	1
17	089170109135	Hex Nut (M6)	4	38	089170109154	Right Side Panel.....	1
18	089170109134	Bolt (M6 × 20 mm, Hex Hd.)	4	39	089170109155	Repeat-A-Cut™ Knob.....	1
19	089170109139	Chain (35#-87).....	1	40	089170109904	Repeat-A-Cut™ Scale Label.....	1
20	089170109144	Screw (M4 × 12 mm, Hex Soc. Hd.).....	2	41	089170109905	Repeat-A-Cut™ Knob Label	1
21	089170109143	Washer	2				





R4331

PARTS LIST FOR FIGURE C

KEY	P/N	DESCRIPTION	QTY
1	089170109157	Power Cord	1
2	089170109158	Relief Strain	1
3	089170109159	Screw (M5 x 20 mm, Pan Hd.)	3
4	089170109160	Spring Washer (M5)	8
5	089170109161	Switch Housing	1
6	089170109162	Switch Key	1
7	089170109163	Switch Body	1
8	089170109164	Switch Cover	1
9	089170109165	Screw (M4.8 x 16 mm)	1
10	089170109166	Lead w/Terminals	1
11	089170109167	Nylon Strip	1
12	089170109168	Overload Protector	1
13	089170109169	Foam Seal	1
14	089170109170	Screw (M5 x 8 mm, Pan Hd.)	1
15	089170109171	Spring Washer (M5)	1
16	089170109172	Grounded Wire	1
17	089170109173	External Lock Washer (M5)	1
18	089170109174	Screw (M4.8 x 20 mm, Pan Hd.)	3
19	089170109175	Fan Baffle	1
20	089170109176	Ball Bearing (6201-2Z)	2
21	089170109177	Armature	1
22	089170109178	Screw (M4.8 x 70 mm)	2
23	089170109179	Field	1
24	089170109180	Wavy Washer (ID25 x OD31.5 x 0.365t)	1
25	089170109181	Motor Housing	1
26	089170109182	Brush Cap	2
27	089170109183	Brush Assembly	2
28	089170109184	Brush Holder	2
29	089170109185	Set Screw (M5 x 8 mm)	2
30	089170109186	Retaining Ring (STW32)	1
31	089170109187	Support Rod (M10 x 365 mm)	1