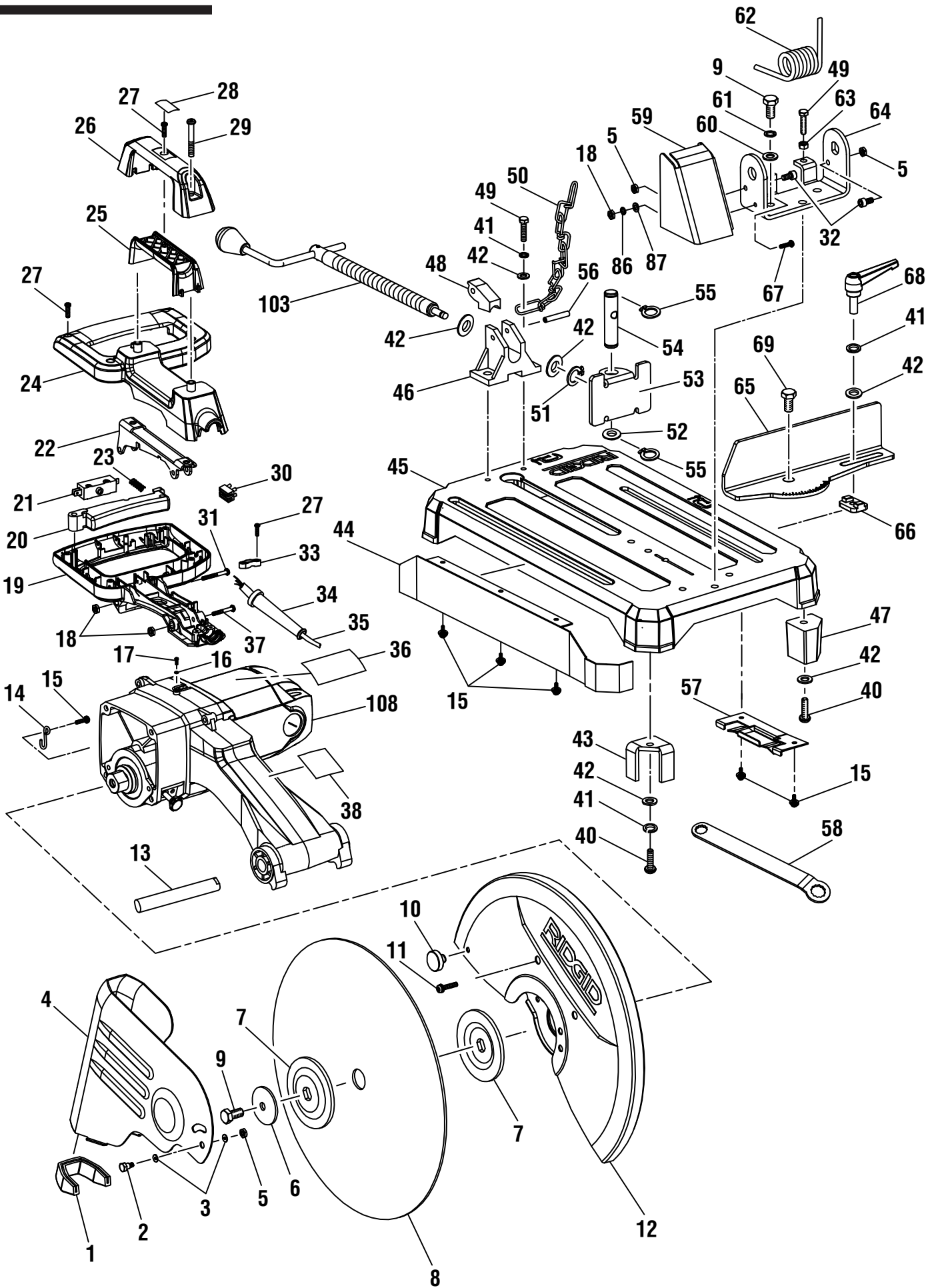
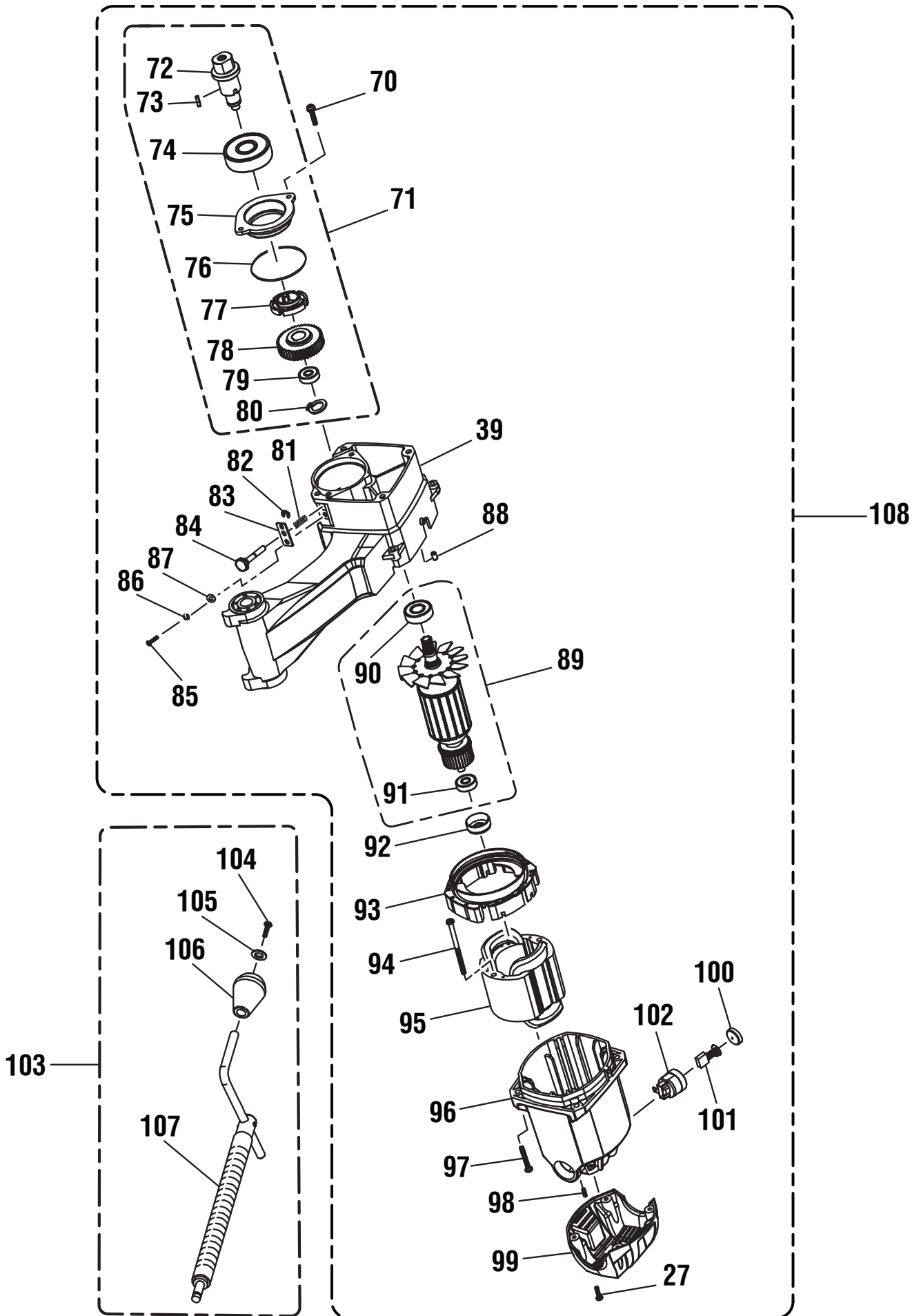


RIDGID R4141



RIDGID® R4141

KEY NO.	PART NUMBER	DESCRIPTION	QTY	KEY NO.	PART NUMBER	DESCRIPTION	QTY
1	080029002002	Rubber Bumper	1	34	080029002032	Bend Relief.....	1
2	080029002003	Shoulder Bolt (M6 x 12 mm Hex Hd.).....	2	35	080029002033	Power Cord.....	1
3	080029002004	Nylon Washer	4	36	080029002901	Warning Label.....	1
4	080029002005	Lower Wheel Guard.....	1	37	080029002034	Screw (M5 x 35 mm, Pan Hd.).....	1
5	080029002006	Lock Nut (M6)	4	38	080029002902	Data Label	1
6	080029002007	Washer.....	1	39	080029002053	Pivot Arm.....	1
7	080029002008	Flange.....	2	40	080029002070	Screw (M8 x 30 mm, Pan Hd.).....	4
8	080029002001	Abrasive Wheel.....	1	41	080029002071	Spring Washer (M8).....	3
9	080029002009	Bolt (M10 x 20 mm)	4	42	080029002072	Washer (M8).....	7
10	080029002010	Rubber Pad	1	43	080029002073	Metal Foot	1
11	080029002011	Screw (M6 x 10 mm, Pan Hd.).....	4	44	080029002074	Side Protector.....	1
12	080029002012	Upper Wheel Guard.....	1	45	080029002075	Base.....	1
13	080029002013	Shaft	1	46	080029002076	Clamp Bracket.....	1
14	080029002014	Chain Hook.....	1	47	080029002102	Foot	3
15	080029002015	Screw (M5 x 16 mm, Pan Hd.).....	6	48	080029002081	Quick Release Lever.....	1
16	080029002016	Retaining Ring	1	49	080029002082	Bolt (M8 x 30 mm, Hex Hd.)	3
17	080029002017	Screw (M4 x 10 mm, Pan Hd.).....	1	50	080029002083	Chain (Hold Down).....	1
18	080029002018	Hex Nut (M5).....	3	51	080029002084	Retaining Ring	1
19	080029002019	Lower Handle	1	52	080029002085	Washer (D16 x D24 x 3t).....	1
20	080029002020	Switch Trigger Lever	1	53	080029002086	Clamp Plate	1
21	080029002052	Trigger Switch.....	1	54	080029002087	Pin.....	1
22	080029002021	Handle Bracket.....	1	55	080029002088	Retaining Ring	2
23	080029002022	Compression Spring.....	1	56	080029002089	Spring Pin (M6 x 35 mm).....	1
24	080029002023	Upper Handle	1	57	080029002103	Tool Holder	1
25	080029002024	Carry Handle (Bottom).....	1	58	080029002104	Wrench	1
26	080029002025	Carry Handle (Top).....	1	59	080029002105	Chip Deflector.....	1
27	080029002030	Screw (M4 x 16 mm).....	11	60	080029002090	Washer (M10).....	4
28	080029002900	Logo Label.....	1	61	080029002091	Spring Washer (M10)	4
29	080029002027	Screw (M6 x 48 mm, Pan Hd.).....	1	62	080029002092	Torsion Spring.....	1
30	080029002028	Terminal Block	1	63	080029002093	Hex Nut (M8).....	1
31	080029002029	Screw (M5 x 45 mm, Pan Hd.).....	1	64	080029002094	Pivot Bracket	1
32	080029002096	Screw (M6 x 14 mm Hex Soc. Hd.)	2	65	080029002100	Fence.....	1
33	080029002031	Cord Clamp	1	66	080029002101	Tee Nut	1
				67	080029002097	Screw (M5 x 14 mm, Pan Hd.).....	1
				68	080029002098	Fence Lock Lever	1
				69	080029002099	Screw (M10 x 20 mm).....	1





R4141

KEY NO.	PART NUMBER	DESCRIPTION	QTY.
70	080029002068	Screw (M5 x 20 mm, Pan Hd.)	2
71	080029002701	Output Spindle Assembly (Inc. Key Nos. 77 – 78)	1
72	080029002035	Spindle	1
73	080029002036	Key (4 x 4 x 12)	1
74	080029002037	Ball Bearing (6205–RZ)	1
75	080029002038	Bearing Retainer	1
76	080029002039	O–Ring	1
77	080029002040	Spindle Brake	1
78	080029002041	Gear	1
79	080029002055	Ball Bearing (6000–2Z)	1
80	080029002043	Retaining Ring	1
81	080029002044	Compression Spring	1
82	080029002045	Retaining Ring	1
83	080029002046	Lock Bracket	1
84	080029002047	Lock Pin	1
85	080029002048	Screw (M5 x 10 mm, Pan Hd.)	2
86	080029002049	Spring Washer (M5)	6
87	080029002050	Washer (M5)	6
88	080029002067	Rubber Plug	1
89	080029002702	Armature Assembly (Inc. Key Nos. 90 – 91)	1
90	080029002051	Ball Bearing (6202–2RS)	1
91	080029002042	Ball Bearing (629–2Z)	1
92	080029002056	Bearing Seat	1
93	080029002057	Baffle	1
94	080029002058	Screw (M5 x 80 mm)	2
95	080029002059	Field Assembly	1
96	080029002060	Motor Housing (Inc. Key No. 36)	1
97	080029002061	Screw (M6 x 25 mm, Pan Hd.)	4
98	080029002062	Screw (M5 x 8 mm)	2
99	080029002063	End Cap	1
100	080029002064	Brush Cap	2
101	080029002065	Brush Assembly	2
102	080029002066	Brush Holder	2
103	080029002703	Screw w/Handle (Inc. Key Nos. 104 – 108)	1
104	080029002077	Screw (M4 x 12 mm, Pan Hd.)	1
105	080029002078	Washer (M4)	1
106	080029002079	Knob	1
107	080029002080	Screw	1
108	080029002700	Motor Assembly (Inc. Key Nos. 27, 36, 39, 70 – 71, 81 – 89 and 92 – 102)	1

Not Shown:

080029002113	Bolt (5/16-18 x 4 in., Mounting Bolts)	3
080029002903	Hang Tag Label	
987000549	Operator's Manual	

6-27-13
(Rev:02)