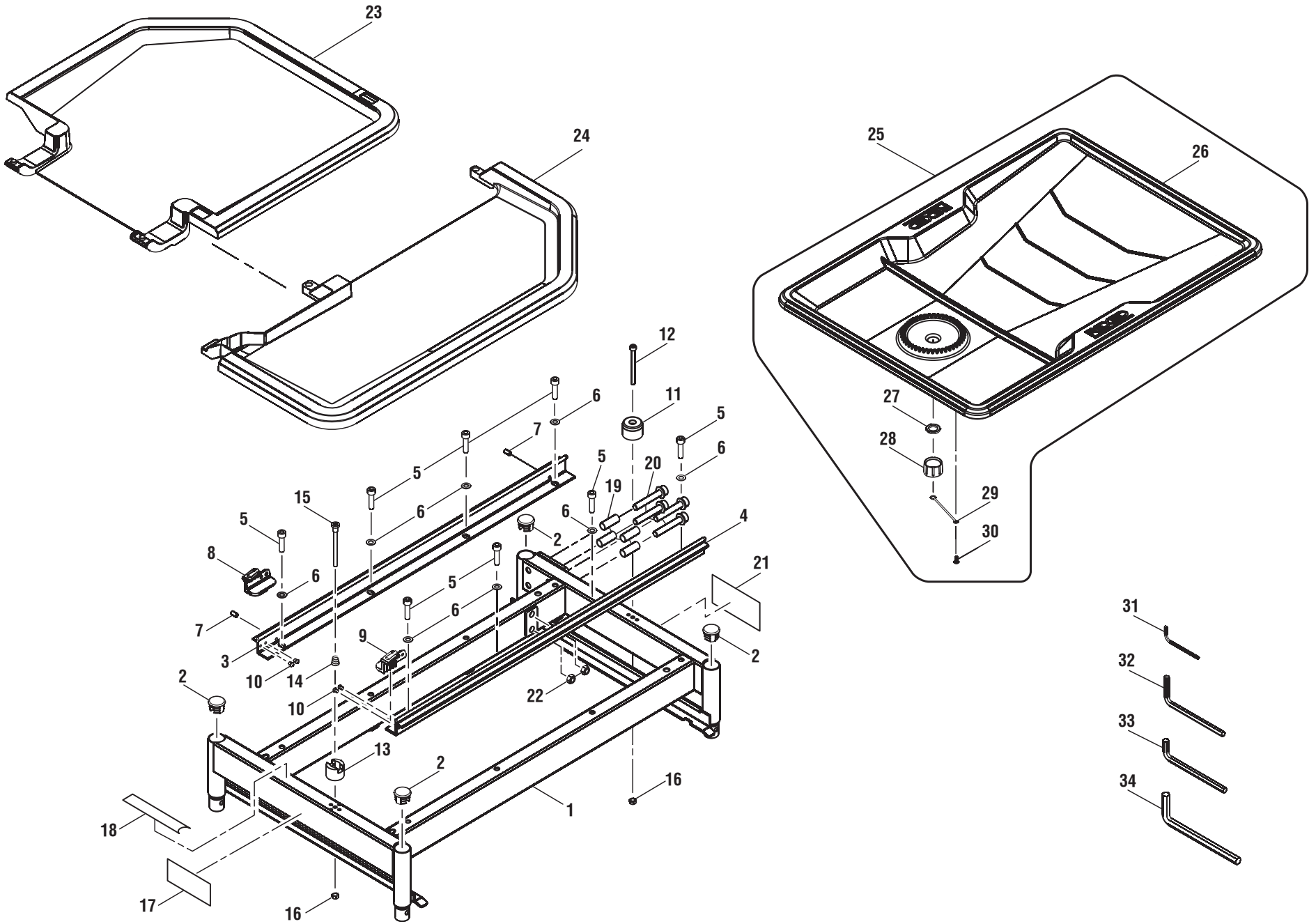


**RIDGID
10 in. TILE SAW
MODEL NO. R4091
REPAIR SHEET**

**RIDGID
SCIE À CARREAUX DE 254 mm (10 po)
NUMÉRO DE MODÈLE R4091
FEUILLE DE RÉPARATION**

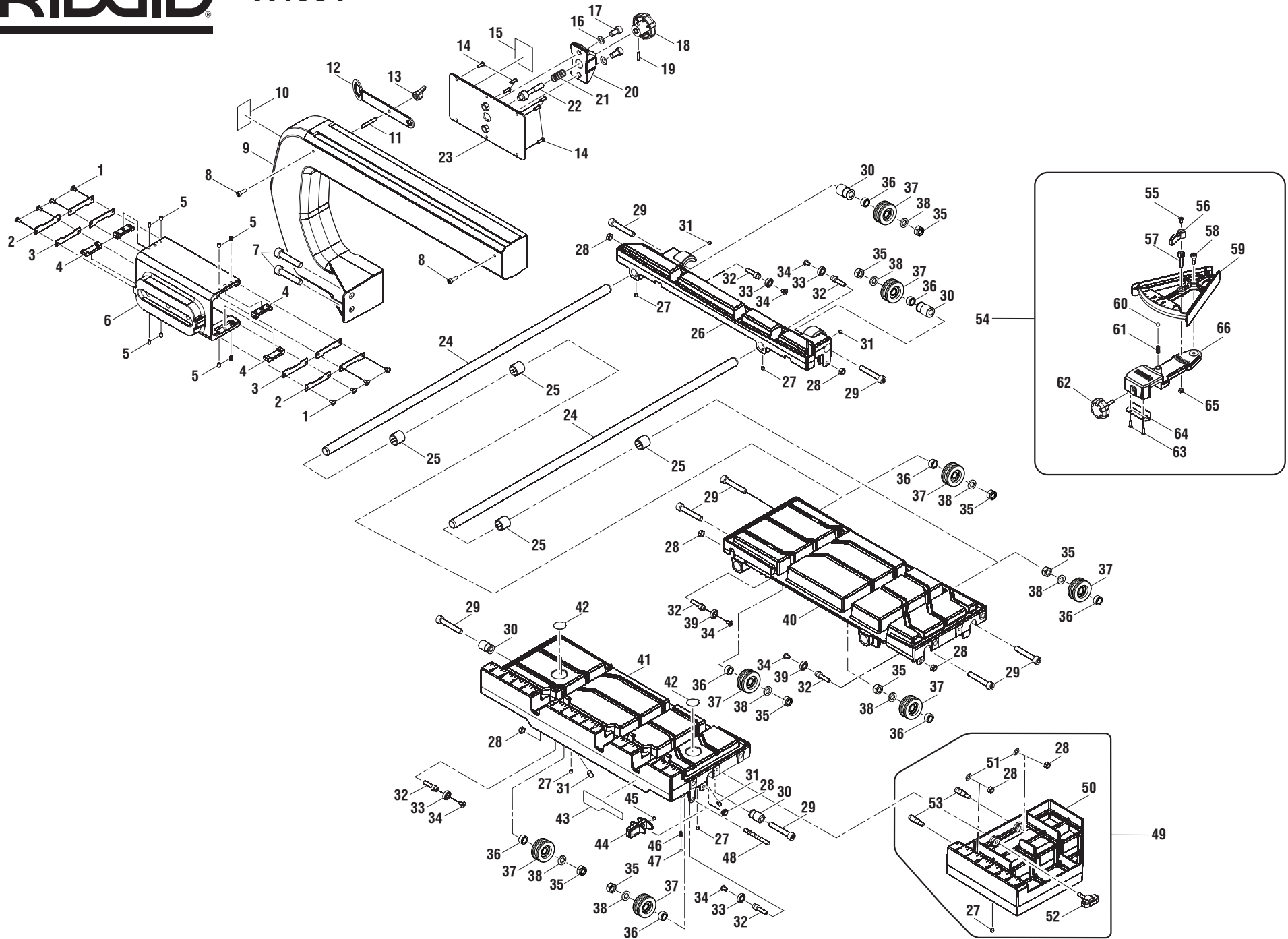
**RIDGID
SIERRA DE LOSAS DE 254 mm (10 pulg.)
NÚMERO DE MODELO R4091
LISTAS DE PIEZAS DE REPUESTO**



PARTS LIST FOR FIGURE A

KEY	P/N	DESCRIPTION	QTY	PIÈCE RÉF.	DESCRIPTION	QTÉ	REF. N/P	DESCRIPCIÓN	CANT
1	089009031701	Frame Assembly (Inc. Key Nos. 17-18 and 21).....	1	1 089009031701	Ensemble de cadre de support (incl. pièces no. 17 à 18 et 21).....	1	1 089009031701	Conjunto de la armazón (incl. pzas. núms. ref. 17 a 18 y 21).....	1
2	080009008002	Cap.....	4	2 080009008002	Capuchon.....	4	2 080009008002	Tapa.....	4
3	089009031002	Left Rail.....	1	3 089009031002	Barre gauche.....	1	3 089009031002	Riel izquierdo.....	1
4	089009031003	Right Rail.....	1	4 089009031003	Barre droit.....	1	4 089009031003	Riel derecho.....	1
5	089009031004	Bolt (M6 x 12 mm, Soc. Hd.).....	8	5 089009031004	Boulon (M6 x 12 mm, tête creuse)....	8	5 089009031004	Perno (M6 x 12 mm, cab. hue.).....	8
6	089009031005	Washer (D6.5 x D15 X 1t).....	8	6 089009031005	Rondelle (D6.5 x D15 X 1t).....	8	6 089009031005	Arandele (D6.5 x D15 X 1t).....	8
7	089009031029	Screw (M6 x 14 mm, Soc. Hd.).....	2	7 089009031029	Vis (M6 x 14 mm, tête creuse).....	2	7 089009031029	Tornillo (M6 x 14 mm, cab. hue.).....	2
8	080009008008	Glide (Left).....	1	8 080009008008	Patin (gauche).....	1	8 080009008008	Deslizante (izquierdo).....	1
9	080009008009	Glide (Right).....	1	9 080009008009	Patin (droit).....	1	9 080009008009	Deslizante (derecho).....	1
10	080009008010	Screw (M5 x 5 mm, Round Hd.).....	4	10 080009008010	Vis (M5 x 5 mm, tête ronde).....	4	10 080009008010	Tornillo (M5 x 5 mm, cab. red.).....	4
11	080009008011	Table Stop.....	1	11 080009008011	Butée de table.....	1	11 080009008011	Tope de mesa.....	1
12	080009008012	Screw (M6 x 85 mm, Round Hd.).....	1	12 080009008012	Vis (M6 x 85 mm, tête ronde).....	1	12 080009008012	Tornillo (M6 x 85 mm, cab. red.).....	1
13	080009008013	Table Stop By-pass.....	1	13 080009008013	Butée de table de déviation.....	1	13 080009008013	Tope de la mesa de puente.....	1
14	080009008014	Spring.....	1	14 080009008014	Ressort.....	1	14 080009008014	Resorte.....	1
15	080009008015	Screw (M6, Hex Soc. Hd. w/Shoulder).....	1	15 080009008015	Vis (M6, hex. tête creuse. w/ épaulée).....	1	15 080009008015	Tornillo (M6, hex. cab. hue. w/ tornillo de cuello grueso).....	1
16	080009008016	Hex Nut (M6).....	2	16 080009008016	Écrou hexagonal (M6).....	2	16 080009008016	Tuerca hexagonal (M6).....	2
17	080009005911	Frame Logo Label.....	1	17 080009005911	Cadre étiquette de logo.....	1	17 080009005911	Etiqueta de logo armazón.....	1
18	080009008905	Table Stop By-pass Warning Label.....	1	18 080009008905	Étiquette d'avertissement de butée de table de déviation.....	1	18 080009008905	Etiqueta de advertencia de tope de la mesa de puente.....	1
19	080009008208	Spacer.....	4	19 080009008208	Écarteur.....	4	19 080009008208	Espaciador.....	4
20	080009008207	Bolt (M10 x 60 mm, Round Hd.).....	4	20 080009008207	Boulon (M10 x 60 mm, tête ronde) ...	4	20 080009008207	Perno (M10 x 60 mm, cab. red.).....	4
21	089009031901	Data Label.....	1	21 089009031901	Étiquette de données.....	1	21 089009031901	Etiqueta de datos.....	1
22	080009008206	Hex Nut (M10).....	2	22 080009008206	Écrou hexagonal (M10).....	2	22 080009008206	Tuerca hexagonal (M10).....	2
23	080009008218	Water Tray Extension (Rear).....	1	23 080009008218	Plateau d'eau l'extension (arrière)....	1	23 080009008218	Bandejas de agua de extensión (trasero).....	1
24	080009008217	Water Tray Extension (Right).....	1	24 080009008217	Plateau d'eau l'extension (droit).....	1	24 080009008217	Bandejas de agua de extensión (derecha).....	1
25	089009031702	Water Tray Assembly (Inc. Key Nos. 26-30).....	1	25 089009031702	Ensemble de plateau d'eau (incl. pièces no. 26 à 30).....	1	25 089009031702	Conjunto de bandejas de agua (incl. pzas. núms. ref. 26 a 30).....	1
26	089009031033	Water Tray.....	1	26 089009031033	Plateau d'eau.....	1	26 089009031033	Bandejas de agua.....	1
27	080009008216	Seal.....	1	27 080009008216	Joint d'étanchéité.....	1	27 080009008216	Sello.....	1
28	080009008215	Drain Plug.....	1	28 080009008215	Bouchon de vidange.....	1	28 080009008215	Tapón de drenaje.....	1
29	080009008214	Water Tray Cap Band.....	1	29 080009008214	Bandede de plateau d'eau de capuchon.....	1	29 080009008214	Banda de bandejas de agua de tapa.....	1
30	080009008154	Screw (M4 x 10 mm).....	1	30 080009008154	Vis (M4 x 10 mm).....	1	30 080009008154	Tornillo (M4 x 10 mm).....	1
31	080009008269	Hex Key (2.5 mm).....	1	31 080009008269	Clé hexagonale (2.5 mm).....	1	31 080009008269	Llave hexagonal (2.5 mm).....	1
32	089009031035	Hex Key (5 mm).....	1	32 089009031035	Clé hexagonale (5 mm).....	1	32 089009031035	Llave hexagonal (5 mm).....	1
33	080009008270	Hex Key (6 mm).....	1	33 080009008270	Clé hexagonale (6 mm).....	1	33 080009008270	Llave hexagonal (6 mm).....	1
34	080009008271	Hex Key (8 mm).....	1	34 080009008271	Clé hexagonale (8 mm).....	1	34 080009008271	Llave hexagonal (8 mm).....	1

FIGURE B

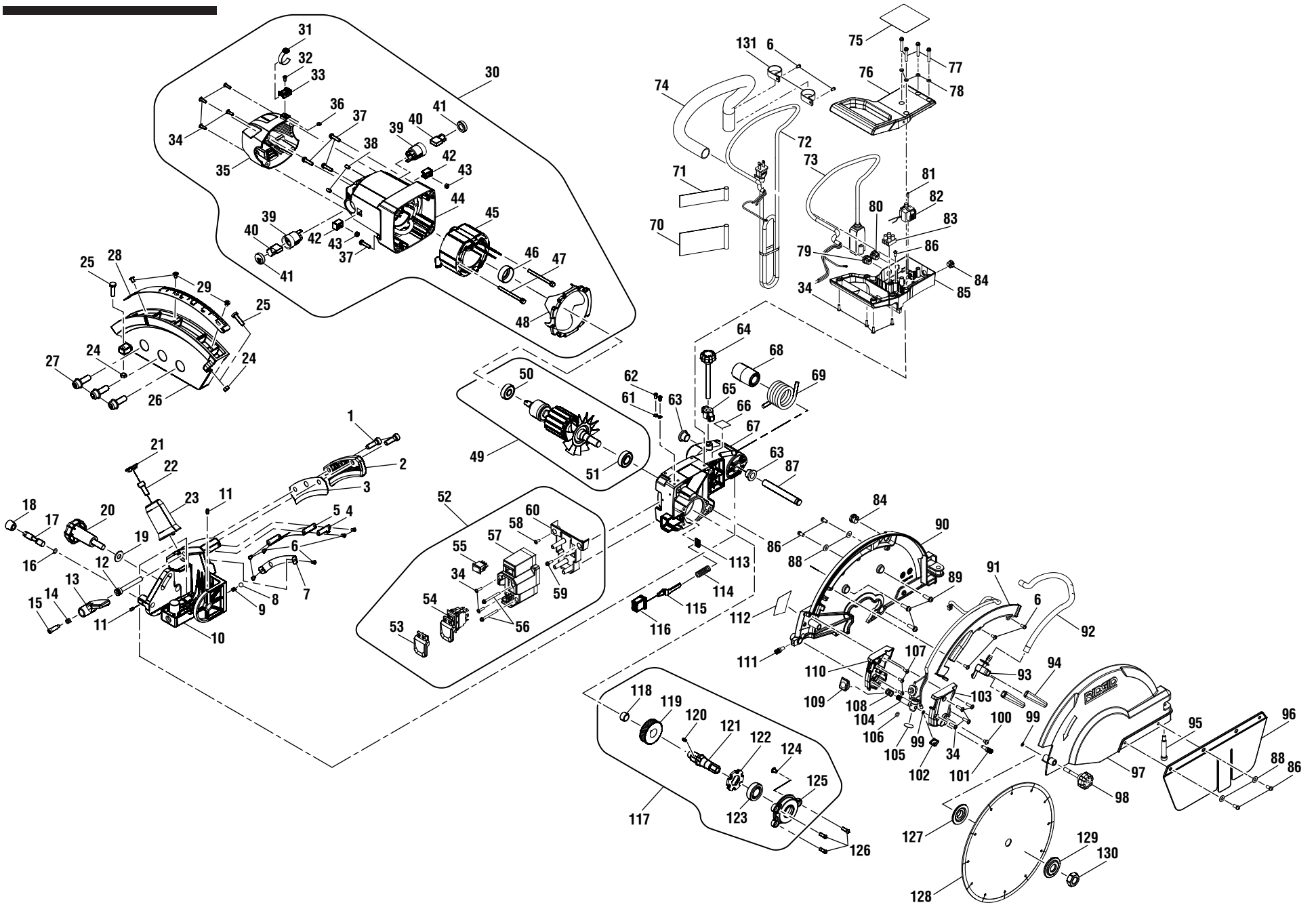




R4091

PARTS LIST FOR FIGURE B

KEY P/N	DESCRIPTION	QTY	KEY P/N	DESCRIPTION	QTY	KEY P/N	DESCRIPTION	QTY			
1	080009008071	Screw (M4 x 8 mm, Truss Hd.)	8	24	080009008048	Rod	2	47	080009008037	Ball (5/32 in.)	1
2	080009008069	Wiper Plate	4	25	080009008046	Sliding Tube Sleeve	4	48	080009008041	Latch Shaft	1
3	080009008070	Wiper	4	26	080009008047	Rear Table	1	49	089009031710	Sliding Table Extension Assembly (Inc. Key Nos. 27-28, and 50-53)	1
4	080009008067	Adjusting Brackets	4	27	080009008042	Screw (M5 x 5 mm, Soc. Hd.)	5	50	080009008264	Sliding Table Extension	1
5	080009008068	Screw (M4 x 8 mm, Soc. Hd.)	8	28	080009008016	Hex Nut (M6)	8	51	080009008266	Washer (D6.4 x D12 x 1t)	2
6	080009008066	Slider Block	1	29	080009008026	Bolt (M8 x 50 mm, Round Hd.)	8	52	080009008267	Table Extension Lock Knob	1
7	080009008205	Screw (M10 x 50 mm, Round Hd.)	2	30	080009008024	Eccentric Sleeve	4	53	080009008265	Pin	2
8	080009008065	Screw (M5 x 16 mm, Round Hd.)	2	31	080009008025	Screw (M5 x 10 mm, Soc. Hd.)	4	54	089009031703	Miter Guide Assembly (Inc. Key Nos. 55-66)	1
9	089009031041	Support Arm	1	32	080009008031	Bolt (M6 x 32 mm, Eccentric)	6	55	080009008260	Screw (M6 x 12 mm, Flat Hd.)	1
10	080009002908	Caution Label	1	33	089009031009	Ball Bearing (688-2RS)	4	56	080009008259	Miter Guide Lock Lever	1
11	080009008202	Screw (M5 x 20 mm, Soc. Hd.)	1	34	080009008032	Screw (M5 x 8 mm, Flat Hd.)	6	57	080009008258	Lock Knob Bolt	1
12	080009008203	Blade Wrench	1	35	080009008029	Hex Nut (M8)	8	58	080009008257	Bolt (M6, Hex Soc. Hd.)	1
13	080009008204	Wing Nut	1	36	089009031008	Spacer	8	59	080009008256	Miter Guide	1
14	080009008061	Screw (M4 x 12 mm, Round Hd.)	6	37	089009031007	Roller	8	60	080009008091	Ball (5/16 in.)	1
15	080009008903	Slide Adjustment Instruction Label	1	38	080009008028	Washer (D8 x D14 x 2t)	8	61	080009008255	Spring	1
16	080009008006	Washer (D8 x D15 X 1t)	2	39	089009031010	Roller	2	62	089009031026	Miter Guide Knob	1
17	080009008078	Screw (M8 x 16 mm, Round Hd.)	2	40	089009031030	Middle Table	1	63	080009008262	Screw (M5 x 15 mm, Round Hd.)	2
18	080009031011	Detent Knob	1	41	089009031006	Front Table	1	64	080009008261	Lock Plate	1
19	080009008076	Pin (D2 x 18 mm)	1	42	080009005905	No Hands Label	2	65	080009008086	Hex Nut (M6)	1
20	080009008077	Slider Lock	1	43	080009008908	Table Unlock Label	1	66	080009008254	Miter Guide Holder	1
21	080009008075	Spring	1	44	080009008040	Sliding Table Lock Lever	1				
22	080009008074	Detent Shaft	1	45	080009008303	Screw (M5 x 5 mm, Soc. Hd.)	1				
23	080009008072	Lock Plate	1	46	080009008038	Spring	1				





R4091

PARTS LIST FOR FIGURE C

KEY P/N	DESCRIPTION	QTY	KEY P/N	DESCRIPTION	QTY	KEY P/N	DESCRIPTION	QTY			
1	08009008095	Screw (M8, Special).....	2	24	08009008086	Hex Nut (M6).....	2	47	08009008125	Bolt (M5 x 65 mm, Hex Hd.)	2
2	08009008094	Lower Slider.....	1	25	08009008085	Screw (M6 x 23 mm, Hex Hd.).....	2	48	08009008127	Baffle.....	1
3	08009008093	Rear Wear Plate.....	1	26	089009031012	Pivot Support.....	1	49	089009031705	Armature Assembly (Inc. Key Nos. 50-51)	1
4	08009008089	Bevel Indicator.....	1	27	08009008080	Screw (M10 x 30 mm, Rd. Hd.)	3	50	08009008117	Ball Bearing (6200ZZ)	1
5	08009008088	Upper Wear Plate	1	28	08009008081	Bevel Scale.....	1	51	08009008114	Ball Bearing (6002 RS/Z-C0)	1
6	08009008084	Screw (M4 x 8 mm, Rd. Hd.)	12	29	08009008082	Screw (M5 x 8 mm, Flat Hd.).....	3	52	089009031713	Switch Assembly (Inc. Key Nos. 34 and 53-60).....	1
7	08009008092	Front Wear Plate.....	1	30	089009031711	Motor Housing w/Field Assembly (Inc. Key Nos. 31-48).....	1	53	08009008164	Switch Lever	1
8	08009008091	Ball (5/16 in.).....	1	31	08009008197	Tie.....	1	54	08009008163	Switch (J9301)	1
9	08009008090	Spring	1	32	08009008198	Screw (M4 x 8 mm, Rd. Hd.)	2	55	08009008165	Pump Switch (MR-3-230).....	1
10	08009008087	Pivot Knuckle.....	1	33	08009008196	Tie Mount.....	1	56	08009008166	Screw (M4 x 45 mm, Rd. Hd.)	2
11	08009008068	Screw (M4 x 8 mm, Set)	2	34	08009008134	Screw (M4 x 14 mm).....	14	57	08009008162	Bezel Switch.....	1
12	08009008096	Bevel Lever Bolt	1	35	08009008135	Motor End Cap	1	58	08009008154	Screw (M4 x 10 mm).....	1
13	08009008097	Bevel Lever	1	36	08009008199	Hex Nut (M4).....	1	59	08009008153	Screw (M4 x 15 mm, Rd. Hd.)	1
14	08009008099	Spring	1	37	08009008128	Screw (M5 x 25 mm, Rd. Hd.)	4	60	08009008152	Switch Box Holder.....	1
15	08009008098	Bolt (M5, Hex Soc.).....	1	38	08009008121	Screw (M5 x 10 mm).....	2	61	08009008168	Lock Washer (M4).....	2
16	08009008101	O-Ring (D10.6 x D6.8 x 1.9t)	1	39	08009008120	Brush Holder.....	2	62	08009008167	Screw (M4 x 5 mm, Rd. Hd.)	2
17	08009008100	Lock Pin.....	1	40	08009008129	Brush	2	63	08009008136	Bushing.....	2
18	08009008102	Knob	1	41	08009008130	Brush Cap.....	2	64	089009031015	Depth Stop Knob.....	1
19	08009008141	Washer (D10 x D22 x 2t).....	1	42	08009008124	Nut Retainer.....	2	65	08009008145	Depth Stop	1
20	089009031014	Lock Knob (Depth Adjustment)	1	43	08009008123	Hex Nut (M5).....	2	66	08009005907	Depth Stop Adjust Label	1
21	08009008144	Bevel Handle Cap.....	1	44	08009008119	Motor Housing.....	1	67	089009031704	Gear Box (Inc. Key Nos. 63, 66 and 118)	1
22	08009008143	Screw (M8 x 20 mm, Rd. Hd.)	1	45	089009031708	Field Assembly	1				
23	08009008142	Bevel Handle Grip.....	1	46	08009008126	Bearing Cup.....	1				

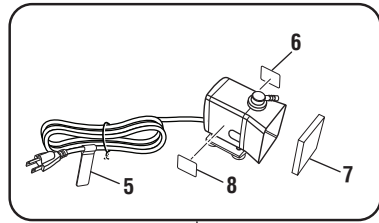


R4091

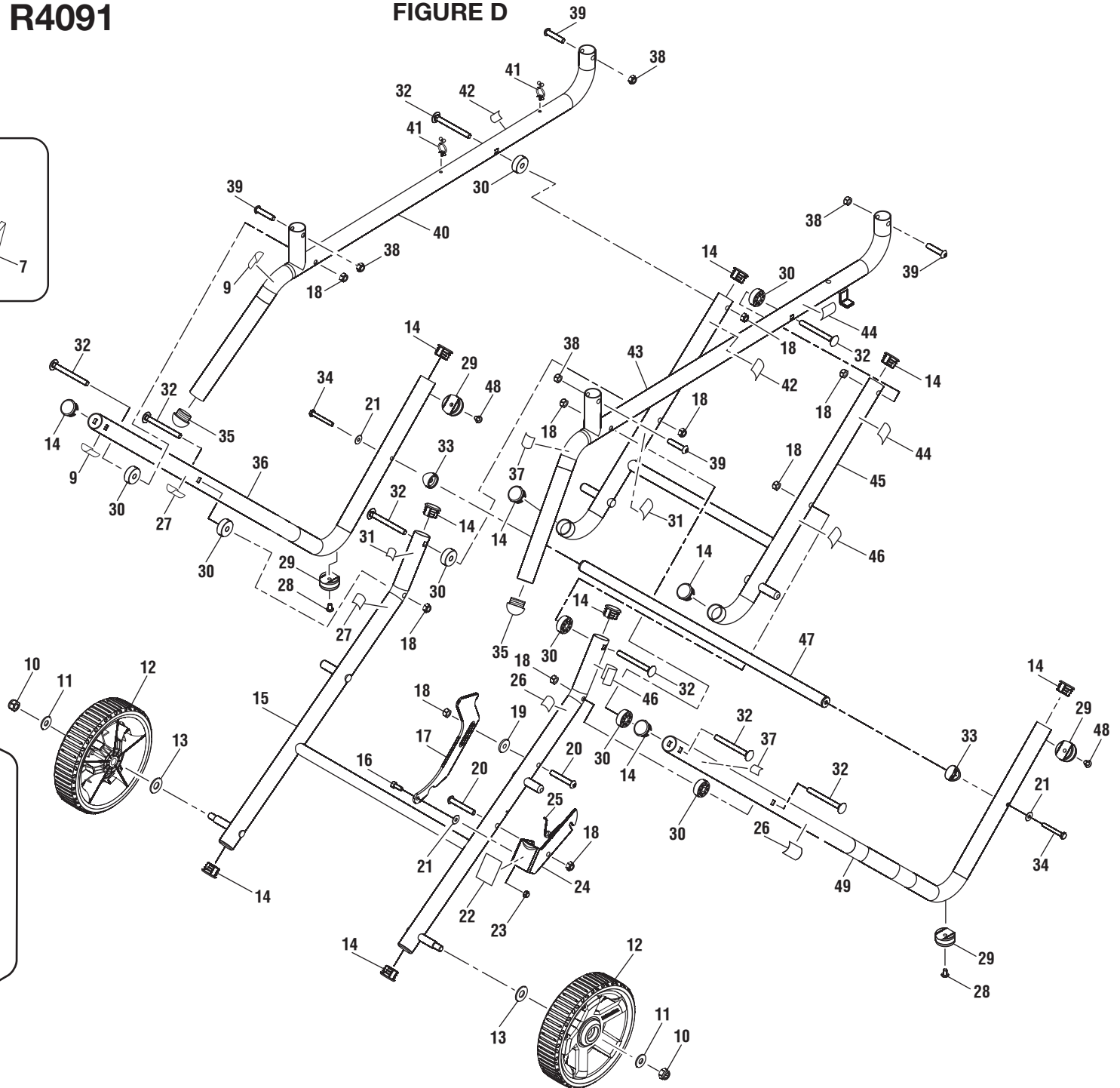
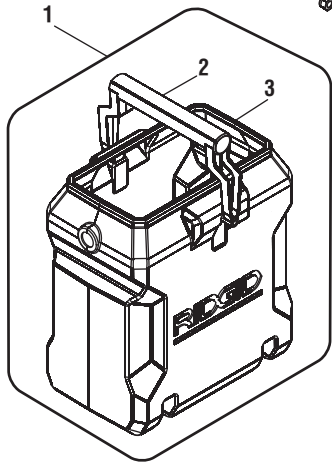
PARTS LIST FOR FIGURE C

KEY P/N	DESCRIPTION	QTY	KEY P/N	DESCRIPTION	QTY	KEY P/N	DESCRIPTION	QTY
68	080009008138 Spring Spacer.....	1	89	080009008113 Screw (M5 x 18 mm).....	3	110	080009008174 Laser Housing.....	1
69	080009008137 Spring	1	90	080009008169 Inner Blade Guard	1	111	080009008179 Laser Front/Back Adjustment Dial.....	1
70	080009005903 Hang Tag (Warning)	1	91	089009031019 Inner Guard Cover	1	112	080009008907 Aperture Warning Label.....	1
71	080009002910 Danger Label (GFCI).....	1	92	089009031031 Hose (3/8 in. OD x 1/4 in. ID x 2350 mm)	1	113	080009008147 Felt.....	1
72	089009031712 Power Cord Assembly (Inc. Nos. 70-71)	1	93	089009031017 Nozzle Fitting.....	1	114	080009008150 Spring	1
73	080009008191 Pump Cord	1	94	089009031018 Rubber Nozzle Body.....	2	115	080009008148 Spindle Lock Lever.....	1
74	080009008200 Conduit	1	95	080009008187 Rotary Spindle	1	116	080009008149 Spindle Lock Button	1
75	089009031902 Handle Housing Logo Label.....	1	96	080009008189 Splash Guard.....	1	117	089009031707 Spindle Assembly (Inc. Key Nos. 134-140)	1
76	089009031022 Upper "D" Handle.....	1	97	089009031032 Outer Blade Guard.....	1	118	080009008104 Needle Bearing	1
77	080009008195 Screw (M5 x 35 mm, Rd. Hd.)	4	98	089009031020 Wheel Guard Lock	1	119	080009008111 Reduction Gear	1
78	089009031034 Rubber Washer	4	99	080009008185 E-Ring (E-3)	2	120	080009008110 Key.....	1
79	080009008160 Strain Relief (SB6R-3).....	1	100	080009008183 Screw (M5 x 6 mm, Rd. Hd.)	1	121	080009008108 Spindle.....	1
80	080009008161 Strain Relief (SB7R-3).....	1	101	080009008184 Laser Left/Right Adjustment Dial.....	1	122	080009008109 Spindle Retainer	1
81	080009008156 Screw (M2.5 x 8 mm, Rd. Hd.)	1	102	080009008181 LED Holder	1	123	080009008106 Bearing (6003-2RS)	1
82	089009031016 Transformer.....	1	103	080009008182 Laser Cover	1	124	080009008107 Screw (M5 x 8 mm, Flat Hd.).....	1
83	080009008158 Terminal Block	1	104	080009008176 Laser Button And LED Assembly	1	125	080009008105 Bearing Housing.....	1
84	080009008159 Strain Relief (SB5M-2)	2	105	080009008180 Laser Lens	1	126	080009008304 Screw (M5 x 18 mm, Nylok).....	3
85	080009008151 Lower "D" Handle.....	1	106	080009008060 O-Ring (D1.9 x ID 5.8).....	1	127	080009008209 Inner Washer.....	1
86	080009008044 Screw (M5 x 10 mm, Rd. Hd.)	5	107	080009008175 Screw (M4 x 8 mm, Rd. Hd.)	3	128	080009008210 Tile Cutting Wheel (10 in.).....	1
87	080009008139 Pivot Shaft	1	108	080009008178 Spring	1	129	089009031023 Outer Washer.....	1
88	080009008036 Washer (D5.5 x D12 x 1t).....	4	109	080009008177 Laser Button Cover	1	130	080009008212 Wheel Nut (Spindle) (5/8-18).....	1
						131	080009008201 Cable Clamp (ACC-8-B)	2

FIGURE D



4





R4091

PARTS LIST FOR FIGURE D

KEY P/N	DESCRIPTION	QTY	KEY P/N	DESCRIPTION	QTY	KEY P/N	DESCRIPTION	QTY			
1	089009031709	Water Tank Assembly (Inc. Key Nos. 2-3).....	1	24	080009008273	Latch.....	1	48	080009008285	Screw (M6 x 10 mm, Rd. Hd.).....	2
2	080009008222	Water Tank Carry Handle.....	1	25	080009008275	Spring.....	1	49	080009008286	Right Support Tube.....	1
3	089009031024	Water Tank.....	1	26	080009008918	Label G.....	2	NOT SHOWN:			
4	089009031714	Pump Assembly (Inc. Key Nos. 5-8).....	1	27	080009008916	Label C.....	2	080009008715	Wheel Leg Assembly (Inc. Key Nos. 14-29; 4 of Key 14, 4 of Key 19 and 1 of Key 21)		
5	080009004912	Hang Tag (Cord Wrap).....	1	28	089009031037	Screw (M6 x 15 mm, Rd. Hd.).....	2	080009008716	Left Support Tube Assembly (Inc. Key Nos. 14, 26, 31, 33-34, 36 and 73)		
6	080009005920	Warning Label.....	1	29	080009008283	Stand Foot.....	4	080009008717	Right Support Tube Assembly (Inc. Key Nos. 14, 28, 33-34, 63, 67-68 and 73)		
7	089009031036	Pump Filter.....	1	30	080009008302	Ring.....	8	080009008718	Brace Assembly (Inc. Key Nos. 14, 25, 27, 55, 61 and 65)		
8	080009005913	Pump Logo.....	1	31	080009008915	Label B.....	2	080009008719	Left Main Tube Assembly (Inc. Key Nos. 36, 49 and 53-55)		
9	080009008919	Label D.....	2	32	080009008301	Carriage Bolt (M8 x 76.5 mm).....	8	080009008721	Right Main Tube Assembly (Inc. Key Nos. 49, 61, 62 and 63)		
10	080009008299	Hex Nut (M10).....	2	33	080009008288	Pivot Bushing.....	2	080009008711	Water Hose Kit (Inc. Key Nos. 37-43, 46-47 and 56-60; Figure A, Keys 19-20)		
11	080009008298	Washer (D10 x D24 x 2t).....	2	34	080009008300	Screw (M6 x 40 mm, Hex Hd.).....	2	987000632	Operator's Manual (R4091 Pump)		
12	080009008296	Wheel (8 in.).....	2	35	080009008291	Handle End Tube.....	2	990000887	Operator's Manual (089009031029)		
13	080009008297	Washer (D13 x D28 x 2t).....	2	36	080009008282	Left Support Tube.....	1	6-22-16	(Rev: 02)		
14	080009008002	Plug.....	12	37	080009008920	Label H.....	2				
15	080009008272	Wheel Leg.....	1	38	080009008029	Hex Nut (M8).....	4				
16	080009008277	Screw (M6 x 16 mm, Rd. Hd.).....	1	39	080009008268	Screw (M8 x 38 mm, Rd. Hd.).....	4				
17	080009008280	Lock Bracket.....	1	40	089009031027	Left Main Tube.....	1				
18	080009008276	Hex Nut (M8).....	10	41	080009008225	Hose Clamp.....	2				
19	080009008281	Washer (D8, D24, 4t).....	1	42	080009008921	Label A.....	2				
20	080009008274	Screw (M8 x 50 mm, Rd. Hd.).....	2	43	080009008295	Right Main Tube.....	1				
21	080009008278	Washer (D6 x D16 x 1t).....	3	44	080009008922	Label E.....	2				
22	080009008909	Unlock Label.....	1	45	080009008289	Brace.....	1				
23	080009008279	Hex Nut (M6).....	1	46	080009008917	Label F.....	2				
				47	080009008287	Bar.....	1				