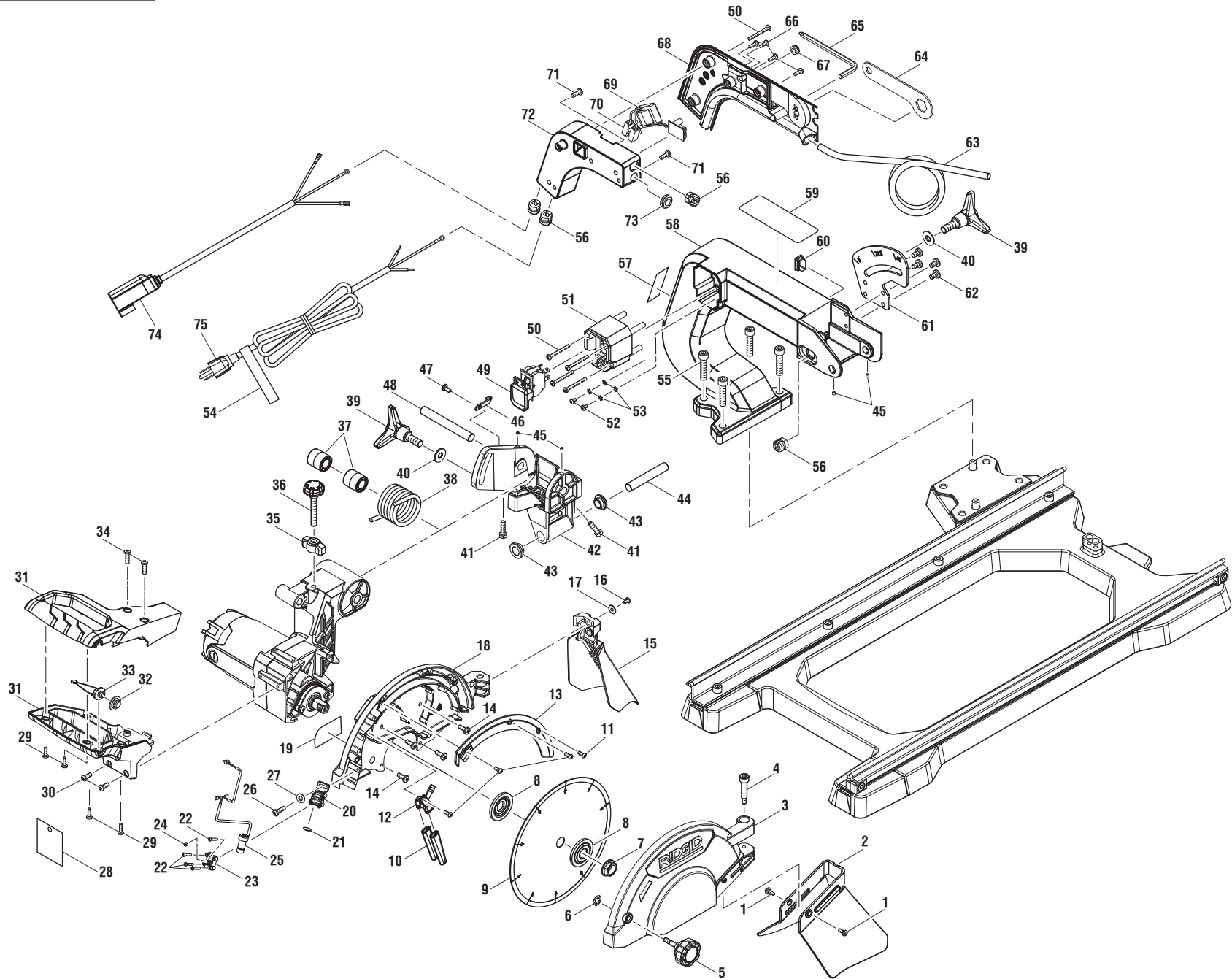


FIGURE A / FIGURA A



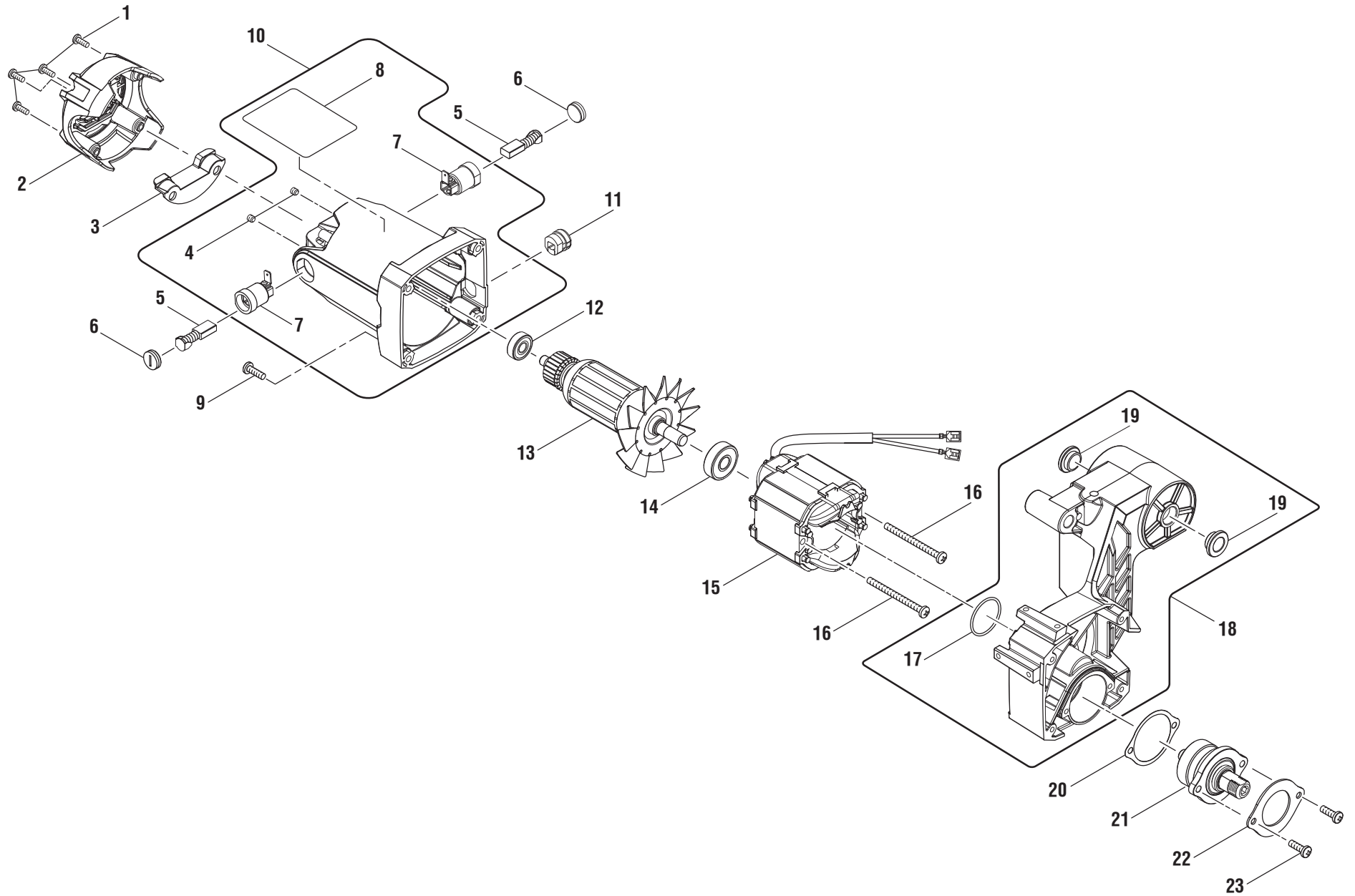


R4040/R4040S

FIGURE A

KEY	P/N	DESCRIPTION	QTY	KEY	P/N	DESCRIPTION	QTY	KEY	P/N	DESCRIPTION	QTY
1	089038001078	Screw (M4).....	2	31	089038001160	Handle Assembly.....	1	59	089038001901	Data Label	1
2	089038001077	Splash Guard.....	1	32	089038001093	Laser Switch Cover	1	60	089038001046	Grommet.....	1
3	089038001065	Outer Blade Guard.....	1	33	089038001094	Laser Switch.....	1	61	089038001042	Lock Plate.....	1
4	089038001096	Rotary Spindle.....	1	34	089038001095	Screw (M5 x 15 mm).....	2	62	089038001043	Screw (M6 x 10 mm).....	4
5	089038001066	Blade Guard Knob.....	1	35	089038001062	Wing Nut.....	1	63	089038001099	Hose	1
6	089038001067	Push Clip	1	36	089038001063	Knob	1	64	089038001098	Arbor Wrench.....	1
7	089038001068	Blade Nut.....	1	37	089038001060	Spacer	2	65	089038001097	Hex Wrench (6 mm)	1
8	089038001070	Blade Washer	2	38	089038001061	Plunge Spring	1	66	089038001049	Screw (M4 x 12 mm).....	4
9	**	Blade (8 in.).....	1	39	089038001045	Knob	2	67	089038001157	Wrench Holder.....	1
10	089038001073	Nozzle.....	2	40	089038001044	Washer (D10.5 x D20 x 1.6t).....	2	68	089038001050	Electrical Box Cover	1
11	089038001072	Screw (M4 x 8 mm).....	4	41	089038001056	Screw (M6 x 20 mm).....	2	69	089038001052	Laser Power Supply	1
12	089038001074	Nozzle Fitting.....	1	42	089038001703	Pivot Knuckle (Inc. Key No. 43)	1	70	089038001051	Terminal	1
13	089038001071	Inner Guard Cover	1	43	089038001054	Sleeve.....	2	71	089038001048	Screw (M5 x 12 mm).....	2
14	089038001075	Screw (M5 x 15 mm).....	4	44	089038001040	Bevel Pivot Shaft	1	72	089038001053	Electrical Box.....	1
15	089038001076	Splash Guard (Rear)	1	45	089038001041	Set Screw (M4 x 6 mm)	4	73	089038001047	Grommet.....	1
16	089038001080	Screw (M4 x 8 mm).....	1	46	089038001057	Angle Indicator	1	74	089038001100	Power Cord (Pump)	1
17	089038001079	Washer (ID4 x OD14 x 1t)	1	47	089038001058	Screw (M5 x 8 mm).....	1	75	089038001101	Power Cord (Inc. Key No. 54)	1
18	089038001064	Inner Blade Guard (Inc. Key No. 19)	1	48	089038001059	Arm Pivot Shaft.....	1	Not Shown:			
19	000941001017	Aperature Warning Label.....	1	49	089038001036	Switch.....	1	990000174	Operator's Manual (R4040)	1	
20	089038001085	Bracket	1	50	089038001037	Screw (M4 x 50 mm).....	5	990000487	Operator's Manual (R4040S)	1	
21	089038001084	Lens	1	51	089038001035	Switch Box	1	089038001159	Table Adjustment Wrench.....	1	
22	089038001082	Screw (M3 x 15 mm).....	4	52	089038001034	Screw (M4 x 8 mm).....	2	10-1-13 (Rev:03)			
23	089038001083	Laser Cover	1	53	080009022023	Star Washer (D4).....	4				
24	089038001081	Set Screw (M4 x 6 mm)	1	54	000941001018	Danger Cord Wrap.....	1				
25	089038001086	Laser Module Assembly	1	55	089038001038	Screw (M10 x 40 mm, Hex Soc. Hd.)	4				
26	089038001087	Screw (M4 x 8 mm).....	1	56	089038001039	Wire Holder.....	4				
27	089038001088	Washer (ID4.2 x OD10 x 1t)	1	57	000941001020	Caution Label	1				
28	000918003010	Warning Hangtag.....	1	58	089038001033	Upper Arm Assembly (Inc. Key Nos. 58-59).....	1				
29	089038001091	Screw (M4 x 12 mm).....	4								
30	089038001092	Screw (M5 x 12 mm).....	2								

** Complete Assortment available at your nearest Catalog Order or Retail Store.



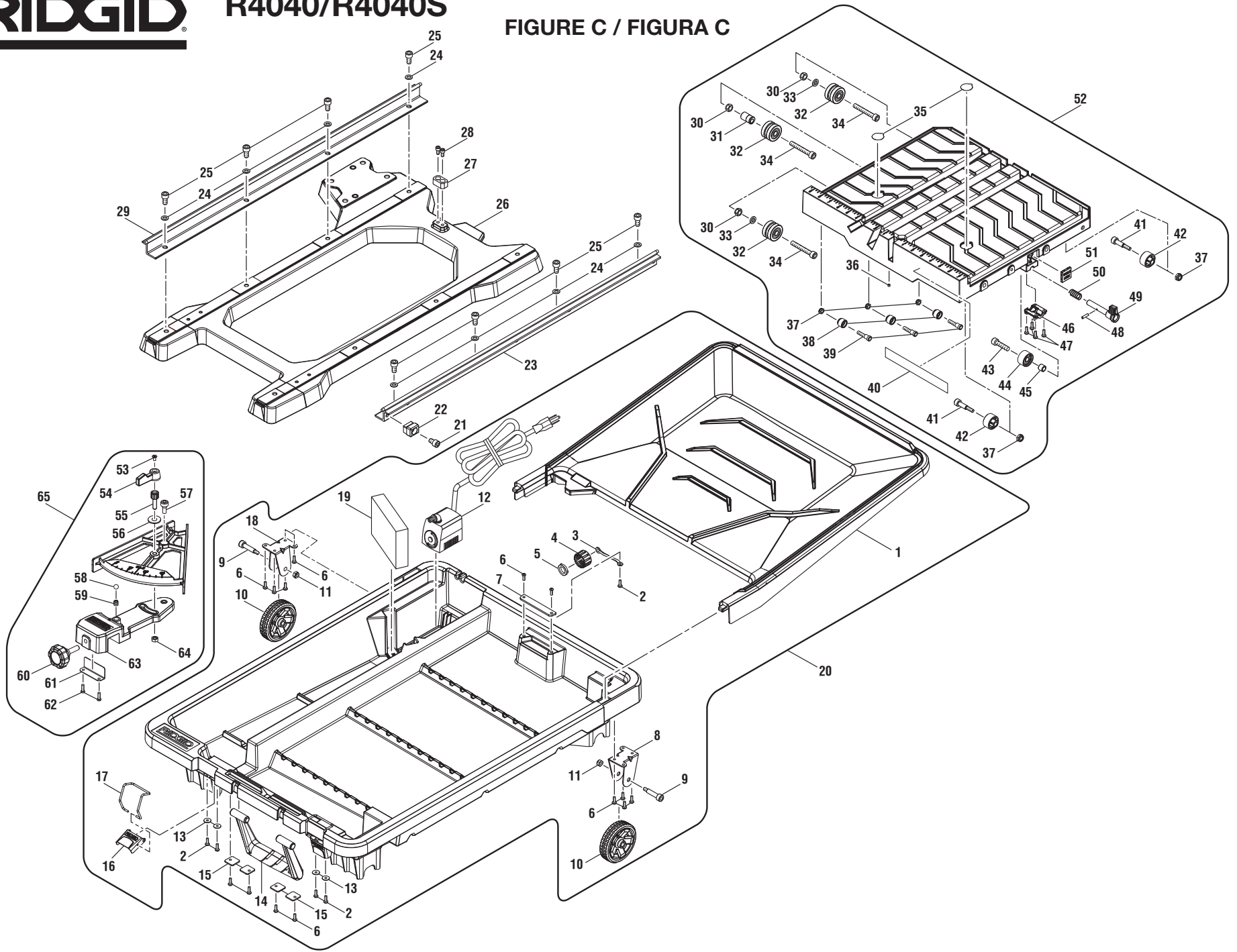


R4040/R4040S

FIGURE B / FIGURA B

KEY	P/N	DESCRIPTION	QTY	CLÉ	NUM.	DESCRIPTION	QTÉ.	LLAVE NÚM.	DESCRIPCIÓN	CANT.	
1	089038001112	Screw (M4 x 18 mm)	4	1	089038001112	Vis (M4 x 18 mm).....	4	1	089038001112	Tornillo (M4 x 18 mm)	4
2	089038001111	Motor End Cap.....	1	2	089038001111	Plaque d'extrémité du moteur	1	2	089038001111	Tapa del extremo del motor	1
3	089038001110	Motor Baffle.....	1	3	089038001110	Défecteur du moteur	1	3	089038001110	Deflector del motor	1
4	089038001109	Set Screw (M5 x 8 mm).....	2	4	089038001109	Vis d'arrêt (M5 x 8 mm)	2	4	089038001109	Tornillo fijadore (M5 x 8 mm)	2
5	089006017092	Brush Assembly	2	5	089006017092	Ensemble de balai	2	5	089006017092	Conjunto de la escobilla.....	2
6	089006017093	Brush Cap	2	6	089006017093	Couvercle de balai.....	2	6	089006017093	Tapa de la escobilla.....	2
7	089006017091	Brush Holder	2	7	089006017091	Support de balai.....	2	7	089006017091	Portaescobilla.....	2
8	089038001903	Warning Label	1	8	089038001903	Autocollant d'avertissement.....	1	8	089038001903	Etiqueta de advertencia	1
9	089038001107	Screw (M5 x 25 mm)	4	9	089038001107	Vis (M5 x 25 mm).....	4	9	089038001107	Tornillo (M5 x 25 mm).....	4
10	089038001706	Motor Housing Assembly (Inc. Key Nos. 4 and 7-8)...	1	10	089038001706	Ensemble de carter du moteur (inclut les pièces 4 et 7-8)	1	10	089038001706	Conjunto de alojamiento motor (incl. núms. ref. 4 y 7-8)	1
11	089038001039	Grommet	1	11	089038001039	Guide.....	1	11	089038001039	Hojal	1
12	089038001105	Ball Bearing (608LLU).....	1	12	089038001105	Roulement à bille (608LLU).....	1	12	089038001105	Cojinete de bolas (608LLU).....	1
13	089038001705	Armature Assembly (Inc. Key Nos. 12 and 14)..	1	13	089038001705	Ensemble d'induit (inclut les pièces 12 et 14). 1	1	13	089038001705	Conjunto del inducido (incl. núms. ref. 12 y 14)	1
14	089038001103	Ball Bearing (6200LLU 2RS C3).....	1	14	089038001103	Roulement à bille (6200LLU 2RS C3).....	1	14	089038001103	Cojinete de bolas (6200LLU 2RS C3).....	1
15	089038001102	Stator Assembly	1	15	089038001102	Assemblage du stator	1	15	089038001102	Ensamble del estator.....	1
16	089006017087	Screw (M5 x 65 mm)	2	16	089006017087	Vis (M5 x 65 mm).....	2	16	089006017087	Tornillo (M5 x 65 mm).....	2
17	089006017094	O-Ring	1	17	089006017094	Joint torique	1	17	089006017094	Junta tórica	1
18	089038001707	Gear Box Assembly (Inc. Key Nos.17 and 19)...	1	18	089038001707	Ensemble de boîte d'engrenages (inclut les pièces 17 et 19). 1	1	18	089038001707	Conjunto de la caja de engranajes (incl. núms. ref.17 y 19)	1
19	089038001054	Sleeve.....	2	19	089038001054	Manchon	2	19	089038001054	Manga	2
20	089006017108	Oil Seal	1	20	089006017108	Joint d'huile.....	1	20	089006017108	Aceite el sello	1
21	089038001708	Arbor Assembly.....	1	21	089038001708	Ensemble de axe.....	1	21	089038001708	Conjunto del árbol.....	1
22	089006017101	Arbor Plate	1	22	089006017101	Axe de plaque	1	22	089006017101	Placa del árbol.....	1
23	089038001113	Screw (M5 x 20 mm)	2	23	089038001113	Vis (M5 x 20 mm).....	2	23	089038001113	Tornillo (M5 x 20 mm).....	2

FIGURE C / FIGURA C



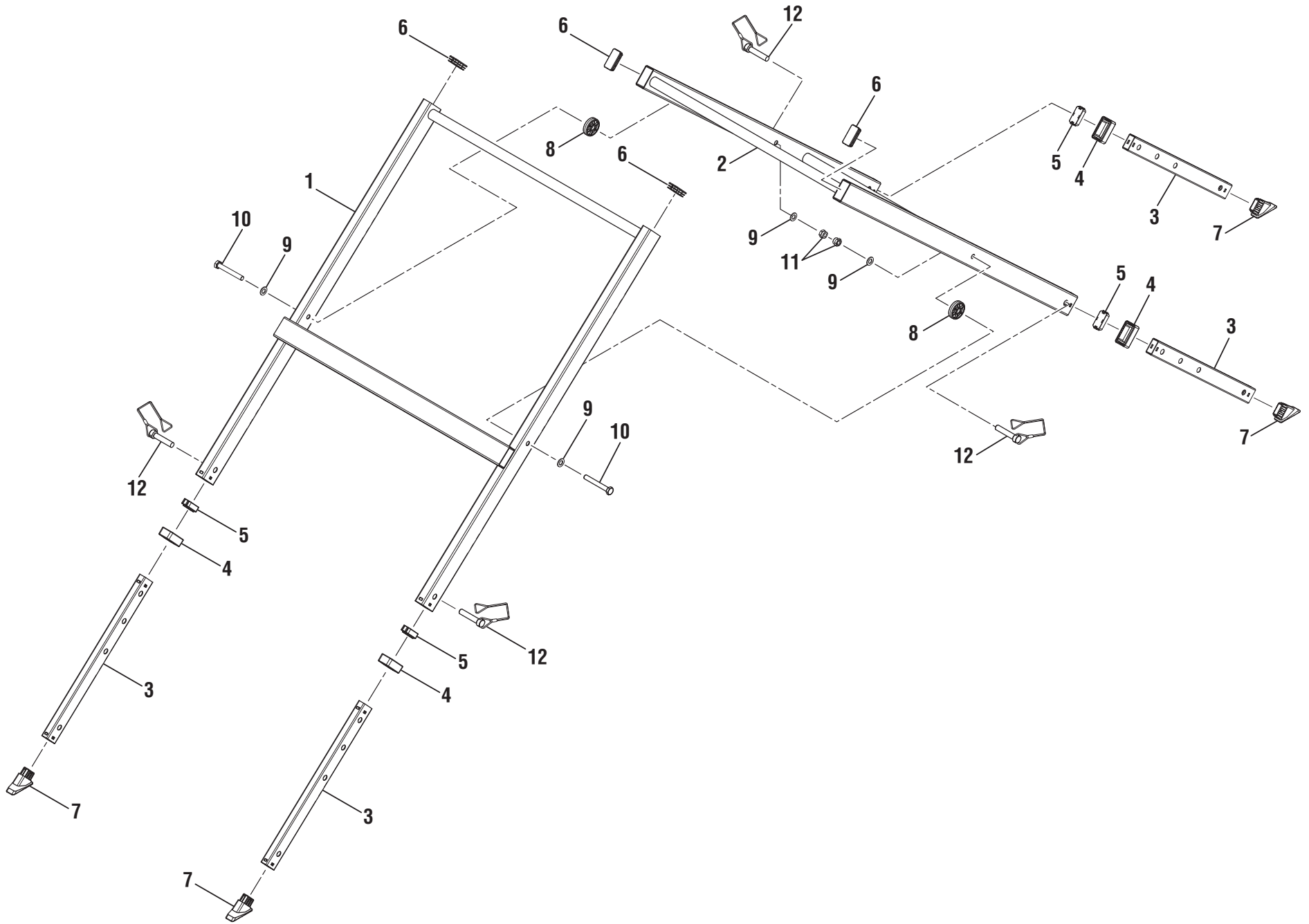


R4040/R4040S

FIGURE C

KEY	P/N	DESCRIPTION	QTY	KEY	P/N	DESCRIPTION	QTY	KEY	P/N	DESCRIPTION	QTY
1	089038001029	Water Tray (Rear).....	1	23	089038001006	Right Rail.....	1	44	089038001134	Roller Assembly	1
2	089038001028	Screw (M4 x 8 mm)	5	24	089038001009	Washer (ID8 x OD13 x 1.5t).....	8	45	089038001138	Spacer.....	1
3	089038001027	Water Tray Cap Band	1	25	089038001008	Screw (M8 x 15 mm, Hex Soc. Hd.).....	8	46	089038001140	Lever Bracket.....	1
4	089038001026	Drain Plug.....	1	26	089038001001	Base Assembly.....	1	47	089038001139	Screw (M4 x 12 mm)	4
5	089038001025	Seal	1	27	089038001004	Stop Block (Rear)	1	48	089038001142	Pin	1
6	089038001018	Screw (M4 x 12 mm)	14	28	089038001005	Screw (M6 x 15 mm, Hex Soc. Hd.).....	2	49	089038001141	Lever	1
7	089038001024	Lock Plate	1	29	089038001007	Left Rail	1	50	089038001143	Compression Spring	1
8	089038001022	Bracket (Right).....	1	30	089038001125	Lock Nut (M8).....	3	51	089038001144	Cover.....	1
9	089038001021	Axle Bolt (M6 x 40 mm)	2	31	089038001124	Spacer.....	1	52	089038001709	Table Assembly (Inc. Key Nos. 30-51).....	1
10	089038001020	Wheel	2	32	089038001710	Roller w/Bearings.....	3	53	089038001145	Screw (M4 x 8 mm)	1
11	089038001023	Lock Nut (M6).....	2	33	089038001123	Washer (ID8 x OD14 x 2.5t).....	2	54	089038001146	Miter Gauge Lock Knob..	1
12	089038001030	Water Pump	1	34	089038001119	Screw (M8 x 55 mm, Hex Soc. Hd.).....	3	55	089038001147	Screw	1
13	089038001017	Washer (ID4 x OD14 x 1t).....	4	35	941001014	No Hands Label	2	56	089038001158	Washer (ID6.5 x OD16 x 1.5t).....	1
14	089038001014	Front Handle.....	1	36	089038001129	Set Screw (M5 x 5 mm)...	1	57	089038001148	Screw (M6 x 16 mm)	1
15	089038001019	Handle Plate.....	4	37	089038001126	Lock Nut (M6).....	5	58	089006017011	Steel Ball (5/16 in.)	1
16	089038001015	Lock Plate	2	38	089038001127	Roller (Small)	3	59	089038001150	Compression Spring	1
17	089038001016	Clamp.....	2	39	089038001128	Screw (M6)	3	60	089038001151	Miter Gauge Knob.....	1
18	089038001032	Left Wheel Bracket.....	1	40	089038001904	Table Lock Label	1	61	089038001152	Lock Plate	1
19	089038001031	Filter	1	41	089038001130	Screw (M6)	2	62	089038001153	Screw (M4 x 8 mm)	2
20	089038001701	Water Pan Assembly (Inc. Key Nos. 1-19).....	1	42	089038001131	Support Roller	2	63	089038001154	Miter Gauge Base	1
21	089038001010	Screw (M8 x 12 mm, Hex Soc. Hd.).....	1	43	089038001133	Screw (M8 x 32 mm, Hex Soc. Hd.).....	1	64	089038001155	Hex Nut (M6)	1
22	089038001011	Rail Stop (Front)	1					65	089038001711	Miter Gauge Assembly (Inc. Key Nos. 53-64).....	1

FIGURE D / FIGURA D





R4040S

FIGURE D / FIGURA D

KEY	P/N	DESCRIPTION	QTY	CLÉ	NUM.	DESCRIPTION	QTÉ.	LLAVE NÚM.	DESCRIPCIÓN	CANT.
1	089041001001	Rail Bracket (Outside).....	1	1	089041001001	Support de barre (extérieur).....	1	089041001001	Support de riel (exterior)....	1
2	089041001002	Rail Bracket (Inside).....	1	2	089041001002	Support de barre (intérieur).....	1	089041001002	Soporte de riel (interior)....	1
3	089041001003	Adjustment Leg	4	3	089041001003	Pied de réglage	4	089041001003	Pata de ajuste	4
4	089041001004	Sleeve.....	4	4	089041001004	Manchon	4	089041001004	Tapa.....	4
5	089041001005	Cap.....	4	5	089041001005	Capuchon.....	4	089041001005	Retén.....	6
6	089041001006	Stopper.....	6	6	089041001006	Butée.....	6	089041001006	Pie	4
7	089041001007	Foot	4	7	089041001007	Pied	4	089041001007	Separador.....	2
8	089041001008	Spacer	2	8	089041001008	Pièce d'écartement	2	089041001008	Arruela (ID8.5 x OD25.5 x 2t)	4
9	089041001009	Washer (ID8.5 x OD25.5 x 2t)	4	9	089041001009	Rondelle (ID8.5 x OD25.5 x 2t)	4	089041001009	Tornillo (M8 x 60 mm)	2
10	089041001010	Screw (M8 x 60 mm)	2	10	089041001010	Vis (M8 x 60 mm).....	2	089041001010	Tuerca de seguridad (M8)..	2
11	089041001011	Lock Nut (M8).....	2	11	089041001011	Écrou de blocage (M8)	2	089041001011	Conjunto de pasador de seguridad	4
12	089041001702	Lock Pin Assembly.....	4	12	089041001702	Ensemble de axe de blocage.....	4	089041001701	Conjunto del banco (incl. núms. ref. 1-12).....	1
	089041001701	Stand Assembly (Inc. Key Nos. 1-12).....	1		089041001701	Assemblage du stand (inclut les pièces 1-12)	1			