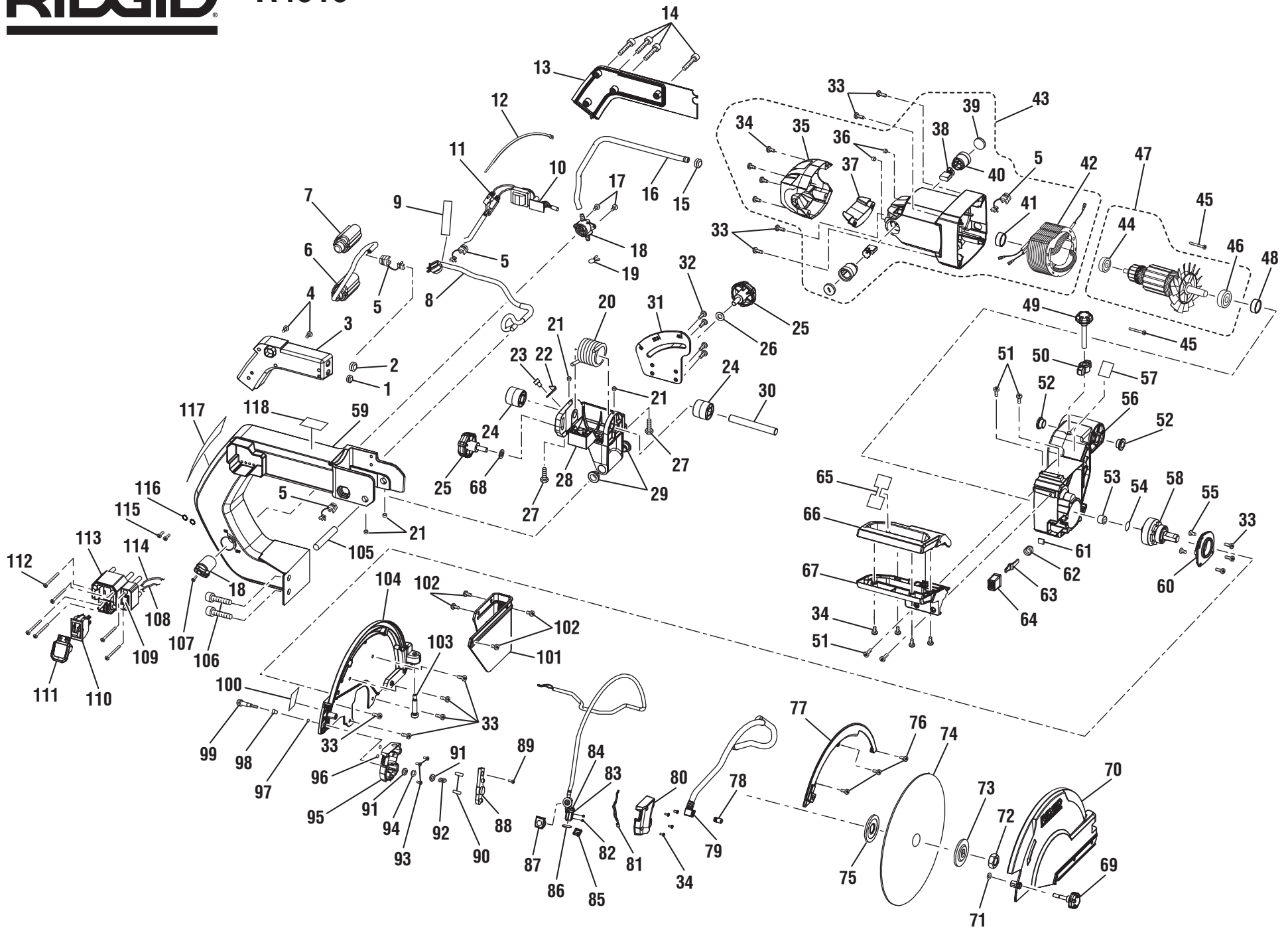
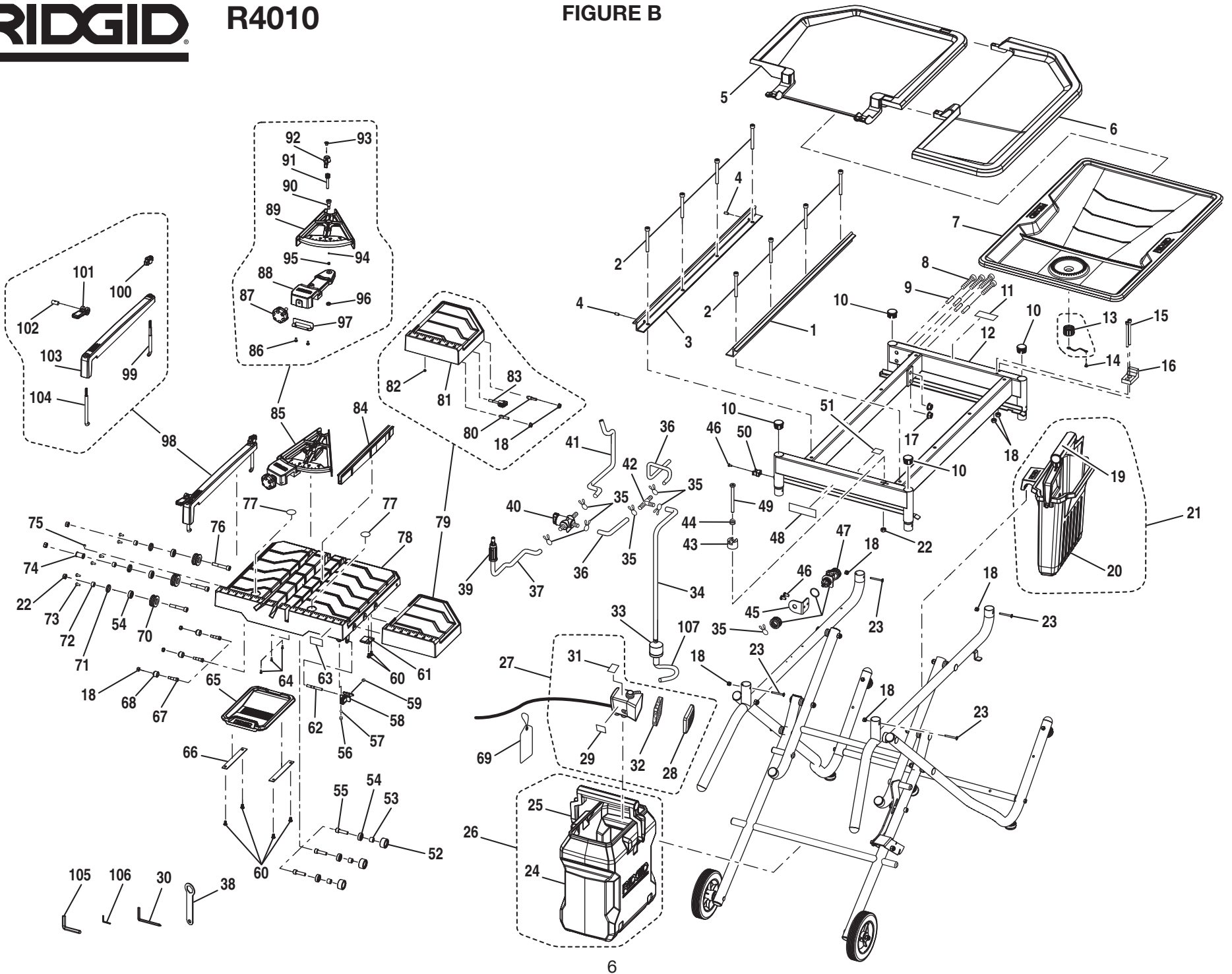


FIGURE A



PARTS LIST FOR FIGURE A

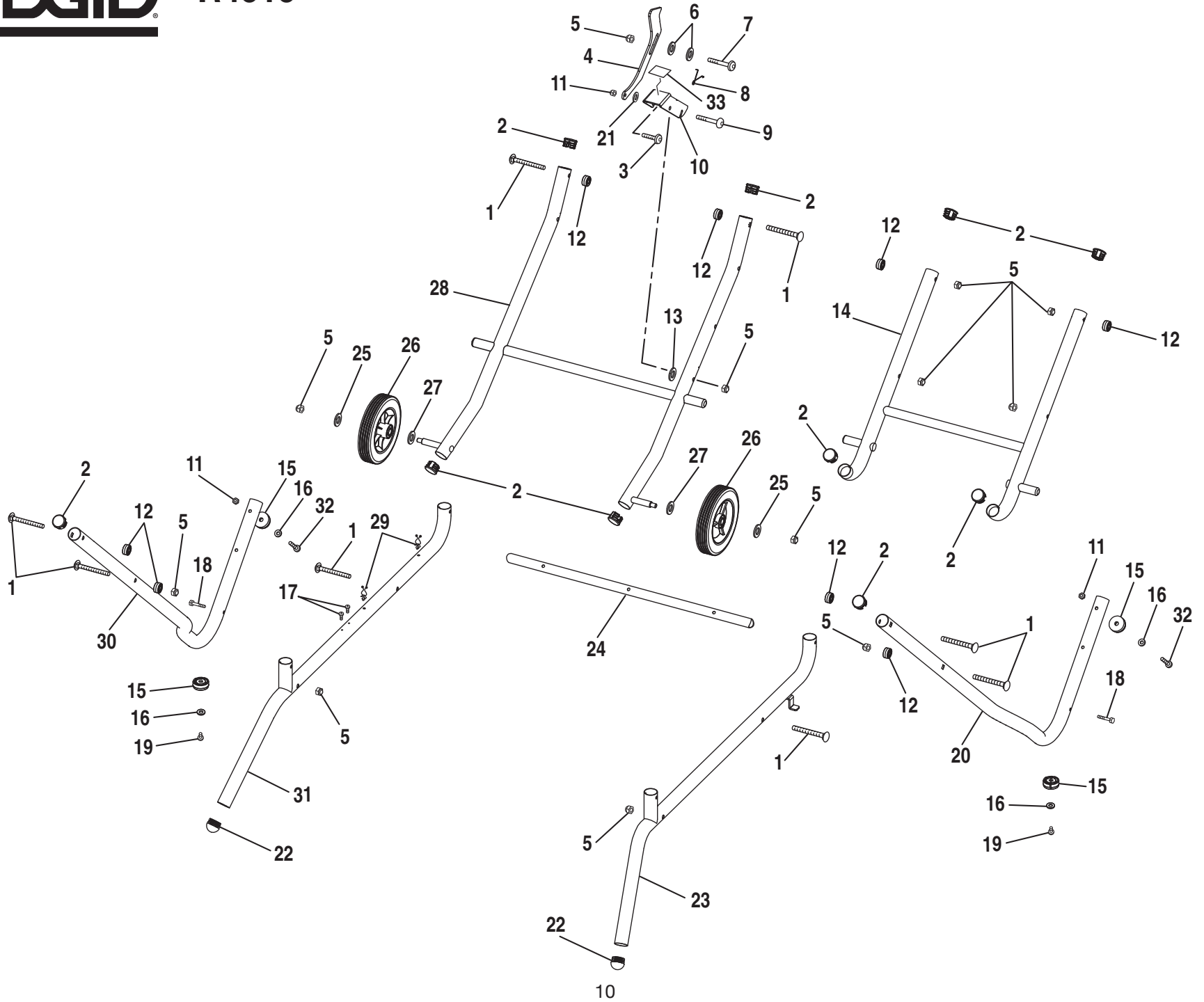
KEY	P/N	DESCRIPTION	QTY	KEY	P/N	DESCRIPTION	QTY	KEY	P/N	DESCRIPTION	QTY
1	080009002041	Grommet (11 mm).....	1	43	080009006711	Motor Housing Assembly (Incl. Key Nos. 5, 34-42).....	1	84	080009006070	Laser Module.....	1
2	080009005069	Grommet (3/8 in.).....	1	44	080009002085	Ball Bearing (608 2rs C3).....	1	85	080009005139	Dust Cover (LED).....	1
3	080009005071	Electric Box.....	1	45	080009006127	Screw (M5 x 75 mm, w/Washer).....	2	86	080009005137	Dust Cover (Laser).....	1
4	080009005033	Screw (M5 x 10 mm).....	2	46	080009006137	Ball Bearing (6202 2rs C3).....	1	87	080009006147	Circuit Board (PCB).....	1
5	080009005077	Strain Relief.....	4	47	080009006713	Armature Assembly (Incl. Key Nos. 44 and 46).....	1	88	080009005043	Locate Plate.....	1
6	080009006079	Receptacle.....	1	48	080009006125	Bushing.....	1	89	080009005143	Screw (M4 x 8 mm, Pan Hd.).....	1
7	080009005079	Receptacle Cover.....	1	49	080009005096	Depth Control Knob.....	1	90	080009005047	Laser Pin (D3 x 22 mm).....	2
8	080009006074	Power Cord.....	1	50	080009005097	Depth Control Nut.....	1	91	080009005130	Washer (D6.4 x 12 x 1.6t).....	2
9	080009002910	Danger Label (GFCI).....	1	51	080009006111	Screw (M5 x12 mm, Pan Hd.).....	4	92	080009005131	Laser Adjustment Spring.....	1
10	080009006706	Transformer Assembly.....	1	52	080009005156	Bushing.....	2	93	080009005132	Screw (M3 x 6 mm).....	3
11	080009005072	Terminal Block.....	1	53	080009006119	Needle Bearing (Hk1010).....	1	94	080009005129	E-Ring.....	1
12	080009005089	Tie Band (Cv180).....	1	54	080009006114	O-Ring (D47.35 x 1.8t).....	1	95	080009005128	Laser Cover (Inner).....	1
13	080009005087	Electric Box Cover.....	1	55	080009006120	Screw (M5 x 6 mm).....	2	96	080009005080	O-Ring.....	2
14	080009005088	Screw (M5 x 10 mm).....	4	56	080009006100	Gear Box.....	1	97	080009005056	Washer (D6.2 x D14 x 0.2t).....	1
15	080009005059	Grommet (4 mm).....	1	57	080009005907	Depth Stop Adjust Label.....	1	98	080009005035	Bushing.....	1
16	080009006068	Hose.....	1	58	080009006710	Arbor Assembly.....	1	99	080009005717	Laser Adjustment Knob Assembly.....	1
17	080009005066	Screw (M4 x 10 mm, Pan Hd.).....	2	59	080009006704	Support Arm Assembly.....	1	100	080009005904	Laser Warning Label.....	1
18	080009005705	Water Valve Assembly.....	1	60	080009006112	Bearing Bracket.....	1	101	080009006169	Splash Guard.....	1
19	080009005240	Hose Clamp.....	1	61	080009006106	Felt.....	1	102	080009005155	Screw (M5 x 8 mm).....	4
20	080009006173	Torsion Spring.....	1	62	080009005026	Spring.....	1	103	080009005153	Pivot Shaft.....	1
21	080009005160	Set Screw (M4 x 8 mm).....	4	63	080009006104	Spindle Lock.....	1	104	080009006139	Inner Wheel Guard.....	1
22	080009005090	Indicator.....	1	64	080009006103	End Cap.....	1	105	080009006181	Shaft.....	1
23	080009005091	Screw (M5 x 8mm, Pan Hd.).....	1	65	080009005903	Hang Tag (Warning).....	1	106	080009005168	Screw (M10 x 50 mm, Hex Soc.).....	2
24	080009005159	Spacer.....	2	66	080009005099	Upper Plunge Handle.....	1	107	080009005065	Screw (M3 X 25 mm, Pan Hd.).....	1
25	080009005094	Lock Knob.....	2	67	080009005098	Lower Plunge Handle.....	1	108	080009006090	Pump Wiring (2).....	1
26	080009005093	Washer (D8 x D16 x 2t).....	1	68	080009005243	Washer (D8 x D20 x 2t).....	1	109	080009006088	Pump Switch.....	1
27	080009005092	Screw (M6 x 20 mm, Hex Hd.).....	1	69	080009005151	Wheel Guard Lock.....	1	110	080009006707	Switch Assembly (Incl. Key No. 111).....	1
28	080009006708	Bevel Assembly (Incl. Key No. 29).....	1	70	080009006167	Outer Wheel Guard.....	1	111	080009005086	Switch Key.....	1
29	080009005165	Bushing.....	2	71	080009005150	C-Ring (C5).....	1	112	080009005084	Screw (M4 x 55 mm, Pan Hd.).....	6
30	080009005157	Motor Arm Pivot Shaft.....	1	72	080009002063	Hex Nut.....	1	113	080009006084	Switch Box.....	1
31	080009006176	Bevel Plate.....	1	73	080009006187	Flange (Outer).....	1	114	080009006089	Pump Wiring (1).....	1
32	080009005162	Screw (M6 x 10 mm, Hex Soc.).....	4	74	080009008210	Wheel (10 in.).....	1	115	080009005082	Screw (M4 x 8 mm, Pan Hd.).....	2
33	080009005118	Screw (M5 x 16 mm, Pan Hd.).....	12	75	080009006186	Flange (Inner).....	1	116	080009005081	Washer (M4, Serrated).....	2
34	080009005124	Screw (M4 x 12 mm, Pan Hd.).....	12	76	080009005148	Screw (M4 x 6 mm).....	3	117	080009002908	Caution Label (Receptacle).....	1
35	080009006122	End Cap.....	1	77	080009006161	Hose Cover.....	1	118	080009005902	Warning Label.....	1
36	080009005116	Set Screw (M5 x 5 mm).....	2	78	080009005145	Nozzle.....	1	NOT SHOWN:			
37	080009006123	Water Proof Baffle.....	1	79	080009005144	Barbed Fitting w/ Nozzle.....	1	987000685	Operator's Manual.....	1	
38	080009006129	Brush.....	2	80	080009005141	Laser Cover (Outer).....	1	7-26-11			
39	080009006128	Brush Cap.....	2	81	080009005135	LED.....	1	(REV:05)			
40	080009006130	Brush Holder.....	2	82	080009005140	Set Screw (M3 x 3 mm).....	2				
41	080009006124	Sleeve.....	1	83	080009005138	Adjust Block.....	1				
42	080009006712	Field Assembly.....	1								



PARTS LIST FOR FIGURE B

KEY	P/N	DESCRIPTION	QTY	KEY	P/N	DESCRIPTION	QTY	KEY	P/N	DESCRIPTION	QTY
1	080009005021	Right Rail	1	36	080009006235	Hose (330 mm)	2	74	080009005041	Guide Bushing	1
2	080009005018	Bolt (M8 x 70 mm, Hex Soc.)	8	37	080009005202	Hose (915 mm)	1	75	080009005042	Screw (M5 x 5 mm-FIX)	1
3	080009005020	Left Rail	1	38	080009002106	Wheel Wrench	1	76	080009005044	Shoulder Bolt (M8 x 50 mm, Hex Soc.) ...	3
4	080009005019	Set Screw (M8 x 12 mm, Nylock)	2	39	080009005199	Cleaning Nozzle	1	77	080009005905	No Hands Label	2
5	080009005005	Water Tray Extension	1	40	080009005722	Diverter Valve Assembly	1	78	080009006703	Table Assembly (Incl. Key Nos. 64, 77, 84)	1
6	080009006005	Water Tray Extension (Right Side)	1	41	080009005067	Hose (700 mm)	1	79	080009006719	Extension Table Assembly (Incl. Key Nos. 18, 80-83)	1
7	080009005701	Water Tray Assembly	1	42	080009006238	Barbed Fitting (T)	1	80	080009006208	Locator Pin	2
8	080009005170	Screw (M10 x 80 mm, Hex Soc.)	4	43	080009005023	Table Stop (Front)	1	81	080009006207	Extension Table	1
9	080009005006	Sleeve	4	44	080009005026	Compression Spring	1	82	080009006213	Set Screw (M5 x 5 mm)	1
10	080009005022	Plug (D28.6 mm)	4	45	080009006281	Bracket (L)	1	83	080009006720	Extension Knob Assembly	1
11	080009006903	Data Label	1	46	080009005082	Screw (M4 x 8 mm, Pan Hd.)	3	84	080009006034	Throat Plate	1
12	080009005702	Frame Assembly	1	47	080009006729	Hose Connector	1	85	080009005719	Miter Gauge Assembly (Incl. Key Nos. 86-97)	1
13	080009005002	Drain Plug	1	48	080009005911	Logo Label (Frame)	1	86	080009005181	Screw (M4 x 8 mm)	2
14	080009005004	Screw (M4 x 6 mm, Pan Hd.)	1	49	080009005024	Screw (M8 x 77 mm, Front Stopper)	1	87	080009005094	Lock Knob	1
15	080009005028	Bolt (M6 x 75 mm, Hex Hd.)	2	50	080009005204	Clip (Cleaning Nozzle)	1	88	080009005173	Miter Guide Bracket	1
16	080009005027	Rear Table Stop	1	51	080009005908	Table Stop Label	1	89	080009005172	Miter Guide Fence	1
17	080009005169	Hex Nut (M10)	2	52	080009006055	Guide Roller	3	90	080009005177	Miter Gauge Pivot Shaft	1
18	080009005029	Hex Nut (M6)	10	53	080009005055	Guide Roller Spacer	3	91	080009005178	Shoulder Screw	1
19	080009006217	Ready Rack™ Handle	1	54	080009005037	Ball Bearing (608)	6	92	080009005176	Lock Knob	1
20	080009006216	Ready Rack™ Tank	1	55	080009005057	Shoulder Bolt (Hex Hd.)	3	93	080009005179	Screw (M6 x 10 mm)	1
21	080009006722	Ready Rack™ Tank Assembly (Incl. Key Nos. 19, 20)	1	56	080009005051	Spring	1	94	080009005182	Ball (D8)	1
22	080009005025	Hex Nut (M8)	4	57	080009005050	Ball (4 mm)	1	95	080009005183	Spring	1
23	080009005233	Carriage Bolt (M6 x 35 mm)	4	58	080009005048	Table Lock Block	1	96	080009005180	Hex Nut (M6)	1
24	080009005184	Water Tank	1	59	080009005052	Set Screw (M5 x 5 mm)	1	97	080009005175	Miter Guide Plate	1
25	080009005185	Handle, Water Tank	1	60	080009005033	Screw (M5 x 8 mm, Pan Hd.)	6	98	080009006718	Span-Deck Clamp Assembly (Incl. Key Nos. 99-104)	1
26	080009005720	Water Tank Assembly (Incl. Key Nos. 24, 25)	1	61	080009005034	Plate (Table Assembly)	1	99	080009006205	Hanger (Rear)	1
27	080009005721	Pump Assembly (Incl. Key Nos. 28-29 and 31-32)	1	62	080009005049	Table Lock Shaft	1	100	080009006206	Knob	1
28	080009006004	End Cap, Water Pump	1	63	080009005906	Table Lock Label	1	101	080009006204	Cam Lever	1
29	080009005913	Water Pump Logo	1	64	080009006035	Screw (M4 x 12 mm)	3	102	080009006203	Cam Lever Pivot Shaft	1
30	080009002107	Hex Key (6 mm)	1	65	080009005031	Particle Trap	1	103	080009006201	Span-Deck Clamp	1
31	080009005914	Data Plate (Pump)	1	66	080009005032	Particle Trap Plate	2	104	080009006202	Hanger (Front)	1
32	080009006019	Filter, Water Pump	1	67	080009005046	Eccentric	3	105	080009006029	Hex Key (8 mm)	1
33	080009006239	Check Valve	1	68	080009005045	Roller (Fixed)	3	106	080009006028	Hex Key (4 mm)	1
34	080009006233	Hose (250 mm)	1	69	080009004912	Hang Tag (French/Spanish)	1	107	080009006234	Hose (50 mm)	1
35	080009005240	Hose Clamp	7	70	080009006038	Roller	3				
				71	080009005038	Spacer (Large)	3				
				72	080009005039	Spacer (Small)	3				
				73	080009005040	Screw (M63 x 4 mm, Pan Hd.)	6				

FIGURE C



PARTS LIST FOR FIGURE C

KEY	P/N	DESCRIPTION	QTY	PIÈCE RÉF.	DESCRIPTION	QTÉ	REF.	N/P	DESCRIPCIÓN	CANT.
1	080009005224	Carriage Bolt (M8 x 77 mm).....	8	1 080009005224	Boulon à collet carré (M8 x 77 mm).....	8	1	080009005224	Perno de carrocería (M8 x 77 mm).....	8
2	080009005022	Plug (D28.6, Stand).....	10	2 080009005022	Fiche (D28.6, stand).....	10	2	080009005022	Clavija (D28.6, pedestal).....	10
3	080009005227	Screw (M6 x 17 mm, Hex Soc.).....	1	3 080009005227	Vis (M6 x 17 mm, à tête creuse hexagonale).....	1	3	080009005227	Tornillo (M6 x 17 mm, cabeza hueca hexagonal).....	1
4	080009005221	Latch.....	1	4 080009005221	Loquet.....	1	4	080009005221	Pestillo.....	1
5	080009005025	Hex Nut (M8).....	12	5 080009005025	Écrou hexagonal (M8).....	12	5	080009005025	Tuerca hexagonal (M8).....	12
6	080009005235	Washer (D8 x D16 x 2.5t).....	2	6 080009005235	Rondelle (D8 x D16 x 2.5t).....	2	6	080009005235	Arandela (D8 x D16 x 2.5t).....	2
7	080009005234	Screw (M8 x 47 mm, Hex Soc.).....	1	7 080009005234	Vis (M8 x 47 mm, à tête creuse hexagonale).....	1	7	080009005234	Tornillo (M8 x 47 mm, cabeza hueca hexagonal).....	1
8	080009005223	Spring.....	1	8 080009005223	Ressort.....	1	8	080009005223	Resorte.....	1
9	080009005044	Shoulder Bolt (M8 x 50 mm, Hex Soc.).....	1	9 080009005044	Boulon à épaulement (M8 x 50 mm, à tête creuse hexagonale).....	1	9	080009005044	Perno de cuello grueso (M8 x 50 mm, cabeza hueca hexagonal).....	1
10	080009005245	Press Plate.....	1	10 080009005245	Plaque de pression.....	1	10	080009005245	Placa de prensa.....	1
11	080009005029	Hex Nut (M6).....	3	11 080009005029	Écrou hexagonal (M6).....	3	11	080009005029	Tuerca hexagonal (M6).....	3
12	080009004082	Spacer.....	8	12 080009004082	Entretoise.....	8	12	080009004082	Separador.....	8
13	080009005117	Washer (D8 x D16 x 1.5t).....	1	13 080009005117	Rondelle (D8 x D16 x 1.5t).....	1	13	080009005117	Arandela (D8 x D16 x 1.5t).....	1
14	080009005726	Center Brace.....	1	14 080009005726	Renfort central.....	1	14	080009005726	Riostra central.....	1
15	080009005228	Pad.....	4	15 080009005228	Coussinet.....	4	15	080009005228	Almohadilla.....	4
16	080009005102	Washer (D6 x D14 x 1t).....	4	16 080009005102	Rondelle (D6 x D14 x 1t).....	4	16	080009005102	Arandela (D6 x D14 x 1t).....	4
17	080009005082	Screw (M4 x 8 mm, Pan Hd.).....	2	17 080009005082	Vis (M4 x 8 mm, à tête bombée).....	2	17	080009005082	Tornillo (M4 x 8 mm, cabeza troncocónica).....	2
18	080009005232	Bolt (M6 x 35 mm, Hex Hd.).....	2	18 080009005232	Boulon (M6 x 35 mm, tête hex.).....	2	18	080009005232	Perno (M6 x 35 mm, cabeza hexagonal).....	2
19	080009005231	Screw (M6 x 16 mm, Hex Soc.).....	2	19 080009005231	Vis (M6 x 16 mm, à tête creuse hexagonale).....	2	19	080009005231	Tornillo (M6 x 16 mm, cabeza hueca hexagonal).....	2
20	080009005218	Right Outer Tube.....	1	20 080009005218	Tube extérieure droit.....	1	20	080009005218	Tubo exterior derecho.....	1
21	080009005149	Washer (D6 x D16 x 0.5t).....	1	21 080009005149	Rondelle (D6 x D16 x 0.5t).....	1	21	080009005149	Arandela (D6 x D16 x 0.5t).....	1
22	080009005241	Round Cap (D28.6).....	2	22 080009005241	Capuchon rond (D28.6).....	2	22	080009005241	Tapa redonda (D28.6).....	2
23	080009005723	Right Upper Tube Assembly.....	1	23 080009005723	Ensemble tube supérieur droit.....	1	23	080009005723	Conjunto del tubo superior derecho....	1
24	080009005220	Lower Brace.....	1	24 080009005220	Traverse inférieure.....	1	24	080009005220	Riostra inferior.....	1
25	080009005093	Washer (D8 x D16 x 2t).....	2	25 080009005093	Rondelle (D8 x D16 x 2t).....	2	25	080009005093	Arandela (D8 x D16 x 2t).....	2
26	080009005237	Wheel (6 in.).....	2	26 080009005237	Roue (6 po).....	2	26	080009005237	Rueda (6 pulg.).....	2
27	080009005238	Washer (D28 x D15 x 2t).....	2	27 080009005238	Rondelle (D28 x D15 x 2t).....	2	27	080009005238	Arandela (D28 x D15 x 2t).....	2
28	080009005725	Inner Leg Assembly.....	1	28 080009005725	Ensemble de pattes internes.....	1	28	080009005725	Conjunto de la pata interna.....	1
29	080009005200	Water Line Clip.....	2	29 080009005200	Attache de la conduite d'eau.....	2	29	080009005200	Sujetador para la línea de agua.....	2
30	080009005219	Left Outer Tube.....	1	30 080009005219	Tube extérieure gauche.....	1	30	080009005219	Tubo exterior izquierdo.....	1
31	080009005724	Left Upper Tube.....	1	31 080009005724	Tube supérieur gauche.....	1	31	080009005724	Tubo superior izquierdo.....	1
32	080009005187	Screw (M6 x 40 mm, Hex Soc.).....	2	32 080009005187	Vis (M6 x 40 mm, à tête creuse hexagonale).....	2	32	080009005187	Tornillo (M6 x 40 mm, cabeza hueca hexagonal).....	2
33	080009005916	Latch Label.....	1	33 080009005916	Étiquette de loquet.....	1	33	080009005916	Etiqueta de pestillo.....	1