

**RIDGID  
FULL ROUND HEAD FRAMING NAILER  
MODEL NO. R350RHF  
REPAIR SHEET**

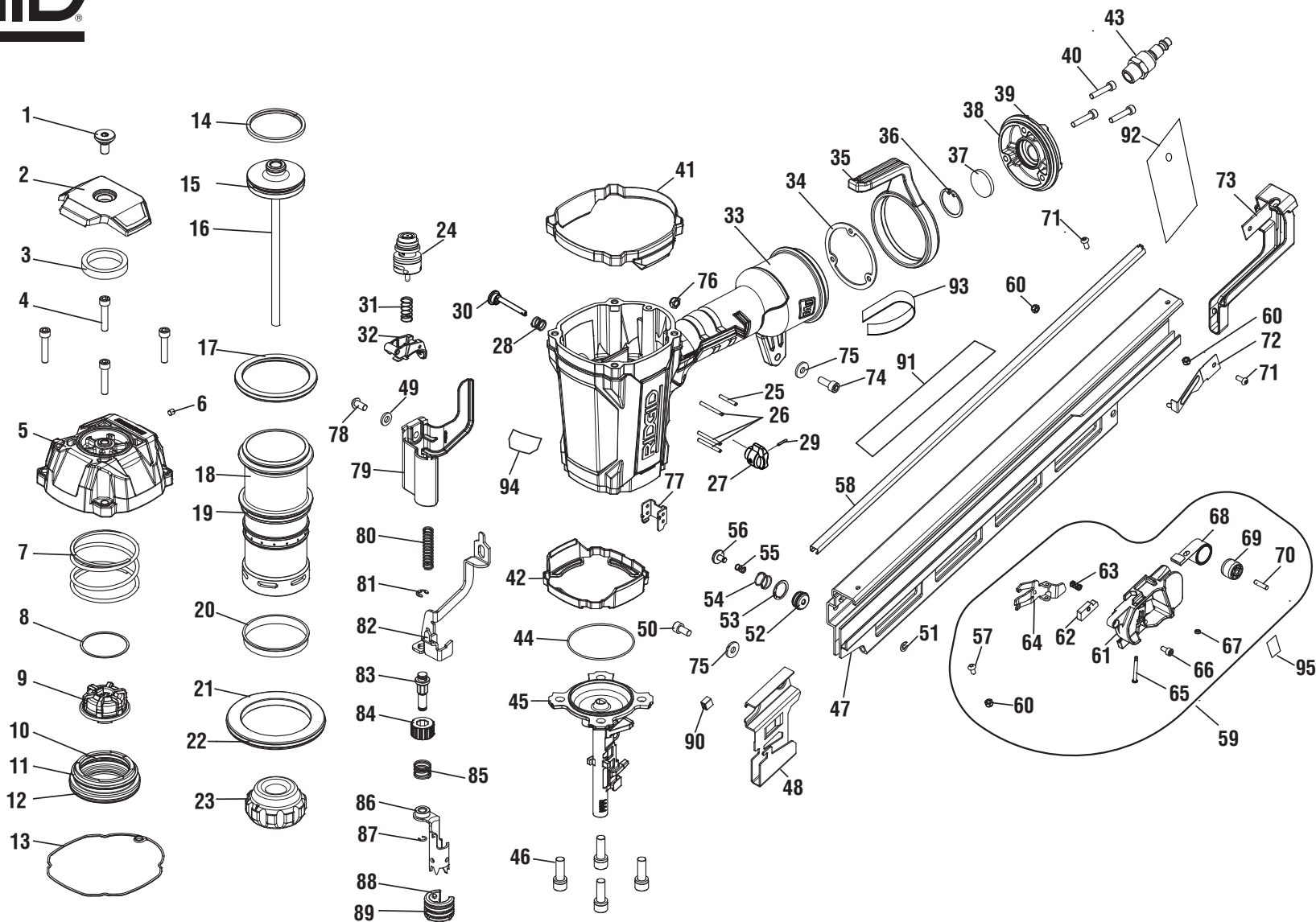
**RIDGID  
CLOUEUSE DE CHARPENTIER  
À TÊTE RONDE  
NO. DE MODÈLE R350RHF  
FEUILLE DE RÉPARATION**

**RIDGID  
CLAVADORA DE ENTRAMAR  
PARA CLAVOS DE CABEZA  
REDONDA NORMAL  
MODELO R350RHF  
LISTAS DE PIEZAS DE REPUESTO**

**ONE WORLD TECHNOLOGIES, INC.**

P.O. Box 1427  
Anderson, SC 29622, USA  
1-866-539-1710  
[powertools.RIDGID.com](http://powertools.RIDGID.com)

# RIDGID® R350RHF



**⚠ DANGER:** Do not use oxygen, combustible gases or bottled gases as a power source for this tool. The tool will explode and cause death or serious injury.

**⚠ DANGER :** Ne pas utiliser de l'oxygène ou des gaz combustibles ou en bouteille pour alimenter l'outil. L'outil exploserait, causant des blessures graves ou mortelles.

**⚠ PELIGRO:** No utilice oxígeno, gases combustibles ni gases embotellados como fuente de energía para esta herramienta. La herramienta explotará y causará la muerte o lesiones serias.

**⚠ WARNING:** Disconnect the tool from the air supply before performing maintenance. Failure to do so could result in serious personal injury.

**⚠ AVERTISSEMENT :** Débrancher l'outil de la source d'air avant tout entretien. Ne pas prendre cette précaution peut entraîner des blessures graves.

**⚠ ADVERTENCIA:** Desconecte la herramienta del suministro de aire antes de efectuar tareas de mantenimiento. La inobservancia de esta advertencia puede causar lesiones serias.



# R350RHF Full Round Head Framing Nailer

KEY	P/N	DESCRIPTION	QTY	KEY	P/N	DESCRIPTION	QTY	KEY	P/N	DESCRIPTION	QTY
1	079077051001	Deflector Bolt (M8 x 13.6, Pan Hd.) .....	1	37	079077051047	Filter .....	1	73	079077051082	Magazine End Cap.....	1
2	079077051002	Deflector.....	1	38	079077051048	End Cap .....	1	74	079077051083	Bolt (M6 x 16 mm, Hex Soc. Hd.).....	1
3	079077051003	Muffler .....	1	39	079077051049	O-Ring (60 x 2, 2060) .....	1	75	079077051084	Washer (OD16 x ID6.3 x t2).....	2
4	079077051004	Bolt (M6 x 30 mm, Hex Soc. Hd.).....	4	40	079077051050	Bolt (M5 x 25 mm, Hex Soc. Hd.).....	3	76	079077051085	Lock Nut (M6 x 1).....	1
5	079077051005	Top Cap.....	1	41	079077051051	Protective Cushion (Upper).....	1	77	079077051086	Workpiece Contact Guide.....	1
6	079077051006	Set Screw (M5 x 5 mm, Soc. Hd.) .....	1	42	079077051052	Protective Cushion (Lower).....	1	78	079077051087	Bolt (M6 x 12 mm, Pan Hd.) .....	1
7	079077051007	Compression Spring .....	1	43	079077051053	Air Plug (NPT 3/8-18) .....	1	79	079077051088	Workpiece Contact Cover.....	1
8	079077051008	Seal Washer (OD47.2 x ID43.2 x t0.5).....	1	44	079077051054	O-Ring (62.3 x 1.5) .....	1	80	079077051089	Workpiece Contact Spring A (9.9 x 44).....	1
9	079077051009	Seal .....	1	45	079077051055	Nosepiece .....	1	81	079077051090	E-Ring .....	1
10	079077051010	O-Ring (46.3 x 3.1) .....	1	46	079077051056	Bolt (M8 x 28 mm, Hex Soc. Hd.).....	4	82	079077051091	Workpiece Contact Arm.....	1
11	079077051011	Head Valve .....	1	47	079077051706	Magazine Assembly (Inc. Key Nos. 48, 50-58, 60, 71-76 & 91)....	1	83	079077051092	Adjuster Rod .....	1
12	079077051012	O-Ring (63.1 x 3.1) .....	1	48	079077051057	Jam Clearing Door .....	1	84	079077051093	Drive Depth Adjuster Knob .....	1
13	079077051013	Cylinder Cap Seal .....	1	49	079077051059	Washer (OD13 x ID6.5 x t2).....	1	85	079077051094	Workpiece Contact Spring B (6.6 x 27).....	1
14	079077051014	Piston Ring.....	1	50	079077051060	Bolt (M6 x 12 mm, Hex Soc. Hd.).....	1	86	079077051095	Workpiece Contact End .....	1
15	079077051015	O-Ring (45.7 x 2.62, AS133) .....	1	51	079077051061	E-Ring (ETW4).....	1	87	079077051096	Stopper Ring .....	1
16	079077051016	Driver Unit .....	1	52	079077051062	Door Latch Cover.....	1	88	079077051097	Protective Casing.....	1
17	079077051017	Cylinder Press Ring.....	1	53	079077051063	Ex-Concentric Ring.....	1	89	079077051098	Fixed Ring .....	1
18	079077051018	Cylinder .....	1	54	079077051064	Spring (13.8 x 10.6).....	1	90	079077051099	Feed Bumper .....	1
19	079077051019	O-Ring (59.4 x 3.1, G60) .....	1	55	079077051065	Latch Spring (6 x 9) .....	1	91	079077051901	Data and Warning Label.....	1
20	079077051020	Cylinder Ring.....	1	56	079077051066	Door Latch .....	1	92	079077051902	Data & Warning Hangtag (French/Spanish) .....	1
21	079077051021	Cylinder Spacer.....	1	57	079077051067	Bolt (M4 x 8 mm, Pan Hd.).....	1	93	079077051904	Trigger Wrap Label.....	1
22	079077051022	O-Ring (84.4 x 3.1, G85) .....	1	58	079077051068	Wear Rail .....	1	94	079077051906	Fasten Edge Label .....	1
23	079077051023	Bumper.....	1	59	079077051707	Pusher Assembly (Inc. Key Nos. 57 & 60-70) .....	1	95	079077051903	21° POP Label.....	1
24	079077051705	Trigger Valve Assembly (Inc. Key Nos. 27 & 30).....	1	60	079077051069	Lock Nut (M4 x 0.7).....	3	<b>Not Shown:</b>			
25	079077051035	Spring Pin (3 x 22).....	1	61	079077051070	Pusher Cover .....	1	983000623	Fastener Guide (079077051803)		
26	079077051036	Spring Pin (3 x 30).....	3	62	079077051071	Dry Fire Lockout Block.....	1	079077051702	Overhaul Kit		
27	079077051100	Mode Selector Switch.....	1	63	079077051072	Spring (5.8 x 11) .....	1	079077051701	Driver Maintenance Kit		
28	079077051038	Spring (10.8 x 11) .....	1	64	079077051073	Pusher .....	1	079077051703	Oil And Wrench Kit (Inc. 5 mm Hex Key Wrench and Oil)		
29	079079012015	Mode Selector Button .....	1	65	079077051074	Pivot Pin .....	1	079077051704	Driver Assembly Kit		
30	079079012016	Spring Pin .....	1	66	079077051075	Bolt (M4 x 8 mm, Hex Soc. Hd.) ...	1	991000781	Operator's Manual (079077051802)		
31	079077051041	Spring (11.1 x 23) .....	1	67	079077051076	Pin Retainer.....	1	2-26-20			
32	079077051042	Trigger Unit.....	1	68	079077051077	Pusher Spring.....	1	(Rev:03)			
33	079077051043	Tool Body Unit.....	1	69	079077051078	Pusher Spring Roller .....	1				
34	079077051044	Gasket .....	1	70	079077051079	Roll Pin .....	1				
35	079077051045	Rafter Hook.....	1	71	079077051080	Bolt (M4 x 10 mm, Pan Hd.).....	2				
36	079077051046	C-Ring (RTW28).....	1	72	079077051081	Nail Stop Plate .....	1				