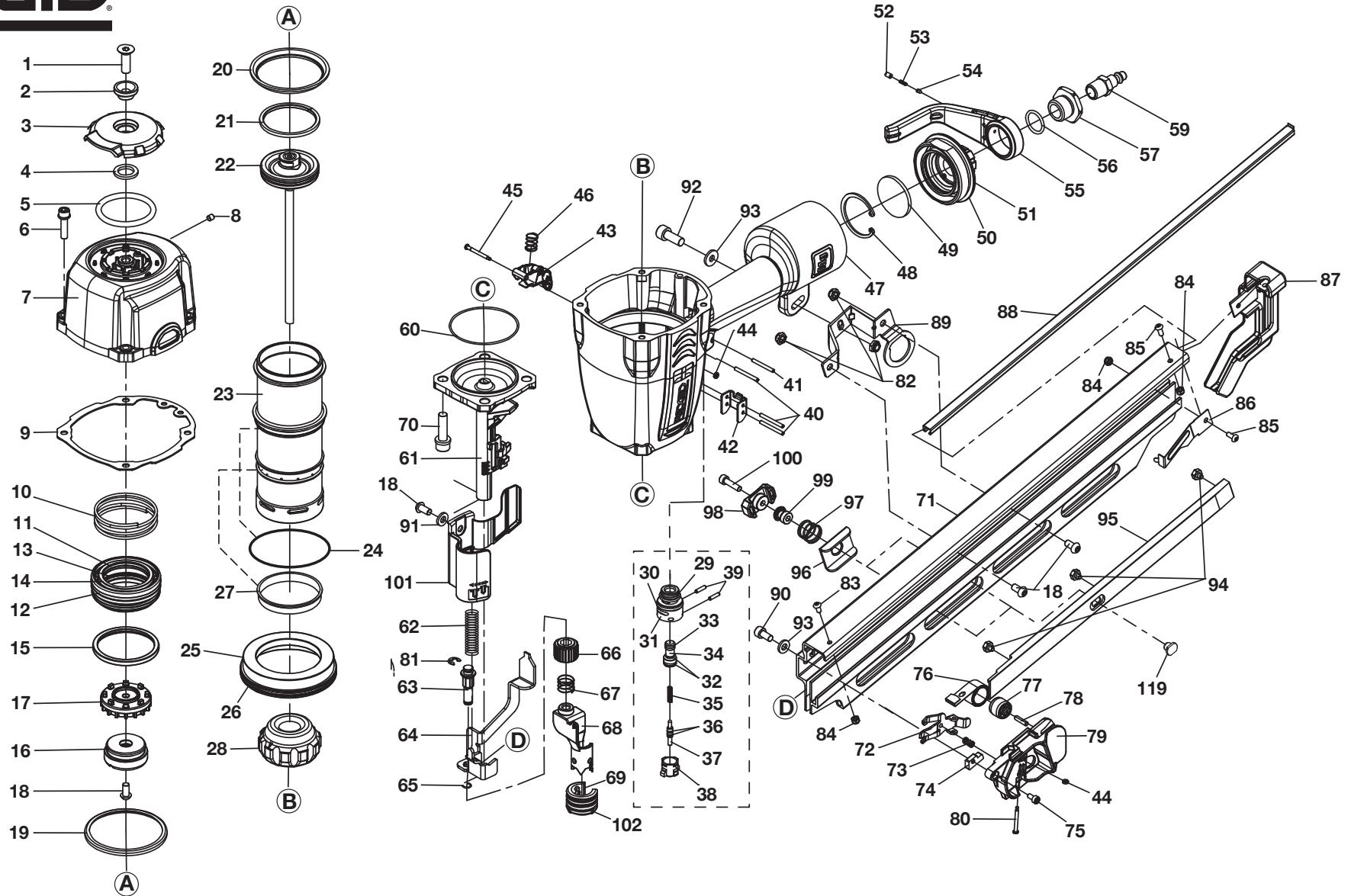


RIDGID R350RHA



⚠ DANGER: Do not use oxygen, combustible gases or bottled gases as a power source for this tool. The tool will explode and cause death or serious injury.

⚠ DANGER : Ne pas utiliser de l'oxygène ou des gaz combustibles ou en bouteille pour alimenter l'outil. L'outil exploserait, causant des blessures graves ou mortelles.

⚠ PELIGRO: No utilice oxígeno, gases combustibles ni gases embotellados como fuente de energía para esta herramienta. La herramienta explotará y causará la muerte o lesiones serias.

⚠ WARNING: Disconnect the tool from the air supply before performing maintenance. Failure to do so could result in serious personal injury.

⚠ AVERTISSEMENT : Débrancher l'outil de la source d'air avant tout entretien. Ne pas prendre cette précaution peut entraîner des blessures graves.

⚠ ADVERTENCIA: Desconecte la herramienta del suministro de aire antes de efectuar tareas de mantenimiento. La inobservancia de esta advertencia puede causar lesiones serias.



R350RHA Full Round Head Framing Nailer

KEY	P/N	DESCRIPTION	QTY	KEY	P/N	DESCRIPTION	QTY	KEY	P/N	DESCRIPTION	QTY
1	079002001001	SCREW (COUNTER SUNK) (M8 x 1.25-25) (3M2353)	1	49	079002001049	FILTER	1	92	079002001090	BOLT (HEX SOC. HD.).....	1
2	079002001002	DEFLECTOR PAD	1	50	079002001050	END CAP	1	93	079002001091	(M6 x 1.0-23)	1
3	079002001003	DEFLECTOR	1	51	079002001051	O-RING (56.5 x 3.1)	1	94	079005001092	FLAT WASHER (D16 x d6.3 x t2).....	1
4	079002001004	RUBBER PAD	1	52	079001001041	SCREW (HEX SOC. HD.) (M4 x 0.7-06)	1	95	079005001122	ANCHOR BLOCK	3
5	079002001005	MUFFLER ASSY	1	53	079001001040	POSITIONING SPRING	1	96	079005001094	STRAIGHT GUIDE COVER A	1
6	079002001006	BOLT ASSY (M6 x 1.0-30 + Dp6)	4	54	079001001039	POSITIONING AXIS	1	97	079005001095	GUIDE BLOCK	1
7	079002001007	CAP	1	55	079002001055	SPRING RETAINER	1	98	079005002013	SPRING	1
8	079002001008	SCREW (HEX SOC. HD.) (M5 x 0.8-05)	1	56	079002001056	O-RING (19.18 x 2.46)	1	99	079005001097	PRESS BUTTON	1
9	079002001009	CYLINDER CAP SEAL	1	57	079002001057	LATCH SPRING BUSHING (NPT 3/8 in.)	1	100	079005001098	GUIDE BOX	1
10	079002001010	COMPRESSION SPRING	1	59	079004001048	AIR PLUG (NPT 3/8 in.-18)	1	101	079005001099	BOLT (HEX SOC. HD.) (M5 x 0.8-22)	1
11	079002001011	O-RING (43.5 x 2.62)	1	60	079002001059	O-RING (63 x 1.5)	1	102	079005001107	WORK CONTACT ELEMENT COVER	1
12	079002001012	O-RING (60.2 x 3.1)	1	61	079005001060	NOSE PIECE	1	103	079002001093	FIXED RING	1
13	079002001013	O-RING (47.8 x 2.62)	1	62	079005001061	WORK CONTACT ELEMENT SPRING	1	104	079005001101	OVERHAUL KIT – NOT SHOWN (INCL. KEY NO. 9, 11-13, 15, 16, 20, 21, 24, 26-39, AND 44, PLUS LUBRICANT)	1
14	079002001014	HD. VALVE PISTON	1	63	079002001062	ADJUST ROD UNIT	1	105	079005001102	DRIVER MAINTENANCE KIT – NOT SHOWN (INCL. KEY NO. 9, 21, 22, AND 28, PLUS LUBRICANT)	1
15	079002001015	COLLAR	1	64	079005001063	CONTACT MECHANISM B	1	106	079002001096	DRIVER ASSEMBLY – NOT SHOWN (INCL. KEY NO. 21-22 PLUS LUBRICANT)	1
16	079002001016	SEAL	1	65	079002001064	RING	1	107	079002001098	TRIGGER ASSEMBLY – NOT SHOWN (INCL. KEY NO. 29-39)	1
17	079002001017	VALVE	1	66	079002001065	ADJUST KNOB	1	108	079002001097	OIL AND WRENCH KIT – NOT SHOWN (INCL. OIL AND 5 mm HEX KEY)	1
18	079002001018	HEX BOLT (HALF ROUND HD.) (M6 x 1.0-12)	3	67	079002001066	WORK CONTACT ELEMENT SPRING A	1	109	079002001099	BAG – NOT SHOWN	1
19	079002001019	PRESS RING	1	68	079005001067	WORK CONTACT ELEMENT A	1	110	079001001096	GLASSES – NOT SHOWN	1
20	079002001020	PRESS RING	1	69	079005001111	NO MAR PAD	1	111	079005001113	WARNING LABEL – NOT SHOWN	1
21	079002001021	PISTON RING	1	70	079002001068	BOLT ASSY (M8 x 1.25-30 + Dp8) (3M2353)	4	112	079005001110	DATA LABEL – NOT SHOWN	1
22	079005001022	DRIVER UNIT	1	71	079005001069	MAGAZINE A	1	113	079002001103	MAGAZINE SWITCH LABEL – NOT SHOWN	1
23	079002001023	CYLINDER	1	72	079005001070	PUSHER	1	114	983000611	LOGO LABEL – NOT SHOWN	2
24	079002001024	O-RING (59.4 x 3.1) (G60)	1	73	079002001071	SPRING	1	115	983000611R	OPERATOR'S MANUAL – NOT SHOWN	1
25	079002001025	CYLINDER SPACER	1	74	079005001072	SQUARE UNITS	1	116	983000623	REPAIR SHEET – NOT SHOWN	1
26	079002001026	O-RING (89.4 x 3.1) (G90)	1	75	079002001073	BOLT (HEX SOC. HD.) (M4 x 0.7-08)	1	117	079001001102	FASTENER GUIDE – NOT SHOWN	1
27	079002001027	CYLINDER RING	1	76	079002001074	SPRING	1	118	079005001119	TRIGGER WRAP LABEL – NOT SHOWN	1
28	079002001028	BUMPER	1	77	079002001075	ROLLING ELEMENT	1	119	079005002016	HANG TAG – NOT SHOWN	1
29	079002001029	O-RING (12.42 x 1.78) (AS014)	1	78	079002001076	ROLL PIN	1			LATCH SPRING BUSHING B	1
30	079002001030	O-RING (18.72 x 2.62)	1	79	079005001077	HOOD COVER	1				
31	079002001031	PLUNGER CAP	1	80	079001001028	TRIGGER PIVOT PIN	1				
32	079002001032	O-RING (8.8 x 1.9) (P9)	2	81	079002001089	E-RING (ETW6)	1				
33	079002001033	O-RING (5.8 x 1.9) (P6)	1	82	079002001080	LOCK NUT (M6 x 1.0)	3				
34	079002001034	VALVE PLUNGER	1	83	079001001067	HEX BOLT (HALF ROUND HD.) (M4 x 0.7-08)	1				
35	079002001035	SPRING	1	84	079001001064	LOCK NUT (M4 x 0.7)	3				
36	079001001024	O-RING (2.5 x 1.5) (S3)	2	85	079002001083	HEX BOLT (HALF ROUND HD.) (M4 x 0.7-10)	2				
37	079002001037	PLUNGER	1	86	079005001084	NAIL PLATE (STOP)	1				
38	079002001038	TRIGGER VALVE HEAD	1	87	079005001085	HOOD COVER	1				
39	079002001039	SPRING PIN (Dp3-12)	2	88	079005001086	STEEL CHANNEL	1				
40	079002001040	SPRING PIN (Dp3-30)	3	89	079005001087	BRACKET	1				
41	079002001041	SPRING PIN (Dp3-25)	1	90	079002001092	BOLT (HEX SOC. HD.) (M6 x 1.0-12) (3M2353)	1				
42	079002001042	WORK CONTACT ELEMENT	1	91	079002001079	FLAT WASHER (D13 x d6.5 x t2)	2				
43	079002001043	TRIGGER UNIT	1								
44	079001001029	RETAINER	2								
45	079002001045	TRIGGER PIVOT PIN	1								
46	079002001046	SPRING	1								
47	079002001047	TOOL BODY UNIT	1								
48	079002001048	C-RING (RTW42)	1								

03-10-06
(REV: 03)