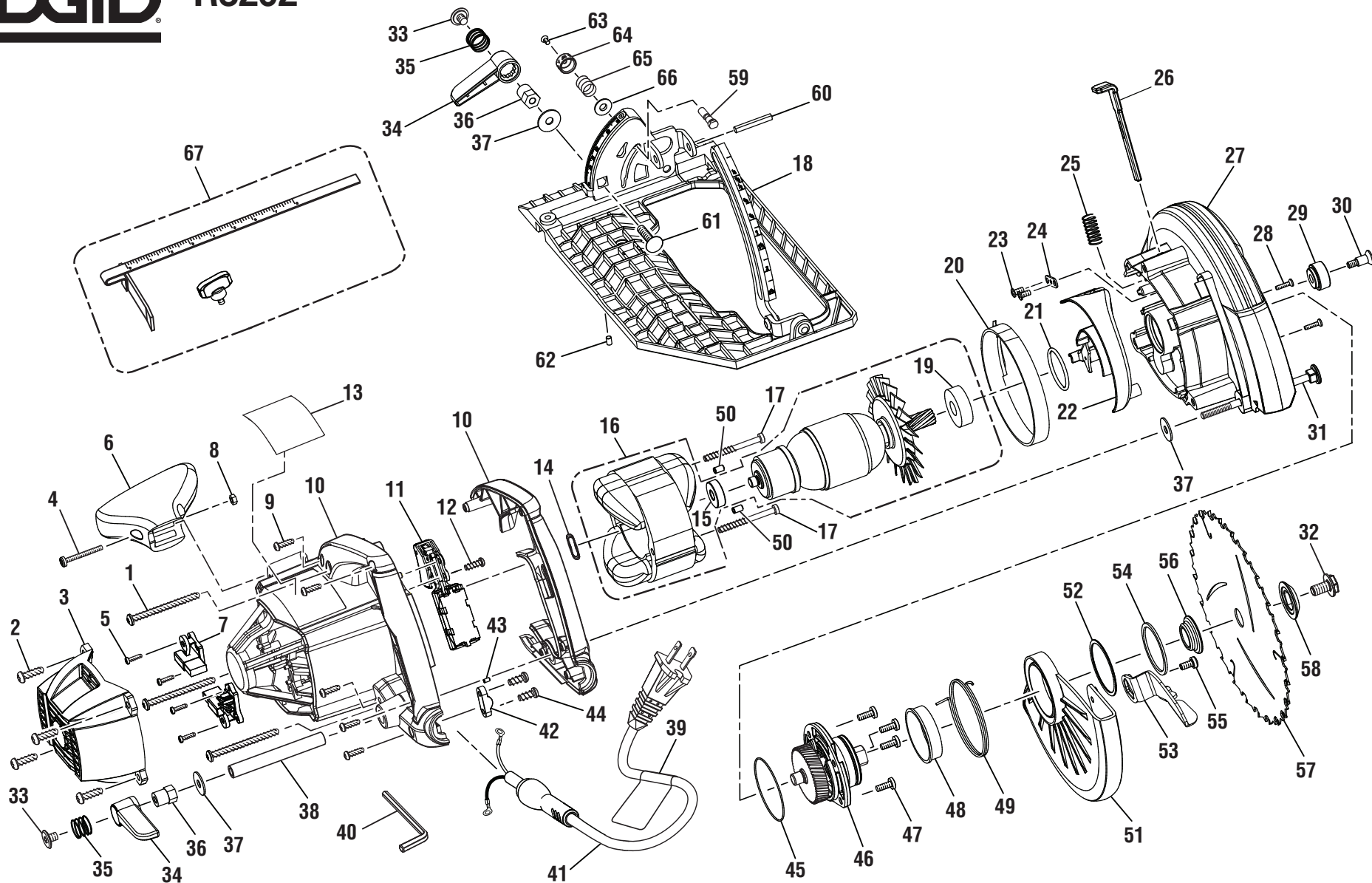


RIDGID® R3202



▲ **WARNING:** The assembly shown represents an important part of the Double Insulated System. To avoid the possibility of alteration or damage to the System, service should be performed by your nearest authorized service center.

▲ **AVERTISSEMENT :** L'ensemble illustré représente une partie importante du système à isolation double. Afin d'éviter la possibilité de modification ou de dommage au système, la réparation ne doit être effectuée que par votre centre de réparation centre commercial autorisé.

▲ **ADVERTENCIA:** El conjunto que se ilustra representa una parte importante del Sistema de Aislamiento Doble. Para evitar la posibilidad de alteración o daño del sistema, la reparación debe ser efectuada en su centro de servicio autorizado.

KEY	P/N	DESCRIPTION	QTY	KEY	P/N	DESCRIPTION	QTY	KEY	P/N	DESCRIPTION	QTY
1	661153001	Screw (M5 x 58 mm)	3	25	692037001	Spindle Lock Spring	1	49	692038001	Torsion Spring	1
2	661517001	Screw (M15 x 15 mm)	4	26	632370001	Spindle Lock	1	50	550339001	Plug	2
3	516845001	End Cap.....	1	27	200674001	Upper Blade Guard Assembly.....	1	51	200919001	Lower Blade Guard Assembly.....	1
4	661106002	Screw (M4 x 33.5 mm)	1	28	660204009	Screw (M3 x 14 mm)	2	52	631876003	Washer	1
5	660203060	Screw (M3 x 12 mm)	4	29	561984001	Bumper.....	1	53	631019002	Lower Blade Guard Lever.....	1
6	516846001	Front Handle.....	1	30	660905005	Screw (M5 x 20 mm)	1	54	680778003	External Ring	1
7	290069149	Brush Assembly	2	31	660842001	Elevation Bolt (1/4-20).....	1	55	660151008	Screw (M5 x 8 mm)	1
8	680022004	Hex Nut (M4 x 3.2 mm)	1	32	660988001	Blade Screw (5/16-18 x 9/16 In.).....	1	56	692091001	Inner Flange Bushing.....	1
9	660443001	Screw (8-16 x 5/8 In.)	5	33	660993001	Screw (1/4-20 x 7 mm).....	2	57	690954002	Blade (24t)	1
10	200672001	Motor Housing w/Handle Cover.....	1	34	513965005	Lever.....	2	58	692092001	Outer Blade Washer	1
11	760405003	Switch.....	1	35	681035001	Lever Spring	2	59	631687001	Bevel Pin	1
12	660208037	Screw (M4 x 12 mm)	1	36	660841002	Lever Nut (1/4-20)	2	60	680980004	Pivot Pin	1
13	940976254	Data Label	1	37	691142001	Washer	3	61	660858003	Carriage Bolt (1/4-20 x 3/4 In.).....	1
14	681108001	Wavy Spring Washer	1	38	631686001	Elevation Tube	1	62	660066005	Screw (8-32 x 1/4 In. Torx t-8 Set)	1
15	681100001	Ball Bearing (608RZSP).....	1	39	940264111	Cord Tag (FR/SP).....	1	63	661197001	Screw (M3 x 8 mm)	1
16	200146064	Motor Armature Assembly (Inc. Key Nos. 15 and 19).....	1	40	681231001	Blade Wrench (Hex Key, 6 mm).....	1	64	340061001	Bevel Button.....	1
17	660986001	Screw (8-16 x 1-3/4 In.).....	2	41	200950001	Power Cord (Inc. Key Nos. 39).....	1	65	681036001	Bevel Spring	1
18	302431001	Base Assembly.....	1	42	5950101	Cord Clamp	1	66	513967001	Bevel Washer.....	1
19	681102001	Ball Bearing (6201-2RI CD)	1	43	560984002	Rubber Plug	1	67	202050001	Edge Guide Accessory	1
20	516847001	Baffle	1	44	660024045	Screw (M4 x 13.5 mm)	2	Not Shown: 987000316 Operator's Manual..... 1			
21	561488001	O-Ring	1	45	561489001	O-Ring.....	1				
22	516848001	Volute.....	1	46	200681001	Lower Blade Guard Support w/Bearing Assembly.....	1	1-12-12 (REV:13)			
23	660208094	Screw (M4 x 8 mm)	2	47	660997001	Screw (10-24 x 1/2 In.)	4				
24	632425001	Spindle Lock Clamp	1	48	514310001	Lower Blade Guard Sleeve.....	1				