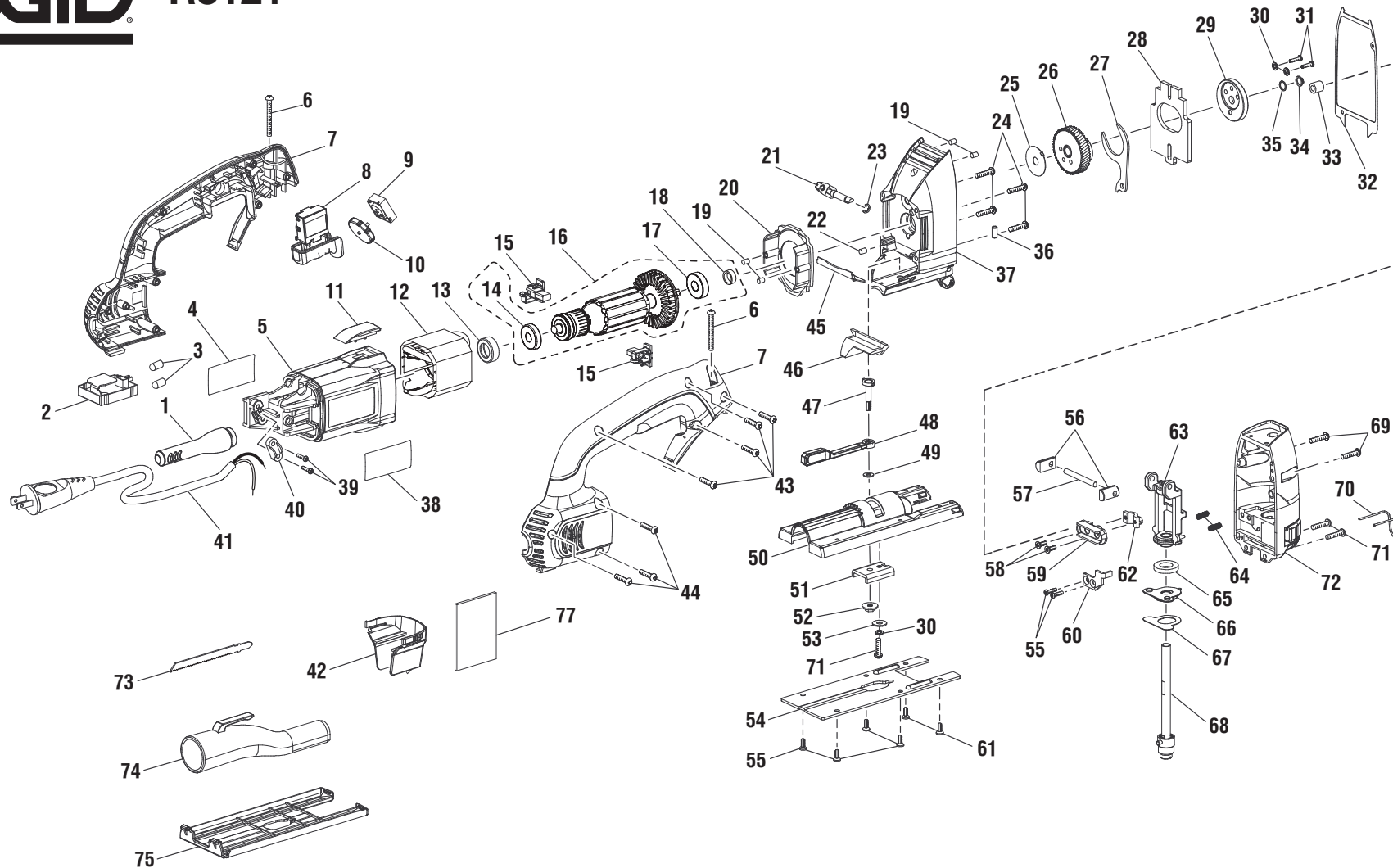


RIDGID® R3121



⚠ WARNING: The assembly shown represents an important part of the Double Insulated System. To avoid the possibility of alteration or damage to the System, service should be performed by your nearest authorized service center.

⚠ AVERTISSEMENT: L'ensemble illustré représente une partie importante du système à isolation double. Afin d'éviter la possibilité de modification ou de dommage au système, la réparation ne doit être effectuée que par votre centre de réparation centre commercial autorisé.

⚠ ADVERTENCIA: El conjunto que se ilustra representa una parte importante del Sistema de Aislamiento Doble. Para evitar la posibilidad de alteración o daño del sistema, la reparación debe ser efectuada en su centro de servicio autorizado.



R3121 Orbital Jig Saw

KEY	P/N	DESCRIPTION	QTY	KEY	P/N	DESCRIPTION	QTY	KEY	P/N	DESCRIPTION	QTY
1	560968001	BEND RELIEF	1	27	671769001	DRIVE PLATE	1	55	660827001	SCREW (M4 X 10 mm TORX FLAT HD.) ..	6
2	280019001	CIRCUIT BOARD ASSY	1	28	672367001	BALANCE BLOCK	1	56	513663001	PIVOT POST	2
3	870126002	WIRE NUT	2	29	671770001	ECCENTRIC PLATE	1	57	671777001	PIN	1
4	940051039	LOGO LABEL	1	30	6703001	WASHER	3	58	661065001	SCREW (M3.5 X 10 mm FIL. HD.)	2
5	513406001	MOTOR HOUSING	1	31	661214001	SCREW (M4 X12 mm TORX PAN HD.)	2	59	640971001	CONNECTING LINK	1
6	660400003	SCREW (M4 X 44 mm TORX PAN HD.) ...	2	32	901115001	GASKET	1	60	631498001	PRESSING PLATE	1
7	200202419	HOUSING ASSY	1	33	671441002	NEEDLE BEARING	1	61	660213012	SCREW (M4 X 13 mm TORX FLAT HD.) ..	2
8	760412001	SWITCH	1	34	6881401	E-RING	1	62	640970001	COVER PLATE	1
9	280020001	VARIABLE SPEED CIRCUIT BOARD ASSY	1	35	670037003	WASHER	1	63	301409001	SAW BAR GUIDE & SLEEVE ASSY	1
10	343415001	VARIABLE SPEED CONTROL SELECTOR	1	36	671824001	PIN	1	64	671780001	SPRING	2
11	513612001	MOTOR HOUSING INSERT	1	37	301414001	GEAR BOX & BLADE GUIDE ASSY	1	65	901102001	FELT SEAL	1
12	740745001	FIELD	1	38	940077068	DATA LABEL	1	66	301410001	OIL COVER ASSY	1
13	561267001	RUBBER BEARING SEAT	1	39	660114003	SCREW (M4 X 12 mm PAN HD.)	2	67	901321001	RUBBER SEAL	1
14	6814104	BALL BEARING (608ZZ)	1	40	5950101	CORD CLAMP	1	68	301139004	SAW BAR ASSY	1
15	290069080	BRUSH ASSY	2	41	730387020	POWER CORD	1	69	660212037	SCREW (M4 X 18 mm TORX PAN HD.) ...	2
16	200146032	ARMATURE W/BEARINGS (INC. KEY NOS. 14, 17, AND 18)	1	42	513408001	CHIP SHIELD	1	70	671775001	WIRE GUARD	1
17	680966002	BALL BEARING (608RS)	1	43	660024044	SCREW (M4 X 16 mm TORX PAN HD.) ...	4	71	660212038	SCREW (M4 X 9 mm TORX PAN HD.)	3
18	513403001	SPACER	1	44	660024011	SCREW (M4 X 28 mm TORX PAN HD.) ..	3	72	301320003	FRONT COVER & RELEASE LEVER ASSY	1
19	560712002	RUBBER BUMPER	4	45	513664001	AIRFLOW GUIDE PLATE	1	73	690227041	WOOD CUTTING BLADE (100 mm X 6 TPI)	1
20	513416001	BAFFLE	1	46	641007001	CLAMPING CLAW	1	74	513613001	VACUUM ATTACHMENT	1
21	301298001	ORBITAL ADJUSTMENT KNOB	1	47	301008002	BOLT TILT BASE	1	75	513410001	NO-MAR BASE PLATE	1
22	560747001	RUBER PIN	1	48	301010003	LOCK LEVER ASSEMBLY	1	76	902078001	TOOL BAG (NOT SHOWN)	1
23	671997001	E-RING	1	49	672030001	WASHER	1	77	983000819	OPERATOR'S MANUAL (960001164)	
24	660024019	SCREW (M4 X 34 mm TORX PAN HD.) ...	4	50	640965001	BASE	1		6-30-10		
25	671771001	WASHER	1	51	631438001	BASE CLAMP	1		(REV:10)		
26	300924005	GEAR ASSEMBLY	1	52	631083001	FIX NUT (M5.0 X 5.6 mm)	1				
				53	672059001	WASHER	1				
				54	631413001	METAL BASE COVER	1				