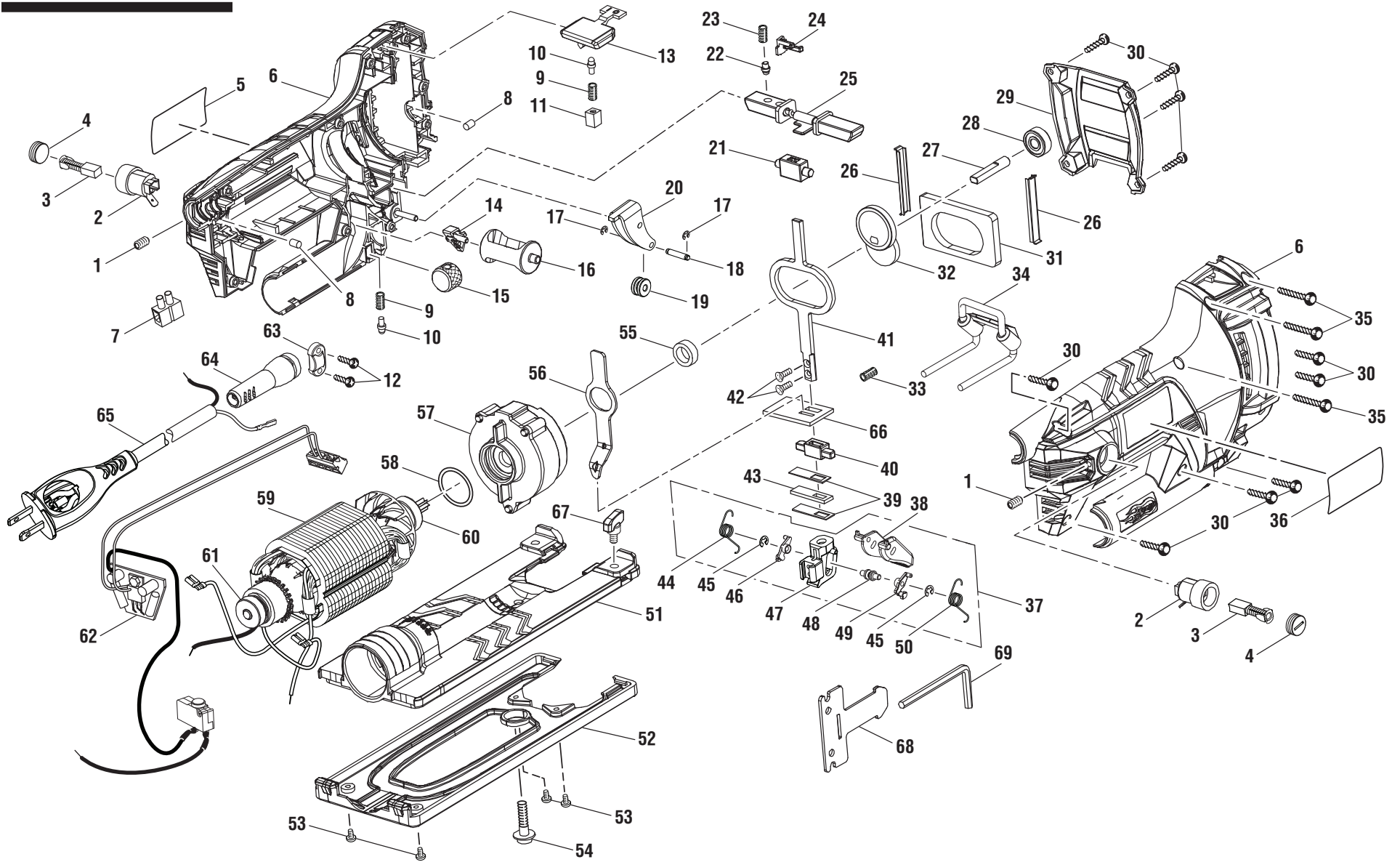


RIDGID® R31001



- ⚠ **WARNING:** The assembly shown represents an important part of the Double Insulated System. To avoid the possibility of alteration or damage to the System, service should be performed by your nearest authorized service center.
- ⚠ **AVERTISSEMENT:** L'ensemble illustré représente une partie importante du système à isolation double. Afin d'éviter la possibilité de modification ou de dommage au système, la réparation ne doit être effectuée que par votre centre de réparation centre commercial autorisé.
- ⚠ **ADVERTENCIA:** El conjunto que se ilustra representa una parte importante del Sistema de Aislamiento Doble. Para evitar la posibilidad de alteración o daño del sistema, la reparación debe ser efectuada en su centro de servicio autorizado.

RIDGID® R31001

KEY P/N	DESCRIPTION	QTY	KEY P/N	DESCRIPTION	QTY	KEY P/N	DESCRIPTION	QTY
1	660439003 Set Screw (M4 x 4.5 mm).....	2	27	621141002 Output Shaft.....	1	52	521927001 Subbase	1
2	516850001 Brush Holder	2	28	681296001 Ball Bearing.....	1	53	660211006 Screw (M3 x 6 mm)	4
3	290848001 Brush Assembly	2	29	641646001 Front Cover.....	1	54	661276001 Screw (M5 x 20 mm)	1
4	516851001 Brush Cap	2	30	660031012 Screw (M3.5 x 14 mm)	10	55	681426001 Bearing.....	1
5	940304530 Logo Label	1	31	633327001 Counterbalance.....	1	56	633328001 Orbital Bar	1
6	201754001 Housing Assembly.....	1	32	201636007 Eccentric w/Bearing Assembly	1	57	304035001 Gearcase Assembly.....	1
7	690331004 Terminal Block.....	1	33	692671001 Spring.....	1	58	562390001 O-Ring	1
8	560075001 Bearing Plug	2	34	201636005 Blade Guard Assembly.....	1	59	201636002 Motor Assembly	1
9	692670001 Compression Spring.....	2	35	660230009 Screw (M3 x 40 mm)	3	60	681461001 Ball Bearing (608RSB).....	1
10	692667001 Pin	2	36	940488184 Data Label	1	61	6972701 Ball Bearing (626Z).....	1
11	521974001 Detent Bracket	1	37	201636006 Blade Holder Assembly (Inc. Key Nos. 38 and 44-50).....	1	62	201754002 Circuit Board w/Switch Assembly.....	1
12	660206050 Screw (M3.5 x 10 mm)	2	38	350975002 Blade Clamp Lever.....	1	63	512879002 Cord Clamp	1
13	350970002 Switch Actuator.....	1	39	633458001 Shield Cover.....	2	64	560106001 Bend Relief.....	1
14	521972001 Blower Tube Button.....	1	40	611187001 Lower Bushing	1	65	730387039 Power Cord	1
15	692668001 Rotate Screw.....	1	41	633326002 Saw Bar.....	1	66	902538001 Felt Seal.....	1
16	521973001 Blower Tube.....	1	42	660228005 Screw (M3 x 6 mm, Flat Hd.).....	2	67	512777001 Guard Adjustment	1
17	692877001 E-Ring.....	2	43	562515001 Oil Shield	1	68	562574001 Hex Key Strap	1
18	680836007 Pin	1	44	691966001 Right Coil Spring	1	69	681215001 Hex Key (M4).....	1
19	692286002 Blade Guide Roller	1	45	671319001 E-Ring.....	2	Not Shown:		
20	633329001 Blade Guide Bracket	1	46	690377003 Right Linkage Arm.....	1	690227040	T-Shank Metal Cutting Blade	1
21	611186001 Upper Bushing	1	47	641638001 Blade Clamp Body	1	690227041	T-Shank Wood Cutting Blade.....	1
22	692675001 Detent Pin.....	1	48	671318002 Roller	1	902513003	Tool Bag	1
23	692674001 Spring.....	1	49	690377006 Left Linkage Arm	1	988000283	Operator's Manual (961067545).....	1
24	522114001 Retainer	1	50	691965001 Left Coil Spring.....	1	10-25-10		
25	201636004 Orbital Control Assembly	1	51	641668001 Base	1	(Rev:01)		
26	633379001 Slide Plate	2						