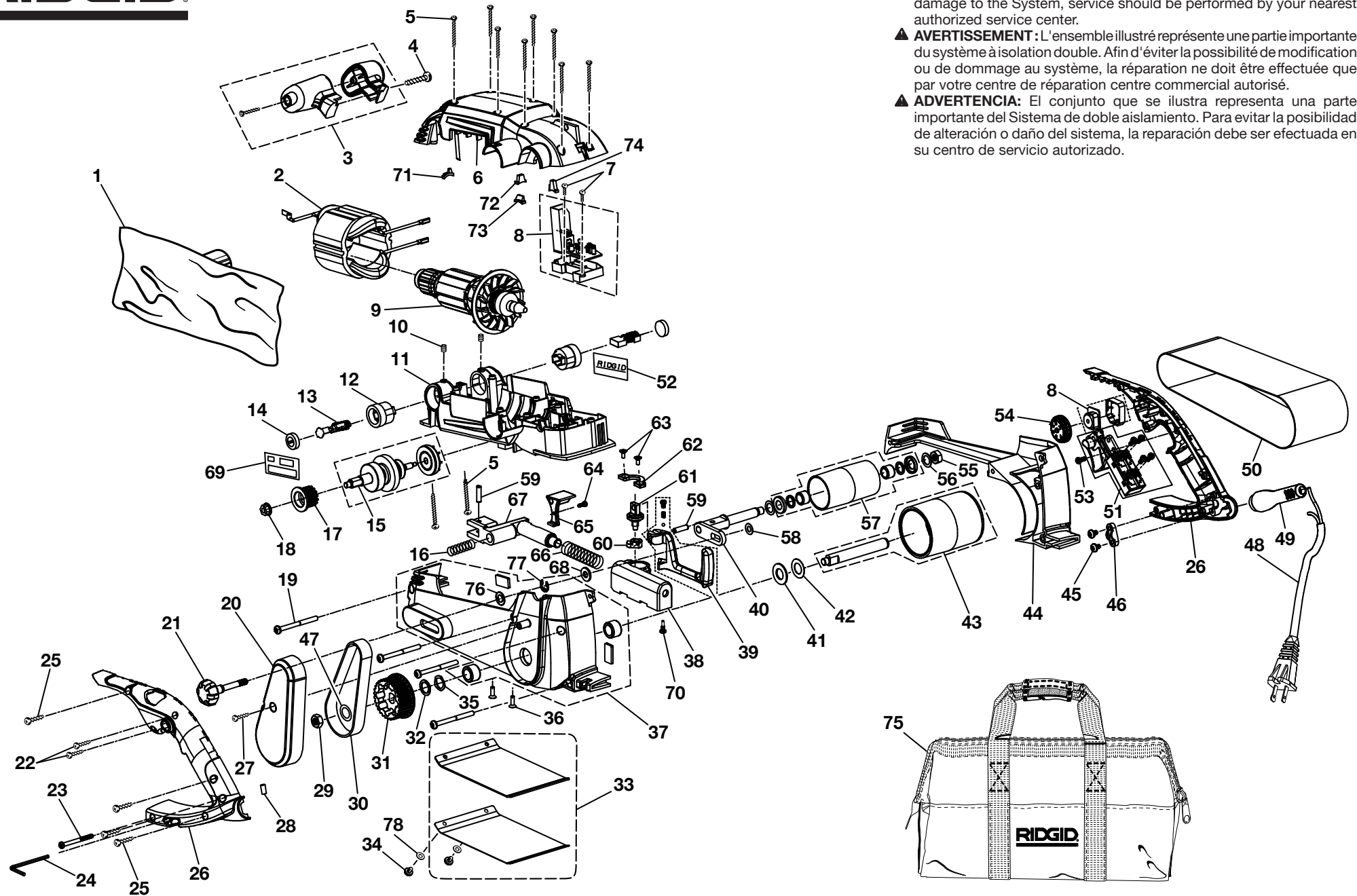


RIDGID® R2720



▲ **WARNING:** The assembly shown represents an important part of the Double Insulated System. To avoid the possibility of alteration or damage to the System, service should be performed by your nearest authorized service center.

▲ **AVERTISSEMENT :** L'ensemble illustré représente une partie importante du système à isolation double. Afin d'éviter la possibilité de modification ou de dommage au système, la réparation ne doit être effectuée que par votre centre de réparation centre commercial autorisé.

▲ **ADVERTENCIA:** El conjunto que se ilustra representa una parte importante del Sistema de doble aislamiento. Para evitar la posibilidad de alteración o daño del sistema, la reparación debe ser efectuada en su centro de servicio autorizado.



R2720 Belt Sander

KEY	P/N	DESCRIPTION	QTY	KEY	P/N	DESCRIPTION	QTY	KEY	P/N	DESCRIPTION	QTY
1	300027054	DUST BAG ASSEMBLY.....	1	28	5621901	CONTACT PLATE STOPPER.....	1	55	690551001	HEX NUT (M8)	1
2	740753001	FIELD.....	1	29	671683001	HEX NUT (M8)	1	56	671746002	THRUST WASHER	2
3	301288001	POMMEL HANDLE ASSEMBLY	1	30	513055002	TIMING BELT.....	1	57	301290001	IDLE ROLLER ASSEMBLY	1
4	660160003	SCREW (M4 x 28 mm SOCKET HEAD)...	1	31	611139001	DRIVEN PULLEY	1	58	671745001	THRUST WASHER	1
5	660422010	SCREW (M4 x 30 mm TORX)	10	32	671829001	WASHER	1	59	671681001	SPRING PIN	2
6	513048001	HOUSING COVER.....	1	33	300674005	BACKING PAD.....	1	60	671873001	CAM	1
7	660004016	SCREW (M3 x 8 mm)	2	34	660414019	SCREW (M4 x 6 mm TORX)	2	61	640901001	CAM SHAFT	1
8	280013066	CIRCUIT BOARD ASSEMBLY	1	35	670643003	WAVY WASHER	1	62	631499001	CAM COVER	1
9	301416001	ARMATURE	1	36	660424002	SCREW (M4 x 12 mm TORX FLAT HD.)..	2	63	660423003	SCREW (M3.5 x 8 mm TORX FLAT HD.)..	2
10	660568004	SCREW (M3.5 x 6 mm).....	2	37	301289001	MAIN HOUSING SUPPORT ASSEMBLY	1	64	660380008	SCREW (M3 x 10 mm).....	1
11	513047001	HOUSING SUPPORT	1	38	640903001	IDLE ARM SUPPORT	1	65	640931001	IDLE ROLLER GUARD	1
12	513101001	BRUSH HOLDER.....	2	39	301232003	RELEASE LEVER ASSEMBLY	1	66	671684001	COIL SPRING.....	1
13	290069066	BRUSH ASSEMBLY	2	40	300651003	IDLE ROLLER SHAFT ASSEMBLY	1	67	640900001	IDLE ARM.....	1
14	512010001	BRUSH CAP.....	2	41	901096001	FELT SEAL	1	68	680771002	WASHER	1
15	301292001	OUTPUT SHAFT ASSEMBLY	1	42	680680002	WASHER	1	69	940301036	DATA LABEL.....	1
16	671685001	COIL SPRING.....	1	43	301291001	DRIVE ROLLER ASSEMBLY.....	1	70	660828001	SCREW PIN (M4 x 11.2 mm).....	1
17	611140001	DRIVE PULLEY.....	1	44	640907001	MAIN HOUSING COVER.....	1	71	570613001	RUBBER CUSHION/CE	1
18	671033002	HEX NUT (M6)	1	45	6620805	SCREW (M4 x 16 mm).....	2	72	570614001	RUBBER CUSHION/FE.....	1
19	660385017	SCREW (M5 x 48 mm TORX).....	4	46	5950101	CORD CLAMP.....	1	73	570615001	RUBBER CUSHION/OUTER	1
20	513052001	BELT COVER.....	1	47	671902001	WASHER	1	74	570616001	RUBBER CUSHION/INNER	1
21	513054002	TRACKING KNOB	1	48	290086138	POWER CORD ASSEMBLY	1	75	901054002	TOOL BAG (R27201)	1
22	660024044	SCREW (M4 x 16 mm TORX).....	2	49	560801001	BEND RELIEF	1	76	671805001	TRACKING KNOB WASHER.....	1
23	660422008	SCREW (M4 x 43 mm TORX).....	1	50	900718003	SANDING BELT	1	77	672166001	E RING.....	1
24	671748001	3 mm HEX KEY	1	51	301417001	SWITCH ASSEMBLY.....	1	78	681022001	SPRING WASHER	2
25	660024009	SCREW (M4 x 20 mm TORX).....	4	52	940114120	LOGO LABEL	1		983000639	OPERATOR'S MANUAL	1
26	300978004	REAR HANDLE ASSEMBLY	1	53	660208094	SCREW (M4 x 8 mm).....	1		3-5-12		
27	660385016	SCREW (M5 x 15 mm TORX).....	1	54	343056001	SPEED CONTROL DIAL.....	1		(REV: 08)		