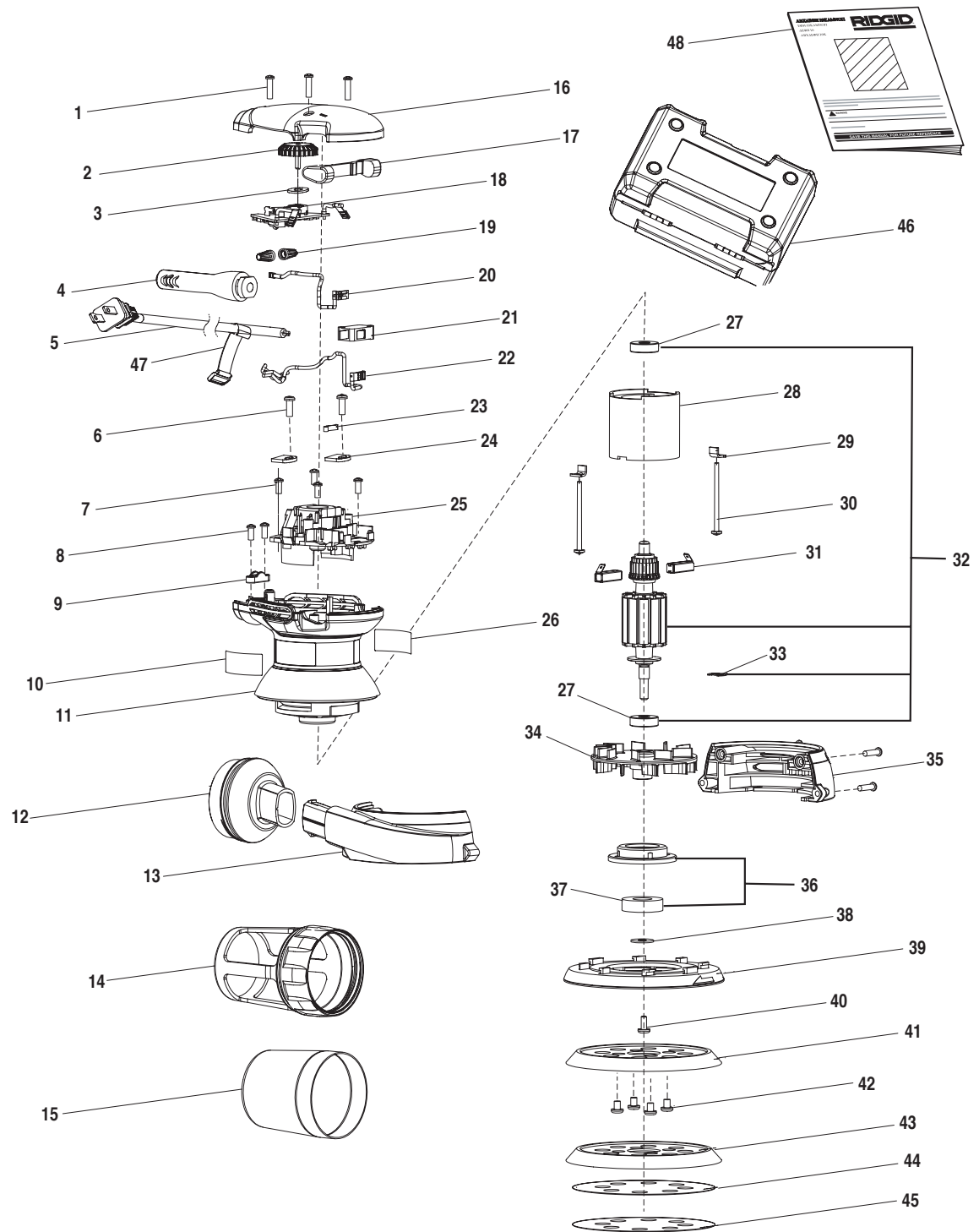




R2600

KEY	P/N	QTY	KEY	P/N	QTY
1	660370001	7	27	680141004	2
2	380568002	1	28	740379001	1
3	550746001	1	29	630659001	2
4	560963001	1	30	660368002	2
5	730387001	1	31	290069022	2
6	660371001	2	32	200216003	1
7	660372002	4	33	680789001	1
8	660372001	2	34	640052001	1
9	590924001	1	35	590919001	1
10	940304012	1	36	300546005	1
11	590916001	1	37	680071004	1
12	590922001	1	38	671039001	1
13	590918001	1	39	590936001	1
14	590923001	1	40	660369001	1
15	900793001	1	41	300527002	1
16	590920001	1	42	660011003	4
17	590921001	1	43	300527003	1
18	280010035	1	44	900483007	1
19	870126001	2	45	900483001	1
20	290061015	1	46	300912016	1
21	760227001	1	47	300904001	1
22	290065020	1	48	983000-274	1
23	630674001	1		7-03	
24	630801001	2			
25	590917001	1			
26	940057047	1			



▲ **WARNING:** The assembly shown represents an important part of the Double Insulated System. To avoid the possibility of alteration or damage to the System, service should be performed by your nearest authorized service center.

▲ **AVERTISSEMENT :** L'ensemble illustré représente une partie importante du système à isolation double. Afin d'éviter la possibilité de modification ou de dommage au système, la réparation ne doit être effectuée que par votre centre de réparation centre commercial autorisé.

▲ **ADVERTENCIA:** El conjunto que se ilustra representa una parte importante del Sistema de Aislamiento Doble. Para evitar la posibilidad de alteración o daño del sistema, la reparación debe ser efectuada en su centro de servicio autorizado.

REPLACEMENT PARTS PRICING SHEET**RIDGID****MODEL:** R2600**Description of Tool:** 5" Random Orbit Sander

KEY	PART#	DESCRIPTION	LIST PRICE
1	660370001	SCREW, #8-18X5/8"	
2	380568002	DIAL	
3	5574601	NYLON WASHER	
4	560963001	BEND RELIEF	
5	730387001	POWER CORD	
6	660371001	SCREW #8-16X1/2"	
7	660372002	SCREW #6-19X1/2"	
8	660372001	SCREW #6-19X5/8"	
9	590924001	CORD CLAMP	
10	940304012	LOGO LABEL	
11	200202053	HOUSING ASSY	
12	590922001	BAG ADAPTOR	
13	590918001	DUST SHROUD SUPPORT	
14	590923001	BAG FRAME	
15	900793001	DUST BAG	
16	590920001	TOP CAP	
17	590921001	ACTUATOR	
18	280010035	PCB ASSEMBLY	
19	870126001	WIRE NUT	
20	290061015	RECEPTACLE & WIRE BROWN	
21	7622701	SWITCH	
22	290188004	RECEPT. & WIRE BLACK ASSEM.	
23	630674001	ACTUATOR SPRING	
24	630801001	CLAMP-BRUSH TUBE	
25	590917001	BRACKET	
26	940057047	DATA LABEL	
27	680141004	BALL BEARING	
28	740379001	FIELD	
29	630659001	FIELD RETAINING CLIP	
30	660368002	SCREW #8-10X2-1/8"	
31	290069022	CARBON BRUSH ASSEMBLY	
32	200216003	ARMATURE ASSY	
33	680789001	RETAINING RING	
34	6405201	FAN	
35	590919001	DUST SHROUD	

