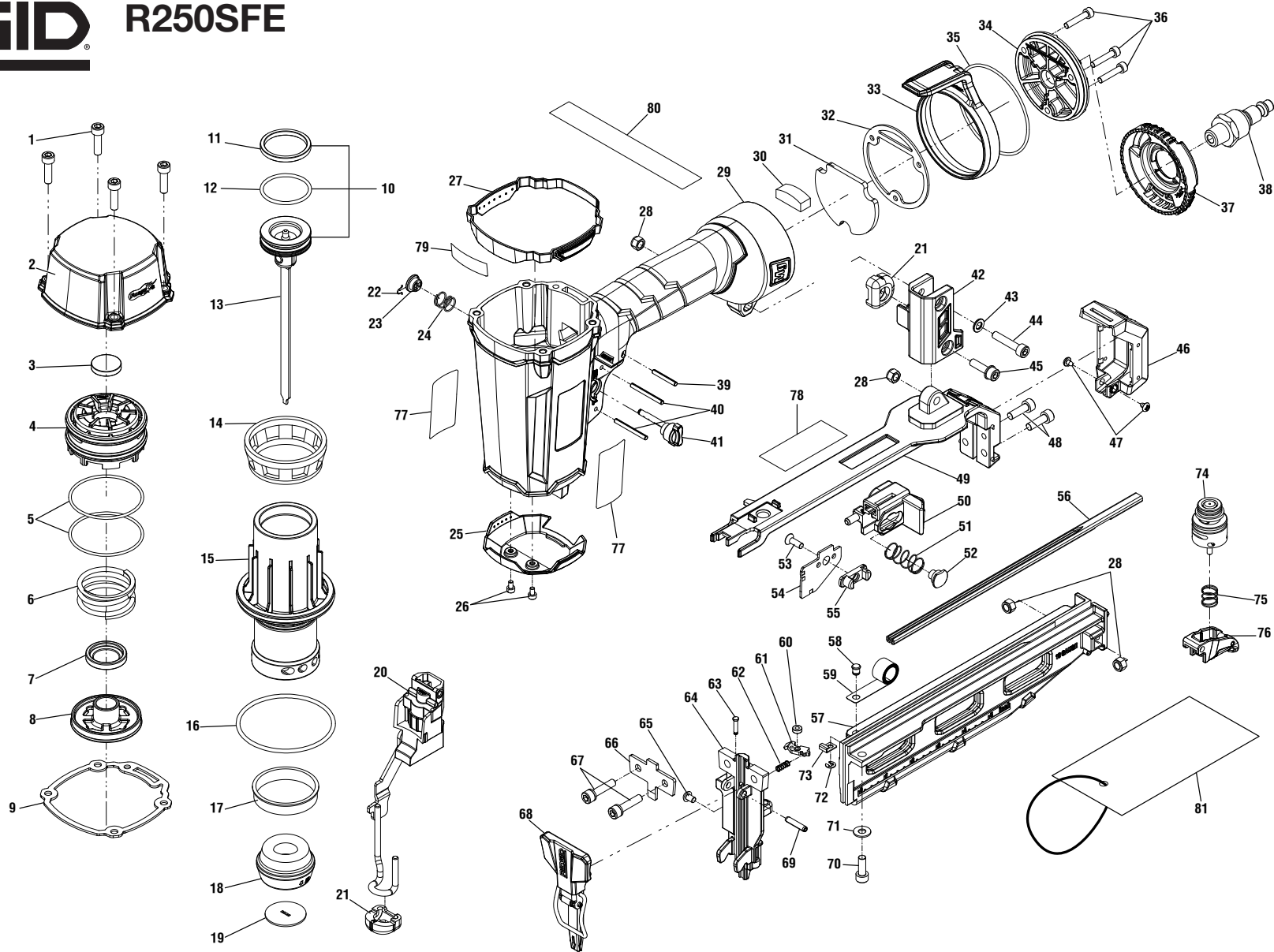


RIDGID® R250SFE



⚠ DANGER: Do not use oxygen, combustible gases, or bottled gases as a power source for this tool. The tool will explode and cause death or serious injury.

⚠ DANGER : Ne pas utiliser de l'oxygène ou des gaz combustibles ou en bouteille pour alimenter l'outil. L'outil exploserait, causant des blessures graves ou mortelles.

⚠ PELIGRO: No utilice oxígeno, gases combustibles ni gases embotellados como fuente de energía para esta herramienta. La herramienta explotará y causará la muerte o lesiones serias.

⚠ WARNING: Disconnect the tool from the air supply before performing maintenance. Failure to do so could result in serious personal injury.

⚠ AVERTISSEMENT : Débrancher l'outil de la source d'air avant tout entretien. Ne pas prendre cette précaution peut entraîner des blessures graves.

⚠ ADVERTENCIA: Desconecte la herramienta del suministro de aire antes de efectuar tareas de mantenimiento. La inobservancia de esta advertencia puede causar lesiones serias.



R250SFE Straight Finish Nailer

KEY	P/N	DESCRIPTION	QTY	KEY	P/N	DESCRIPTION	QTY	KEY	P/N	DESCRIPTION	QTY
1	079072001001	Screw (M5 x 0.8 mm, Hex Soc. Hd.).....	4	33	079072001025	Belt Hook.....	1	65	079072001052	Screw (M4 x 6 mm, Pan Hd.)	1
2	079072001002	Top Cap	1	34	079072001026	End Cap	1	66	079072001049	Driver Guide Cover B	1
3	079072001003	Seal	1	35	079072001027	O-Ring (60.4 x 1.8)	1	67	079072001048	Screw (M5 x 22 mm, Soc. Hd.)	2
4	079072001004	Head Valve	1	36	079072001028	Screw (M4 x 20 mm, Hex Soc. Hd.).....	3	68	079072001704	Latch and Jam-Clearing Mechanism Assembly	1
5	079072001005	O-Ring (49.5 x 2)	2	37	079072001029	Deflector.....	1	69	079072001062	Spring Pin.....	1
6	079072001006	Spring.....	1	38	079001001046	Air Plug (NPT 3/8 in.-18).....	1	70	079072001061	Screw (M5 x 14 mm, Soc. Hd.)	1
7	079072001007	Oil Seal	1	39	079071001032	Spring Pin (3 x 22).....	1	71	079072001060	Washer (OD10 x ID5.3 x 1.2t).....	1
8	079072001705	Lower Head Valve Assembly.....	1	40	079004001038	Spring Pin (3 x 30).....	2	72	079074001052	E-Ring.....	1
9	079072001011	Gasket.....	1	41	079071001033	Actuation Mode Selector.....	1	73	079072001064	Bracket.....	1
10	079072001701	Driver Assembly (Inc. Key Nos. 11-13).....	1	42	079072001037	Magazine Bracket	1	74	079071001706	Trigger Valve Assembly	1
11	079072001012	Piston Ring	1	43	079072001038	Washer (OD10 x ID5.3 x 1t).....	1	75	079071001037	Spring.....	1
12	079072001013	O-Ring (28 x 2)	1	44	079072001039	Screw (M5 x 25 mm, Soc. Hd.)	1	76	079071001038	Trigger	1
13	079072001014	Driver Unit	1	45	079072001040	Screw (M5 x 18 mm, Soc. Hd.)	1	77	079003003901	Logo Label	2
14	079072001015	Collar	1	46	079072001041	Magazine End Cap.....	1	78	079003003902	Data and Warning Label.....	1
15	079072001016	Cylinder	1	47	079072001042	Screw (M3 x 6 mm)	2	79	079003003905	"Fasten Edge" Label	1
16	079072001017	O-Ring (61.2 x 2.62)	1	48	079071001076	Screw (M5 x 16 mm, Soc. Hd.)	2	80	079005004908	Trigger Wrap Label.....	1
17	079003001020	Cylinder Ring.....	1	49	079072001044	Magazine B (Inc. Key No. 78).....	1	81	079003003904	Data and Warning Hangtag (French and Spanish)	1
18	079072001018	Bumper.....	1	50	079072001045	Pusher Cover.....	1				
19	079003001123	Driver Guide	1	51	079072001046	Spring.....	1				
20	079072001703	Workpiece Contact Assembly.....	1	52	079072001047	Pusher Latch	1		079072001701	NOT SHOWN: Overhaul Kit (Inc. Key Nos. 5, 7-9, 11-12, 16-18, 22 and 74)	1
21	079072001036	No-Mar Pad.....	2	53	079003001072	Screw (M4 x 12 mm)	1				
22	079071001036	U-Clip.....	1	54	079072001043	Pusher	1				
23	079071001035	Mode Selector Button	1	55	079027003021	Anchor Block.....	1		079072001702	Driver Maintenance Kit – (Inc. Key Nos. 9-10 and 18).....	1
24	079071001034	Spring.....	1	56	079072001063	Wear Rail	1				
25	079072001020	Protection Ring (Lower).....	1	57	079072001059	Magazine A.....	1		079071001703	Wrench Kit (Inc. 3 mm and 4 mm Hex Keys).....	1
26	079071001049	Screw (M3 x 4 mm, Soc. Hd.)	2	58	079072001058	Pin (4.8 x 7.3 mm)	1		079071001087	Tool Bag	1
27	079072001019	Protection Ring (Upper).....	1	59	079003001067	Pusher Spring.....	1		079001001088	Glasses.....	1
28	079004001082	Lock Nut (M5).....	4	60	079072001057	Pin Retainer.....	1		983000623	Fastener Guide.....	1
29	079072001021	Tool Body Unit.....	1	61	079072001056	Dry-Fire Lockout.....	1		988000636	Operator's Manual.....	1
30	079072001022	Muffler	1	62	079072001055	Spring.....	1		8-23-13 (Rev:01)		
31	079072001023	Filter.....	1	63	079072001054	Pin (2.65 x 13.4 mm)	1				
32	079072001024	Gasket.....	1	64	079072001053	Driver Guide	1				