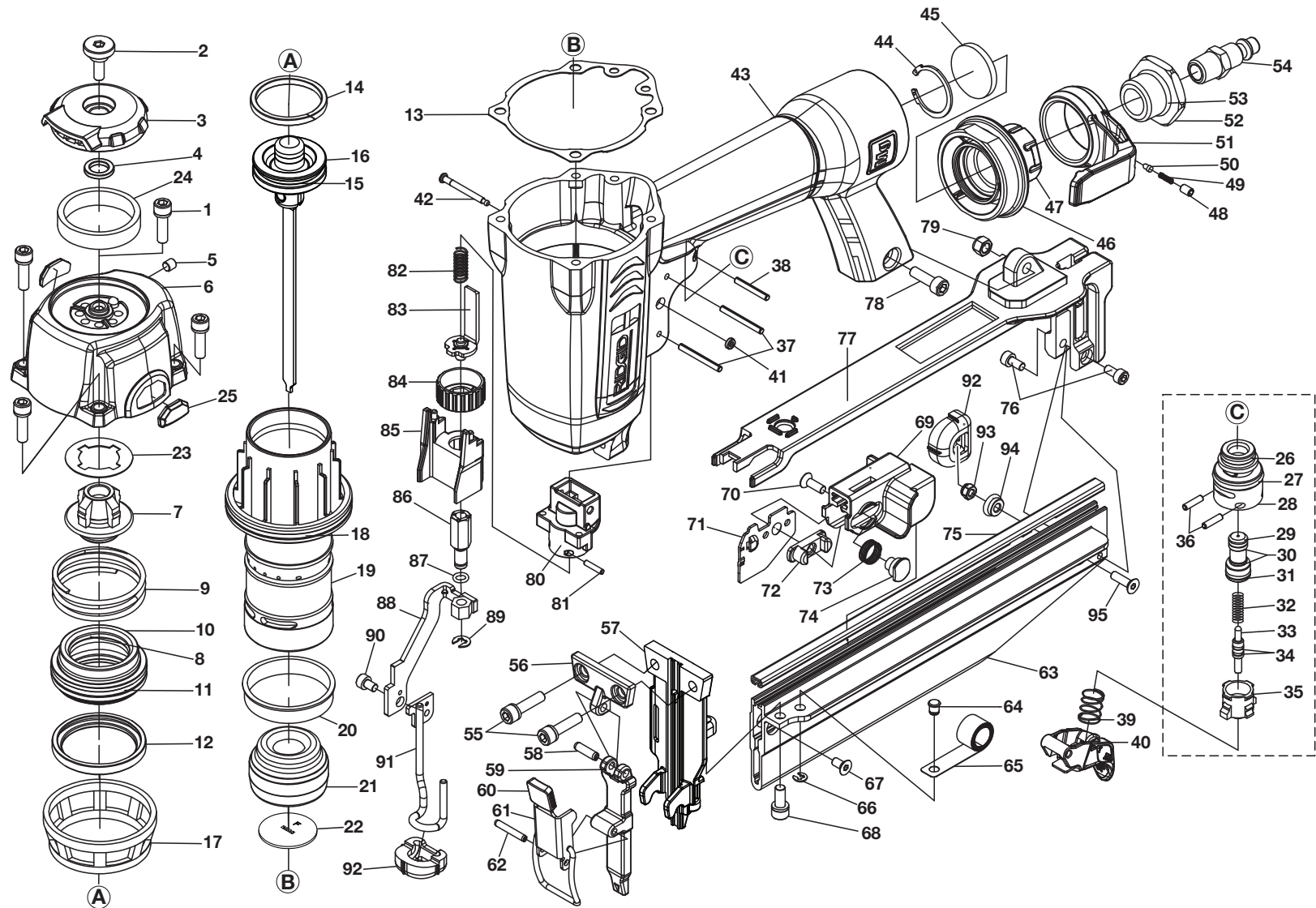


RIDGID® R250SFA



⚠ DANGER: Do not use oxygen, combustible gases, or bottled gases as a power source for this tool. The tool will explode and cause death or serious injury.

⚠ DANGER : Ne pas utiliser de l'oxygène ou des gaz combustibles ou en bouteille pour alimenter l'outil. L'outil exploserait, causant des blessures graves ou mortelles.

⚠ PELIGRO: No utilice oxígeno, gases combustibles ni gases embotellados como fuente de energía para esta herramienta. La herramienta explotará y causará la muerte o lesiones serias.

⚠ WARNING: Disconnect the tool from the air supply before performing maintenance. Failure to do so could result in serious personal injury.

⚠ AVERTISSEMENT : Débrancher l'outil de la source d'air avant tout entretien. Ne pas prendre cette précaution peut entraîner des blessures graves.

⚠ ADVERTENCIA: Desconecte la herramienta del suministro de aire antes de efectuar tareas de mantenimiento. La inobservancia de esta advertencia puede causar lesiones serias.



R250SFA Straight Finish Nailer

KEY	P/N	DESCRIPTION	QTY	KEY	P/N	DESCRIPTION	QTY	KEY	P/N	DESCRIPTION	QTY
1	079001001001	BOLT ASSY (M5 x 0.8-20 + Dp5).....	4	48	079001001041	SCREW (HEX SOC. HD.)		87	079003001089	O-RING (4.5 x 1.5) (S5)	1
2	079003001002	DEFLECTOR BOLT (3M2353)	1			(M4 x 0.7-06).....	1	88	079003001090	WORK CONTACT ELEMENT	
3	079003001003	DEFLECTOR	1	49	079001001040	POSITIONING SPRING.....	1			UNIT	1
4	079003001004	RUBBER PAD	1	50	079001001039	POSITIONING SHAFT.....	1	89	079003001091	E-RING (ETW4)	1
5	079002001008	SCREW (HEX SOC. HD.)		51	079003001050	SPRING RETAINER.....	1	90	079003001092	BOLT (HEX SOC. HD.)	
		(M5 x 0.8-05).....	1	52	079003001051	LATCH SPRING BUSHING				(M4 x 0.7-06) (3M2353).....	1
6	079003001006	CAP	1			(NPT 1/4 in.).....	1	91	079003001093	CONTACT MECHANISM A	1
7	079003001007	SEAL	1	53	079002001056	O-RING (19.18 x 2.46)	1	92	079003001105	NO MAR PAD.....	2
8	079003001008	O-RING (29.5 x 2) (S30)	1	54	079001001046	AIR PLUG (NPT 1/4 in.-18)	1	93	079001001064	LOCK NUT (M4 x 0.7)	1
9	079003001009	COMPRESSION SPRING	1	55	079003001054	BOLT ASSY (M5 x 0.8-20+Dp5)		94	079003001095	FIXED SUPPORT	1
10	079003001010	HD.VALVE PISTON	1			(3M2353).....	2	95	079003001096	SCREW (COUNTER SUNK)	
11	079003001011	O-RING (43 x 2.4)	1	56	079003001055	DRIVER GUIDE COVER B.....	1			(M4 x 0.7-14).....	1
12	079003001012	COLLAR	1	57	079003001124	DRIVER GUIDE	1	96	079003001097	OVERHAUL KIT – NOT SHOWN	
13	079003001013	CYLINDER CAP SEAL	1	58	079003001060	SPIRAL PINS (Dp4-12)	1			(INCL. KEY NO. 7, 8, 11-14, 18,	
14	079003001014	PISTON RING	1	59	079003001061	DRIVER GUIDE COVER A.....	1			20, 21, 26-36, 41, PLUS	
15	079003001015	O-RING (31 x 2) (2031).....	1	60	079003001062	PUSHER CUSHION	1			LUBRICANT)	1
16	079003001122	DRIVER UNIT	1	61	079003001063	LOCK HANDLE UNIT.....	1	97	079003001700	DRIVER MAINTENANCE KIT –	
17	079003001017	CYLINDER PRESS RING.....	1	62	079003001064	SPIRAL PINS (Dp3-20)	1			NOT SHOWN (INCL. KEY NO.	
18	079003001018	O-RING (58 x 2.5)	1	63	079003001065	MAGAZINE A	1			13-16 AND 21, PLUS	
19	079003001019	CYLINDER	1	64	079003001066	BRACKET	1			LUBRICANT)	1
20	079003001020	CYLINDER RING.....	1	65	079003001067	SPRING.....	1	98	079003001701	DRIVER ASSEMBLY – NOT	
21	079003001021	BUMPER.....	1	66	079003001068	E-RING (ETW3)	1			SHOWN (INCL. KEY NO. 14-16	
22	079003001123	DRIVER GUIDE	1	67	079003001069	SCREW (COUNTER SUNK)				PLUS LUBRICANT).....	1
23	079003001023	SEAL GASKET	1			(M4 x 0.7-08) (3M2353).....	1	99	079003001112	TRIGGER ASSEMBLY – NOT	
24	079003001024	MUFFLER	1	68	079003001070	BOLT ASSY				SHOWN (INCL. KEY NO. 26-36).....	1
25	079003001106	GUIDE COVER.....	2			(M5 x 0.8-12 + Dp5) (3M2353).....	1	100	079003001102	OIL AND WRENCH KIT – NOT	
26	079002001029	O-RING (12.42 x 1.78) (AS014).....	1	69	079003001071	HOOD COVER	1			SHOWN (INCL. OIL AND 2.5 mm,	
27	079002001030	O-RING (18.72 x 2.62)	1	70	079003001072	TAP BOLT (M4 x 0.7-12)	1			3 mm, AND 4 mm HEX KEYS.....	1
28	079002001031	PLUNGER CAP	1	71	079003001073	PUSHER	1	101	079003001101	CASE – NOT SHOWN.....	1
29	079002001034	VALVE PLUNGER.....	1	72	079003001074	ANCHOR BLOCK	1	102	079001001088	GLASSES – NOT SHOWN.....	1
30	079002001033	O-RING (5.8 x 1.9) (P6)	2	73	079003001075	PUSHER SPRING	1	103	079001001096	WARNING LABEL – NOT	
31	079002001032	O-RING (8.8 x 1.9) (P9)	1	74	079003001076	DOOR LATCH	1			SHOWN	1
32	079002001035	SPRING.....	1	75	079003001077	STEEL CHANNEL	1	104	079003001111	DATA LABEL – NOT SHOWN.....	1
33	079002001037	PLUNGER	1	76	079002001073	BOLT (HEX SOC. HD.)		105	079003001107	LOGO LABEL – NOT SHOWN.....	2
34	079001001024	O-RING (2.5 x 1.5) (S3).....	2			(M4 x 0.7-08).....	2	106	079003001108	MODEL LABEL (TOOL CASE).....	1
35	079002001038	TRIGGER VALVE HEAD	1	77	079003001079	MAGAZINE B	1	107	983000612	OPERATOR'S MANUAL –	
36	079002001039	SPRING PIN (Dp3-12).....	2	78	079003001080	BOLT (HEX SOC. HD.)				NOT SHOWN.....	1
37	079002001040	SPRING PIN (Dp3-30).....	2			(M5 x 0.8-16).....	1	108	983000612R	REPAIR SHEET –	
38	079003001037	SPRING PIN (Dp3-22).....	1	79	079003001081	LOCK NUT (M5 x 0.8)	1			NOT SHOWN.....	1
39	079002001046	SPRING.....	1	80	079003001082	WORK CONTACT ELEMENT		109	983000623	FASTENER GUIDE –	
40	079002001043	TRIGGER UNIT	1			GUIDE.....	1			NOT SHOWN.....	1
41	079001001029	RETAINER	1	81	079003001083	SPRING PIN (Dp2.5-10).....	1	110	079001001102	TRIGGER WRAP LABEL–	
42	079002001045	TRIGGER PIVOT PIN	1	82	079003001084	WORK CONTACT ELEMENT				NOT SHOWN.....	1
43	079003001042	TOOL BODY UNIT	1			SPRING.....	1	111	079003001120	HANG TAG – NOT SHOWN.....	1
44	079003001110	SNAP RING (IRTW28)	1	83	079003001085	CONTACT MECHANISM B UNIT.....	1				
45	079003001044	FILTER.....	1	84	079003001086	ADJUST KNOB	1				
46	079003001045	O-RING (43 x 2.8)	1	85	079003001087	WORK CONTACT ELEMENT					
47	079003001046	END CAP	1	86	079003001088	COVER.....	1				
						ADJUST ROD UNIT	1				

1-8-07
(REV: 04)