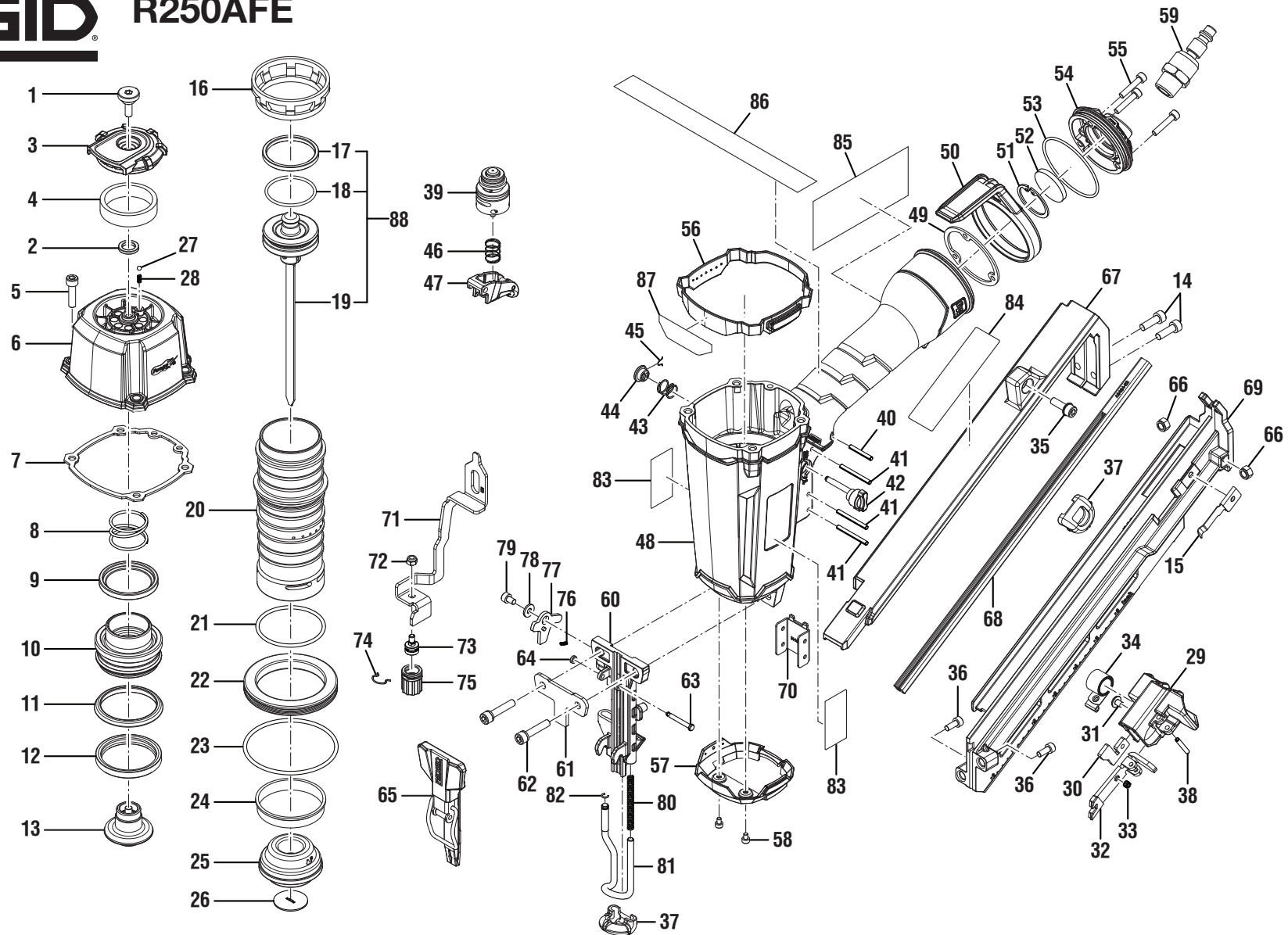


# RIDGID® R250AFE



**⚠ DANGER:** Do not use oxygen, combustible gases, or bottled gases as a power source for this tool. The tool will explode and cause death or serious injury.

**⚠ DANGER :** Ne pas utiliser de l'oxygène ou des gaz combustibles ou en bouteille pour alimenter l'outil. L'outil exploserait, causant des blessures graves ou mortelles.

**⚠ PELIGRO:** No utilice oxígeno, gases combustibles ni gases embotellados como fuente de energía para esta herramienta. La herramienta explotará y causará la muerte o lesiones serias.

**⚠ WARNING:** Disconnect the tool from the air supply before performing maintenance. Failure to do so could result in serious personal injury.

**⚠ AVERTISSEMENT :** Débrancher l'outil de la source d'air avant tout entretien. Ne pas prendre cette précaution peut entraîner des blessures graves.

**⚠ ADVERTENCIA:** Desconecte la herramienta del suministro de aire antes de efectuar tareas de mantenimiento. La inobservancia de esta advertencia puede causar lesiones serias.



# R250AFE Angled Finish Nailer

KEY	P/N	DESCRIPTION	QTY	KEY	P/N	DESCRIPTION	QTY	KEY	P/N	DESCRIPTION	QTY
1	079004001001	Screw (M5 x 0.8 mm, Soc. Hd.) ....	1	36	079071001085	Screw (M4 x 10 mm, Soc. Hd.) .....	2	69	079071001075	Magazine A .....	1
2	079004001002	Rubber Pad .....	1	37	079071001086	No-Mar Pad .....	2	70	079071001060	Safety Guide .....	1
3	079071001001	Deflector .....	1	38	079004001037	Spring Pin .....	1	71	079071001061	Workpiece Contact (Upper) .....	1
4	079071001002	Muffler .....	1	39	079071001706	Trigger Valve Assembly (Inc. Key No. 45) .....	1	72	079071001062	Lock Nut (M4) .....	1
5	079071001003	Bolt (M5 x 20 mm, Soc. Hd.) .....	4	40	079071001032	Spring Pin .....	1	73	079071001063	Depth Adjustment Rod .....	1
6	079071001004	Cap .....	1	41	079004001038	Spring Pin .....	3	74	079071001064	C-Ring .....	1
7	079071001005	Seal .....	1	42	079071001033	Mode Selector Switch .....	1	75	079071001065	Depth Adjustment Knob .....	1
8	079071001006	Compression Spring .....	1	43	079071001034	Spring .....	1	76	079071001066	Spring .....	1
9	079071001007	Oil Seal .....	1	44	079071001035	Mode Selector Button .....	1	77	079071001067	Dry Fire Lockout .....	1
10	079071001008	Head Valve Piston .....	1	45	079071001036	U-Clip .....	1	78	079071001068	Washer (OD10 x ID4.2 x t1.2) .....	1
11	079071001009	Seal .....	1	46	079071001037	Spring .....	1	79	079071001069	Screw (M4 x 6 mm, Soc. Hd.) .....	1
12	079004001012	Collar .....	1	47	079071001038	Trigger .....	1	80	079071001070	Spring .....	1
13	079071001707	Lower Head Valve Assembly .....	1	48	079071001039	Tool Body Unit .....	1	81	079071001071	Workpiece Contact (Lower) .....	1
14	079071001076	Screw (M5 x 16 mm, Soc. Hd.) .....	2	49	079071001040	Gasket .....	1	82	079071001072	C-Ring .....	1
15	079071001077	Nail Plate (Stop) .....	1	50	079071001041	Belt Hook .....	1	83	079003003901	Logo Label .....	2
16	079004001014	Collar .....	1	51	079071001042	C-Ring .....	1	84	079003004903	Warning and Data Label (Eng) .....	1
17	079004001016	Piston Ring .....	1	52	079071001043	Filter .....	1	85	079003004904	Warning and Data Label (Fr/Sp) .....	1
18	079004001015	O-Ring (33.5 x 2) .....	1	53	079071001044	O-Ring (50.52 x 1.78) .....	1	86	079005004908	Trigger Wrap Label .....	1
19	079004001017	Driver Unit .....	1	54	079071001045	End Cap .....	1	87	079003004905	"Fasten Edge" Label .....	1
20	079004001019	Cylinder .....	1	55	079071001046	Screw (M4 x 20 mm, Soc. Hd.) .....	3	88	079071001705	Driver Assembly .....	1
21	079071001013	O-Ring (44.7 x 2.4) .....	1	56	079071001047	Protection Ring (Upper) .....	1	<b>Not Shown:</b>			
22	079071001014	Cylinder Spacer .....	1	57	079071001048	Protection Ring (Lower) .....	1	079001001088	Safety Glasses .....	1	
23	079071001015	O-Ring (60 x 2.62) .....	1	58	079071001049	Screw (M3 x 4 mm, Soc. Hd.) .....	2	079071001087	Tool Bag .....	1	
24	079071001016	Cylinder Ring .....	1	59	079004001048	Air Plug (NPT 3/8 in.-18) .....	1	079071001701	Overhaul Maintenance Kit (Inc. Key Nos. 7, 9, 11-13, 17-18, 21, 23-25, 39 and 45) .....	1	
25	079071001017	Bumper .....	1	60	079071001050	Driver Guide .....	1	079071001702	Driver Maintenance Kit (Inc. Key Nos. 7, 17-19 and 25) .....	1	
26	079071001018	Driver Guide .....	1	61	079071001051	Driver Guide Cover B .....	1	079071001703	Wrench Kit (Inc. 3 mm and 4 mm Hex Key) .....	1	
27	079071001019	Adjustment Ball .....	1	62	079071001052	Screw (M5 x 25 mm, Soc. Hd.) .....	2	988000404	Operator's Manual .....	1	
28	079071001020	Spring .....	1	63	079071001053	Fixed Pin .....	1	6-3-13			
29	079071001078	Pusher Cover .....	1	64	079071001054	Retainer .....	1	(Rev:02)			
30	079071001079	Anchor Block .....	1	65	079071001708	Latch and Jam Clearing Mechanism Assembly .....	1				
31	079071001080	Screw (M4 x 5 mm, Phillips Hd.) ...	1	66	079004001082	Lock Nut (M5) .....	2				
32	079071001081	Pusher .....	1	67	079071001073	Magazine B (Inc. Key 84) .....	1				
33	079071001082	Spring .....	1	68	079071001074	Steel Channel .....	1				
34	079071001083	Pusher Spring .....	1								
35	079071001084	Screw (M5 x 16 mm, Soc. Hd.) .....	1								