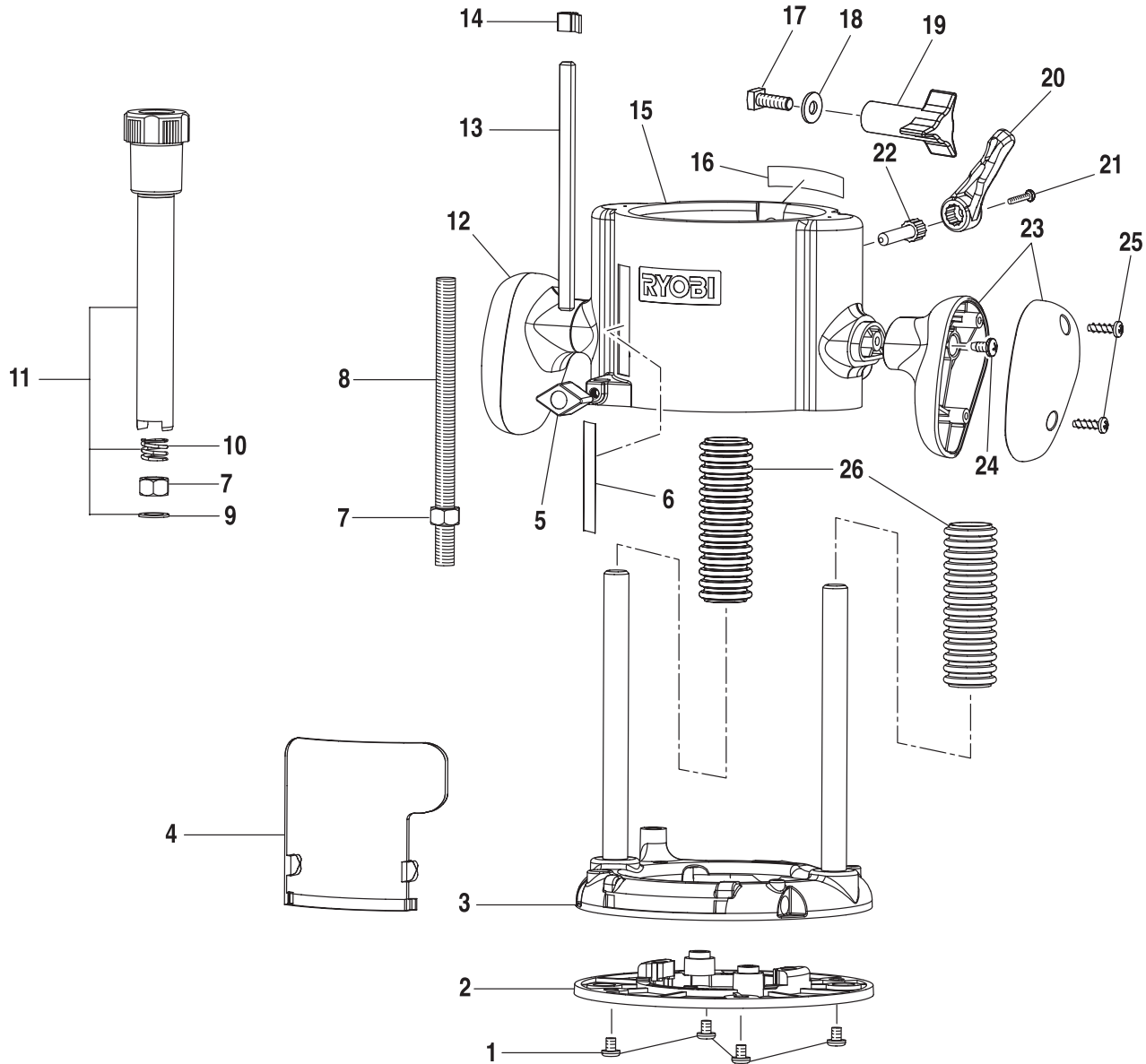


RYOBI ROUTER PLUNGE FRAME – MODEL NUMBER R181PB1



WARNING: Improper repair of a double insulated tool can result in damages to the double insulation system possibly causing electrical shock or electrocution. Any repairs requiring disassembly of your tool requires safety testing and should only be performed by a Ryobi Authorized Service Center. For the service center nearest you call 1-800-525-2579.

RYOBI ROUTER PLUNGE FRAME – MODEL NUMBER R181PB1

The model number will be found on a plate attached to the base. Always mention the model number in all correspondence regarding your **ROUTER** or when ordering repair parts.

PARTS LIST

KEY NO.	PART NUMBER	DESCRIPTION	QTY.
1	660136001	* SCREW (10-32 X 1/4 in. PAN HD.)	4
2	200247001	SUBBASE W/INSERTS	1
3	200265001	BASE W/RODS	1
4	550848001	CHIP SHIELD	1
5	550854001	STOP BAR KNOB	1
6	940299510	SCALE LABEL	1
7	660163002	* HEX NUT (3/8-16)	2
8	671275001	DEPTH ADJUSTMENT ROD	1
9	671269001	WASHER	1
10	671271001	COMPRESSION SPRING	1
11	200264001	DEPTH ADJUSTMENT KNOB (INCLUDES KEY NOS. 9 AND 10)	1
12	200235001	HANDLE ASSEMBLY	1
13	620168001	DEPTH STOP BAR	1
14	380855001	POINTER	1
15	200242003	PLUNGE FRAME W/BEARINGS	1
16	940347004	DATA / INFORMATION PLATE	1
17	660104009	* BOLT (1/4-20 X 3/8 in. SQ. HD.)	1
18	680771001	FLAT WASHER	1
19	512054001	LOCKING KNOB	1
20	550849001	PLUNGE LOCK LEVER	1
21	660284003	* SCREW (6-32 X 1/4 in. PAN HD.)	1
22	660009001	PLUNGE LOCK SCREW	1
23	200244001	RIGHT HANDLE SET	1
24	660062005	* SCREW (10-24 X 9/16 in. TORX PAN HD.)	2
25	660161001	* SCREW (8-10 X 5/8 in. PAN HD.)	4
26	300524002	PLUNGE SPRING ASSEMBLY	2

* Standard Hardware Item – May Be Purchased Locally