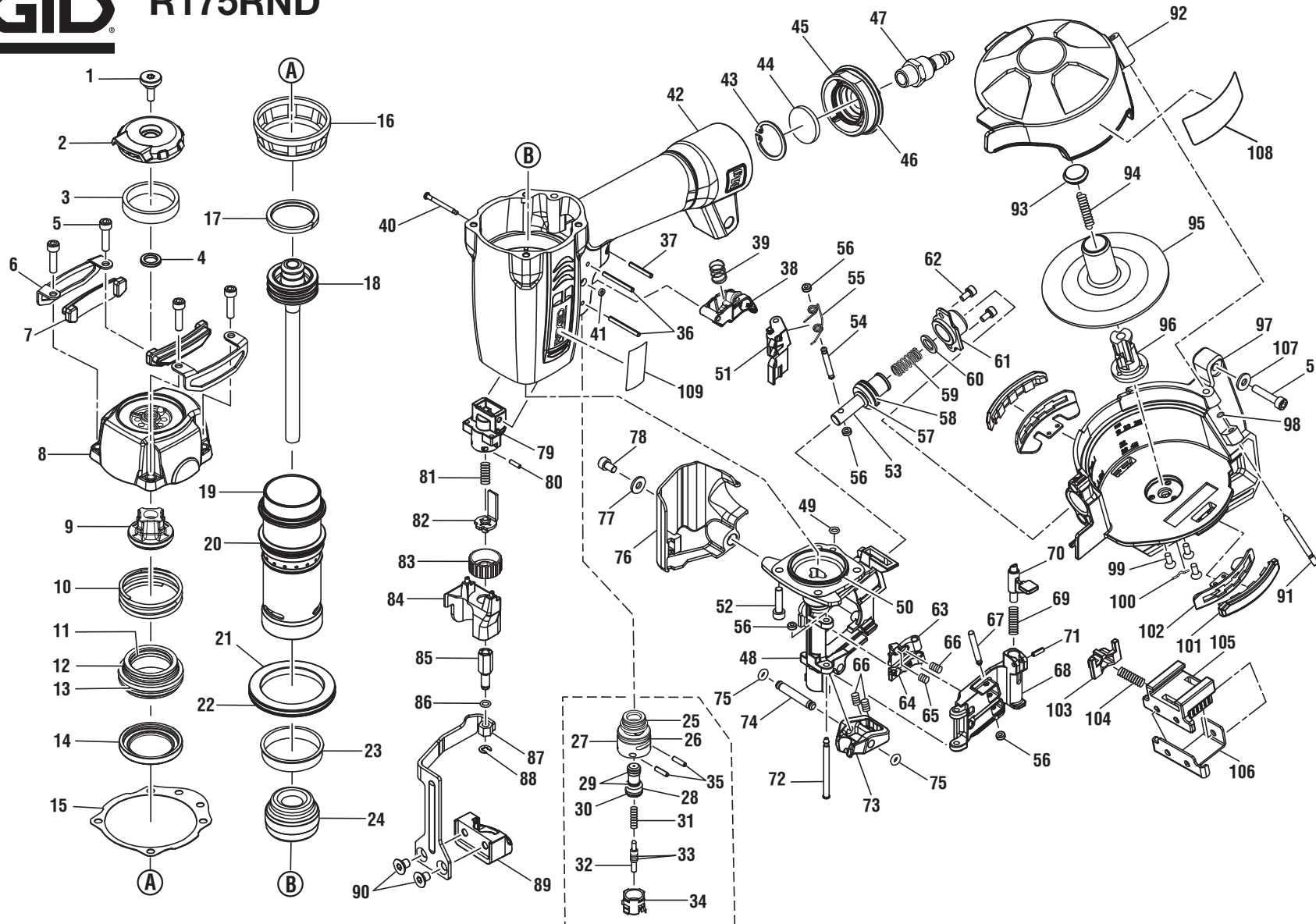


RIDGID R175RND



⚠ DANGER: Do not use oxygen, combustible gases, or bottled gases as a power source for this tool. The tool will explode and cause death or serious injury.

⚠ DANGER : Ne pas utiliser de l'oxygène ou des gaz combustibles ou en bouteille pour alimenter l'outil. L'outil exploserait, causant des blessures graves ou mortelles.

⚠ PELIGRO: No utilice oxígeno, gases combustibles ni gases embotellados como fuente de energía para esta herramienta. La herramienta explotará y causará la muerte o lesiones serias.

⚠ WARNING: Disconnect the tool from the air supply before performing maintenance. Failure to do so could result in serious personal injury.

⚠ AVERTISSEMENT : Débrancher l'outil de la source d'air avant tout entretien. Ne pas prendre cette précaution peut entraîner des blessures graves.

⚠ ADVERTENCIA: Desconecte la herramienta del suministro de aire antes de efectuar tareas de mantenimiento. La inobservancia de esta advertencia puede causar lesiones serias.

RIDGID® R175RND

KEY	P/N	DESCRIPTION	QTY	KEY	P/N	DESCRIPTION	QTY	KEY	P/N	DESCRIPTION	QTY
1	079003001002	DEFLECTOR BOLT (3M2353)	1	49	079006001129	O-RING (5.5 x 1.5) (S5)	1	90	079006001132	SCREW (COUNTER SUNK) (M6 x 1.0-12).....	2
2	079003001003	DEFLECTOR	1	50	079006001050	O-RING (37.5 x 1.8)	1	91	079006001092	PIN	1
3	079006002001	MUFFLER	1	51	079006001051	FEED FINGER	1	92	079006002015	MAGAZINE COVER WITH WARNING / DATA LABEL	1
4	079003001004	RUBBER PAD	1	52	079006001052	BOLT (HEX SOC. HD.) (M5 x 0.8-20) (3M2353).....	4	93	079006001094	SPRING BASE A.....	1
5	079001001043	BOLT (HEX SOC. HD.) (M5 x 0.8-25).5		53	079006001053	FEED PISTON	1	94	079006001095	PULL SPRING.....	1
6	079006001006	GUIDE COVER.....	2	54	079006001054	PIN FEED PISTON	1	95	079006001096	SPACER	1
7	079006001007	CUSHION.....	2	55	079006001055	FEED FINGER SPRING.....	1	96	079006001097	ADJUST POST	1
8	079006001008	CAP	1	56	079006001056	RETAINER	4	97	079006002008	MAGAZINE CASE	1
9	079006001009	SEAL	1	57	079006001057	O-RING (9 x 2)	1	98	079006001099	O-RING (3 x 1.5)	1
10	079003001009	COMPRESSION SPRING	1	58	079006001058	O-RING (18 x 2) (2018).....	1	99	079006001100	TAP BOLT (TBF M4 x 8-11Y)	3
11	079006001011	O-RING (29.5 x 2) (S30)	1	59	079006001059	FEED PISTON SPRING.....	1	100	079006001101	SPRING RETAINER.....	1
12	079006001012	HD.VALVE PISTON	1	60	079006002003	FEED-BUMPER	1	101	079006001102	MAGAZINE CUSHION	2
13	079003001011	O-RING (43 x 2.4)	1	61	079006002004	FEED PISTON CAP.....	1	102	079006001103	MAGAZINE GUIDE COVER	2
14	079006001014	COLLAR.....	1	62	079006001062	BOLT ASSY (M4 x 0.7-08 + Dp4).....	2	103	079006001104	POSITIONING SHEET.....	1
15	079006001015	CYLINDER CAP SEAL	1	63	079006001063	FIRST STOPPER FINGER.....	1	104	079006001105	WORK CONTACT ELEMENT SPRING.....	1
16	079003001017	CYLINDER PRESS RING	1	64	079006001064	SECOND STOPPER FINGER.....	1	105	079006002009	ADJUSTING PLATE-A.....	1
17	079006001017	PISTON RING	1	65	079006001065	SPRING.....	1	106	079006001107	ADJUSTING PLATE-B.....	1
18	079006001018	DRIVER UNIT	1	66	079006001066	STOPPER FINGER SPRING	3	107	079006002011	FLAT WASHER (D13 x d5.3 x t1.5) ...	1
19	079006001019	CYLINDER	1	67	079006001067	PIN-NAIL STOP	1	108	079006002900	WARNING AND DATA LABEL	1
20	079006001020	O-RING (36.5 x 1.3)	1	68	079006001068	DOOR.....	1	109	079003001107	LOGO LABEL.....	2
21	079006001021	CYLINDER SPACER	1	69	079006001069	LATCH SPRING	1	NOT SHOWN:			
22	079003001018	O-RING (58 x 2.5)	1	70	079006001070	DOOR LATCH	1	110	079006001110	OVERHAUL KIT - (INCL. KEY NO. 9, 11, 13-15, 17, 20, 22-35, AND 41, PLUS LUBRICANT).....	1
23	079003001020	CYLINDER RING.....	1	71	079006001071	SPRING PIN (Dp3-10).....	1	111	079006001111	DRIVER MAINTENANCE KIT - (INCL. KEY NO. 15, 17-18, 24, 66, 73-75, PLUS LUBRICANT).....	1
24	079003001021	BUMPER.....	1	72	079006001072	DOOR SHAFT PIN	1	112	079006001112	DRIVER ASSEMBLY - (INCL. KEY NO. 17-18 PLUS LUBRICANT).....	1
25	079002001029	O-RING (12.42 x 1.78) (AS014).....	1	73	079006001073	GUIDE BLOCK.....	1	113	079002001096	TRIGGER ASSEMBLY - (INCL. KEY NO. 25-35)	1
26	079002001030	O-RING (18.72 x 2.62)	1	74	079006001075	FIXED PIN	1	114	079006001115	OIL AND WRENCH KIT (INCL. OIL AND 4 mm HEX KEY).....	1
27	079002001031	PLUNGER CAP.....	1	75	079006001076	O-RING (3.63 x 2.62) (AS105).....	2	115	079006002012	CASE.....	1
28	079002001034	VALVE PLUNGER.....	1	76	079006002005	WORK CONTACT ELEMENT COVER.....	1	116	079002001099	EYE PROTECTION.....	1
29	079002001033	O-RING (5.8 x 1.9) (P6)	2	77	079006002006	FLAT WASHER (D10 x d5.3 x t1.2).....	1	117	079006002901	MODEL LABEL (TOOL CASE).....	1
30	079002001032	O-RING (8.8 x 1.9) (P9)	1	78	079006001079	BOLT (HEX SOC. HD.) (M5 x 0.8-08) (3M2353).....	1	118	987000028	OPERATOR'S MANUAL.....	1
31	079002001035	SPRING.....	1	79	079003001082	WORK CONTACT ELEMENT GUIDE.....	1	119	983000623	FASTENER GUIDE	1
32	079002001037	PLUNGER	1	80	079003001083	SPRING PIN (Dp2.5-10).....	1	120	079001001102	TRIGGER WRAP LABEL	1
33	079001001024	O-RING (2.5 x 1.5) (S3)	2	81	079003001084	WORK CONTACT ELEMENT SPRING.....	1	121	079006002013	HANG TAG	1
34	079002001038	TRIGGER VALVE HEAD	1	82	079003001085	CONTACT MECHANISM B UNIT.....	1	2-23-07 (REV:00)			
35	079002001039	SPRING PIN (Dp3-12).....	2	83	079003001086	ADJUST KNOB	1				
36	079004001038	SPRING PIN (Dp3-30).....	2	84	079006001085	WORK CONTACT ELEMENT COVER.....	1				
37	079003001037	SPRING PIN (Dp3-22).....	1	85	079006001086	ADJUST ROD UNIT	1				
38	079002001043	TRIGGER UNIT	1	86	079003001089	O-RING (4.5 x 1.5) (S5)	1				
39	079002001046	SPRING.....	1	87	079006001130	WORK CONTACT ELEMENT UNIT ...	1				
40	079002001045	TRIGGER PIVOT PIN	1	88	079003001091	E-RING (ETW4)	1				
41	079001001029	RETAINER	1	89	079006001131	CONTACT MECHANISM A	1				
42	079006001042	TOOL BODY UNIT	1								
43	079003001043	C-RING (RTW28).....	1								
44	079003001044	FILTER.....	1								
45	079006001045	END CAP	1								
46	079003001045	O-RING (43 x 2.8)	1								
47	079004001048	SWIVEL AIR PLUG (NPT 3/8 in.-18) .1									
48	079006002014	NOSE PIECE W/ MAGNET	1								