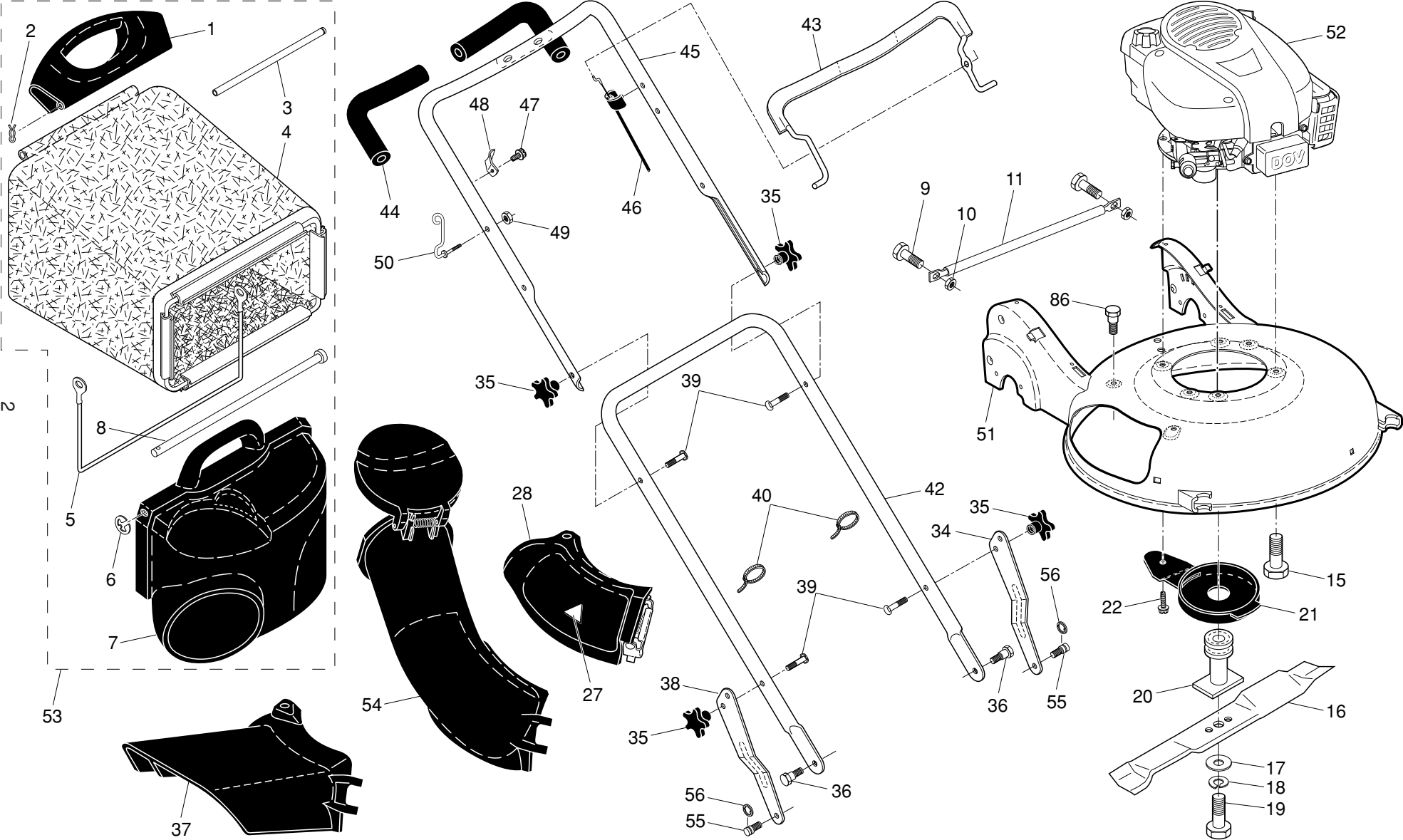


HUSQVARNA ROTARY LAWN MOWER - MODEL NO. R 152SVSW (96141006409) PRODUCT NO. 961 41 00-64

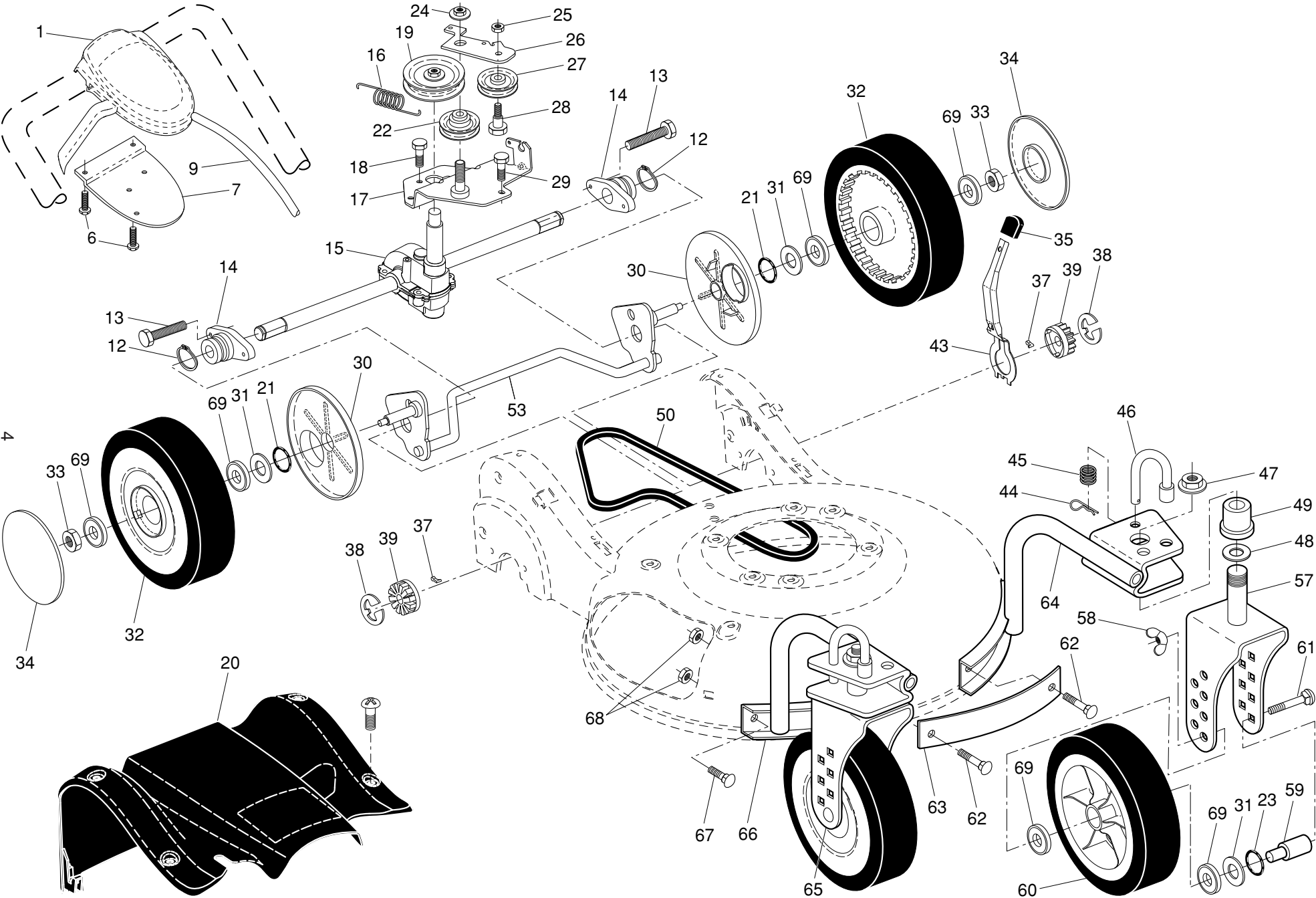


HUSQVARNA ROTARY LAWN MOWER - MODEL NO. R 152SVSW (96141006409) PRODUCT NO. 961 41 00-64

KEY NO.	PART NO.	DESCRIPTION	KEY NO.	PART NO.	DESCRIPTION
1	532 19 05-82	Handle, Grassbag, Rear	38	532 19 06-21	Adjustment Bracket, Lower Handle, RH
2	532 06 53-22	Hairpin Cotter	39	532 19 15-74	Bolt, Handle
3	532 18 34-83	Rod, Rear Handle, Grassbag	40	532 06 64-26	Wire Tie
4	532 40 18-98	Grassbag	42	532 18 70-96	Handle Assembly, Lower
5	532 18 85-06	Frame, Grassbag	43	532 42 68-12	Bail, Control
6	812 00 00-14	E-Ring	44	532 18 27-48	Grip, Foam
7	532 19 05-81	Door, Grassbag	45	532 18 62-96	Handle Assembly, Upper (Includes Foam Grip)
8	532 18 34-79	Rod, Pivot	46	532 40 88-85	Cable, Engine Zone Control
9	872 14 04-05	Bolt, Carriage 1/4-20	47	532 17 88-48	Screw, Hex Washer Head #10-16 x 5/8
10	873 80 04-00	Nut, Hex, Nylock 1/4-20	48	532 43 00-34	Bracket, Upstop
11	532 19 06-92	Tube, Skirt	49	532 13 20-04	Nut, Hex
15	532 15 04-06	Bolt, Engine Mounting	50	532 18 85-01	Rope Guide
16	532 41 50-76	Blade, 21"	51	532 43 34-29	Kit, Housing
17	532 85 10-74	Washer, Hardened	52	- - -	Engine, Briggs & Stratton, Model Number 100602-2980-B8 (Order parts from Engine Manufacturer)
18	532 85 02-63	Washer, Lock	53	532 40 18-96	Grassbag Assembly, Complete
19	532 19 17-60	Bolt, Hex Head, Grade 8	54	532 43 33-59	Discharge Chute Assembly
20	532 18 67-66	Adapter, Blade	55	532 19 41-92	Stud, Shoulder T45
21	532 19 05-16	Debris Shield	56	812 00 00-58	E-Ring
22	817 60 04-06	Screw, Hex Head, Serrated	86	532 43 22-34	Bolt, Captive
27	532 18 21-66	Decal, Danger	--	532 18 21-34	Decal, Warning (not shown)
28	532 43 33-69	Mulcher Door Assembly	--	532 43 46-76	Operator's Manual, European
34	532 19 06-19	Adjustment Bracket, Lower Handle, LH	--	532 43 46-77	Operator's Manual, Scandinavian
35	532 18 23-98	Knob, Star	--	532 43 46-78	Opeator's Manual, East Bloc
36	532 19 41-87	Bolt, Shoulder	--	532 43 46-82	Opeator's Manual, Baltic
37	532 18 59-96	Discharge Deflector Assembly			

NOTE: All component dimensions given in U.S. inches. 1 inch = 25.4 mm. **IMPORTANT:** Use only Original Equipment Manufacturer (O.E.M.) replacement parts. Failure to do so could be hazardous, damage your lawn mower and void your warranty.

HUSQVARNA ROTARY LAWN MOWER - MODEL NO. R 152SVSW (96141006409) PRODUCT NO. 961 41 00-64



HUSQVARNA ROTARY LAWN MOWER - MODEL NO. R 152SVSW (96141006409) PRODUCT NO. 961 41 00-64

KEY NO.	PART NO.	DESCRIPTION	KEY NO.	PART NO.	DESCRIPTION
1	532 42 56-65	Drive Control Assembly (Includes Cable)	33	532 40 91-48	Nut, Hex
6	532 18 16-98	Screw, Torx Head #8-5/8	34	532 18 34-42	Hubcap
7	532 40 07-23	Mounting Bracket, Drive Control	35	532 42 52-42	Knob, Star
9	532 19 70-11	Cable, Drive Control	37	532 40 48-45	Pawl
12	812 00 00-12	Ring, Retaining	38	812 00 00-58	E-Ring
13	532 19 41-86	Screw	39	532 40 38-49	Pinion
14	532 40 80-27	Bearing / Axle Support	43	532 19 05-20	Lever, Selector, Wheel Height, Rear
15	532 41 92-11	Gear Case Assembly, Complete	44	532 16 96-75	Clip, Retainer
16	532 40 65-58	Spring, Return	45	532 18 50-51	Spring
17	532 40 80-05	Belt Keeper	46	532 18 50-54	Rod, Lock
18	532 16 34-09	Screw	47	532 40 91-49	Nut, Hex, Flangelock
19	532 44 32-62	Pulley, Drive	48	532 18 89-06	Washer, Flat 1/2
20	532 41 69-63	Drive Cover Assembly (Includes Mounting Screws and Retainers)	49	532 19 59-96	Bushing
21	532 19 74-80	O-Ring, Rear Wheel	50	532 40 80-31	Belt, Drive
22	532 19 37-91	Pulley Assembly, V-Groove	53	532 41 67-40	Rear Axle Assembly
23	532 18 81-52	O-Ring, Caster Wheel	57	532 41 70-63	Bracket, Caster Wheel, LH
24	532 40 91-49	Nut, Hex, Flangelock	58	532 18 72-48	Wing Nut 5/16-18
25	873 93 05-00	Nut, Hex, Lock	59	532 18 51-11	Spacer
26	532 41 67-36	Idler Arm	60	532 19 22-34	Wheel Assembly, Front 9 x 2-1/4
27	532 16 60-43	Pulley, Idler	61	872 27 05-28	Bolt, Carriage 5/16-18 x 3-1/2
28	532 16 08-29	Bolt, Hex Head, Shoulder	62	532 18 74-74	Bolt, Carriage 5/16-18 x 7/8
29	817 06 04-10	Screw 1/4-20 x 1/16	63	532 18 84-75	Strap, Front
30	532 18 34-57	Cover, Dust, Wheel	64	532 41 40-70	Support Tube Assembly, LH
31	532 08 83-48	Washer, Flat 3/8	65	532 41 70-64	Bracket, Caster Wheel, RH
32	532 19 26-22	Wheel Assembly, Rear 9 x 2-1/4	66	532 41 40-69	Support Tube Assembly, RH
			67	532 18 75-55	Bolt, Carriage 5/16-18 x 5/8
			68	532 18 72-63	Nut, Hex 5/16
			69	532 75 10-68	Bearing, Ball (Wheel)

NOTE: All component dimensions given in U.S. inches. 1 inch = 25.4 mm. **IMPORTANT:** Use only Original Equipment Manufacturer (O.E.M.) replacement parts. Failure to do so could be hazardous, damage your lawn mower and void your warranty.