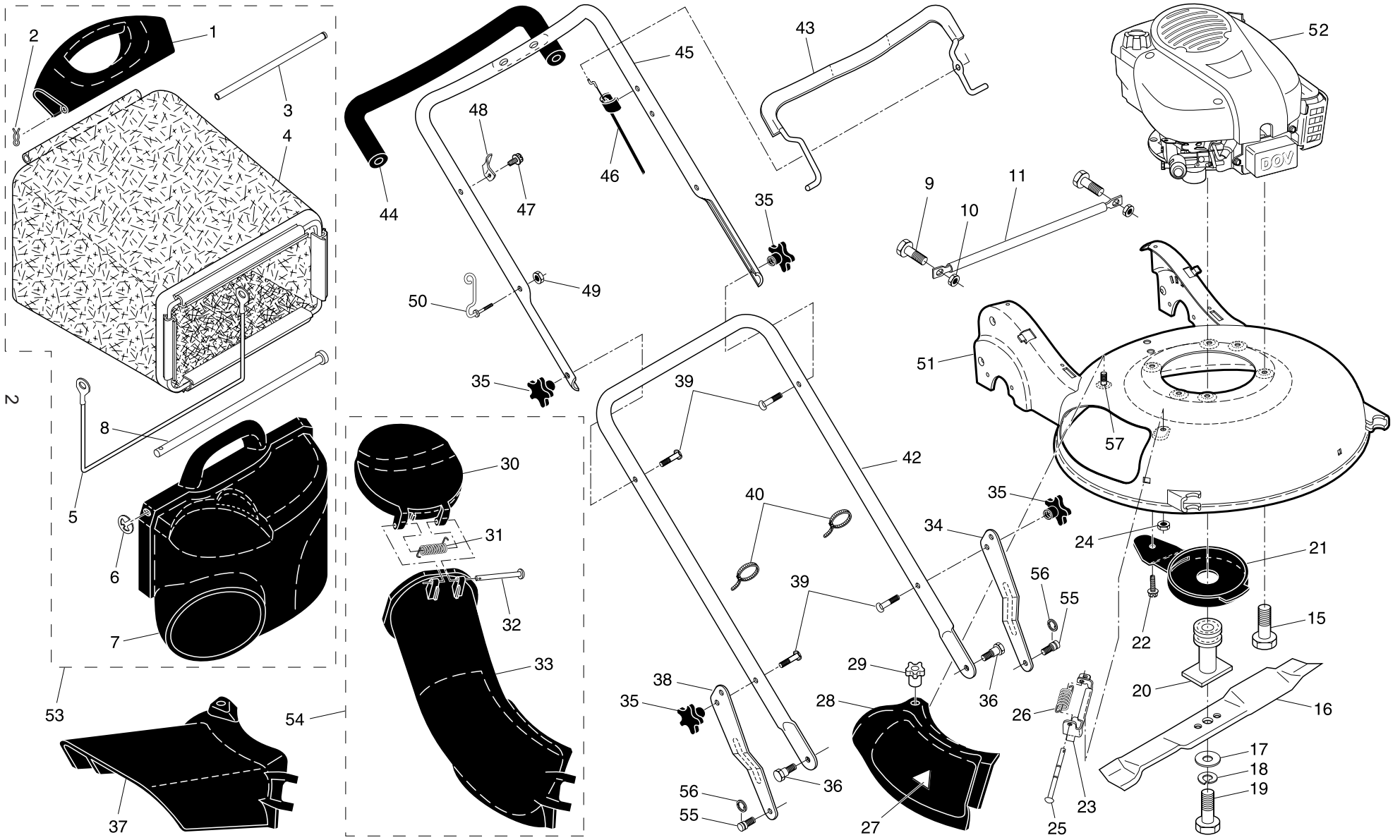


ROTARY LAWN MOWER - - MODEL NUMBER R152SVSW (96141006403) PRODUCT NUMBER 961 41 00-64

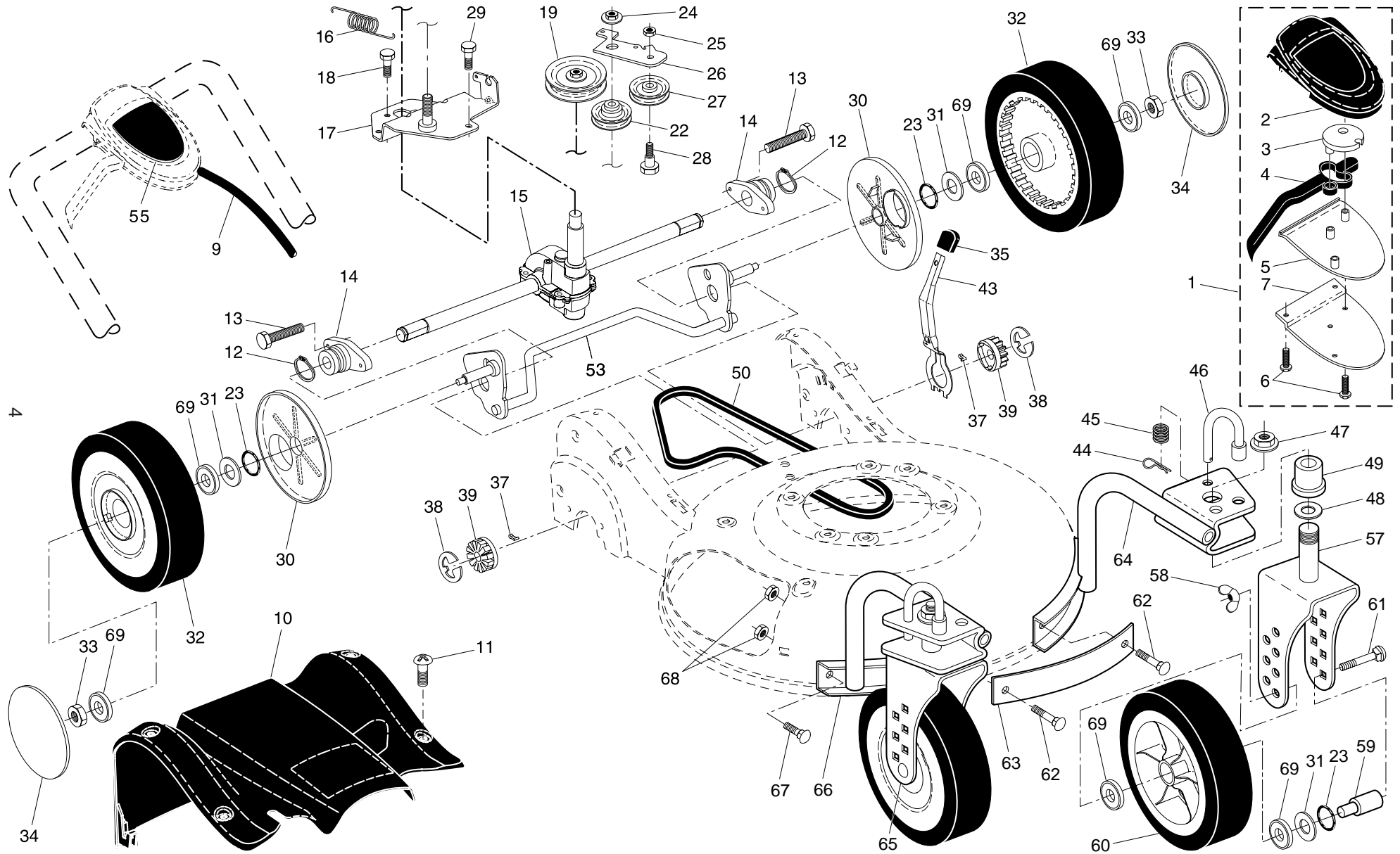


ROTARY LAWN MOWER - - MODEL NUMBER R152SVSW (96141006403) PRODUCT NUMBER 961 41 00-64

KEY NO.	PART NO.	DESCRIPTION	KEY NO.	PART NO.	DESCRIPTION
1	532 19 05-82	Handle, Grassbag, Rear	33	532 19 05-78	Discharge Chute, Plastic
2	532 06 53-22	Hairpin Cotter	34	532 19 06-19	Adjustment Bracket, Lower Handle, LH
3	532 18 34-83	Rod, Rear Handle, Grassbag	35	532 18 55-88	Knob, Star
4	532 40 18-98	Grassbag	36	532 19 41-87	Bolt, Shoulder
5	532 18 85-06	Frame, Grassbag	37	532 18 59-96	Deflector, Discharge
6	812 00 00-14	E-Ring	38	532 19 06-21	Adjustment Bracket, Lower Handle, RH
7	532 19 05-81	Door, Grassbag	39	532 19 15-74	Bolt, Handle
8	532 18 34-79	Rod, Pivot	40	532 06 64-26	Wire Tie
9	872 14 04-05	Bolt, Carriage 1/4-20	42	532 18 70-96	Handle Assembly, Lower
10	873 80 04-00	Nut, Hex, Nylock 1/4-20	43	532 18 62-98	Bail, Control
11	532 19 06-92	Foot Guard	44	532 18 27-48	Grip, Foam
15	532 15 04-06	Bolt, Engine Mounting	45	532 18 62-96	Handle Assembly, Upper (Includes Foam Grip)
16	532 41 50-76	Blade, 21"	46	532 40 88-85	Cable, Engine Zone Control
17	532 85 10-74	Washer, Hardened	47	532 75 06-34	Screw
18	532 85 02-63	Washer, Lock	48	532 12 52-03	Bracket, Upstop
19	532 19 17-60	Bolt, Hex Head, Grade 8	49	532 13 20-04	Nut, Hex
20	532 18 67-66	Adapter, Blade	50	532 18 85-01	Rope Guide
21	532 19 05-16	Debris Shield	51	532 41 93-89	Kit, Housing
22	817 60 04-06	Screw, Hex Head, Serrated	52	- - -	Engine, Briggs & Stratton, Model Number 100602 (Order parts from Engine Manufacturer)
23	532 18 36-09	Mounting Bracket, Mulcher Door	53	532 40 18-96	Grassbag Assembly, Complete
24	532 19 17-30	Nut, Hex	54	532 18 90-14	Discharge Chute Assembly, Complete
25	532 18 34-45	Rod, Hinge	56	812 00 00-58	E-Ring
26	532 18 34-46	Spring, Mulcher Door	57	532 19 41-92	Stud, Threaded 1/4-20 x 5/8
27	532 18 21-66	Decal, Danger	--	532 18 21-34	Decal, Warning (not shown)
28	532 19 05-15	Mulcher Door	--	532 41 79-39	Operator's Manual, European
29	532 18 34-47	Knob	--	532 41 79-40	Operator's Manual, Scandinavian
30	532 19 05-80	Door, Discharge Chute	--	532 41 79-41	Operator's Manual, East Bloc
31	532 18 34-78	Spring, Door, Discharge Chute	--	532 41 79-42	Operator's Manual, Baltic
32	532 18 34-45	Rod, Door, Discharge Chute			

NOTE: All component dimensions given in U.S. inches. 1 inch = 25.4 mm. **IMPORTANT:** Use only Original Equipment Manufacturer (O.E.M.) replacement parts. Failure to do so could be hazardous, damage your lawn mower and void your warranty.

ROTARY LAWN MOWER - - MODEL NUMBER R152SVSW (96141006403) PRODUCT NUMBER 961 41 00-64



ROTARY LAWN MOWER - - MODEL NUMBER R152SVSW (96141006403) PRODUCT NUMBER 961 41 00-64

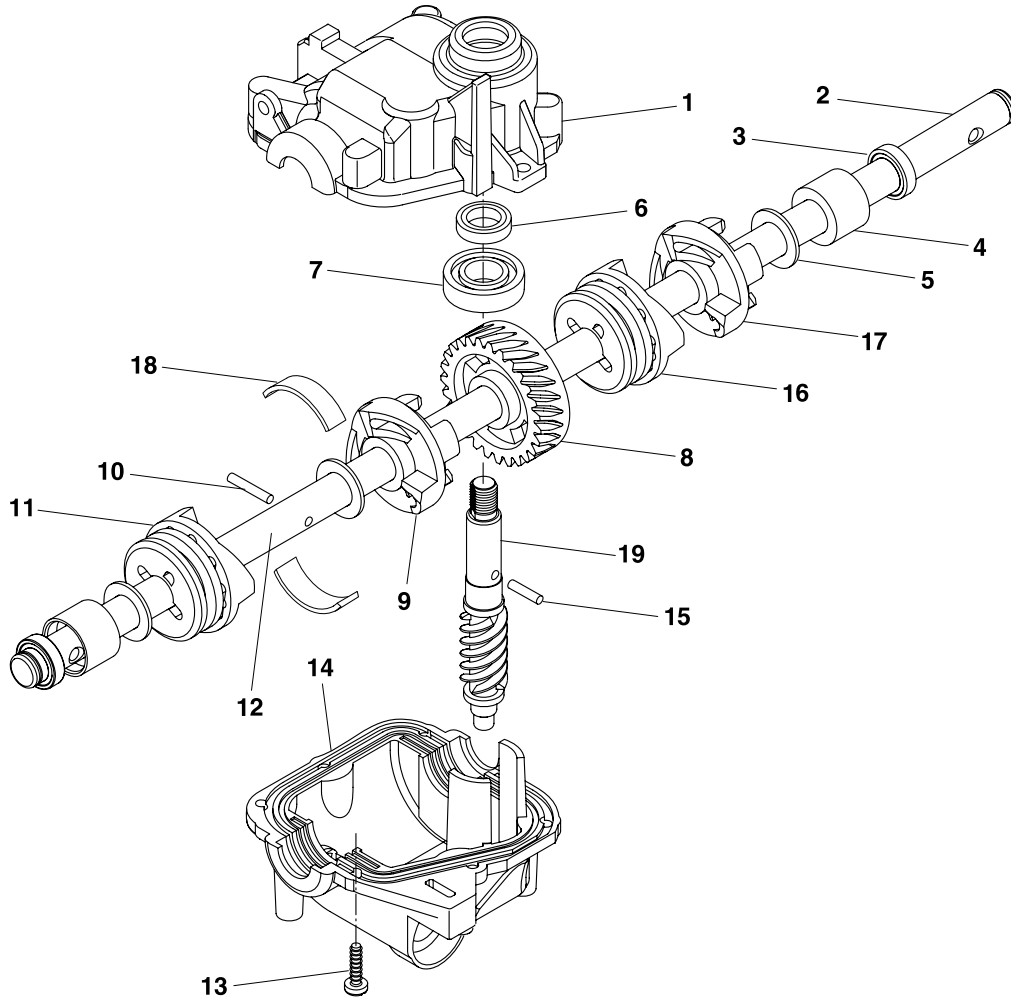
KEY NO.	PART NO.	DESCRIPTION	KEY NO.	PART NO.	DESCRIPTION
1	532 19 70-12	Drive Control Assembly, Complete	33	532 40 91-48	Nut, Hex
2	532 41 16-73	Cover, Drive Control, Top	34	532 18 34-42	Hubcap
3	532 18 73-53	Pulley, Drive Control	35	532 18 59-94	Knob
4	532 19 00-37	Lever, Drive Control	37	532 40 48-45	Pawl
5	532 41 16-64	Cover, Drive Control, Bottom	38	812 00 00-58	E-Ring
6	532 18 16-98	Screw, Torx Head #8-5/8	39	532 40 38-49	Pinion
7	532 40 07-23	Bracket, Mounting, Drive Control	43	532 19 05-20	Lever, Selector, Wheel Height, Rear
9	532 19 70-11	Cable, Drive Control	44	532 16 96-75	Clip, Retainer
10	532 41 69-63	Cover Assembly, Drive	45	532 18 50-51	Spring
11	532 19 41-88	Screw	46	532 18 50-54	Rod, Lock
12	812 00 00-12	Ring, Retaining	47	532 18 72-47	Nut, Hex, Flangelock
13	532 08 86-52	Screw	48	532 18 89-06	Washer, Flat 1/2
14	532 40 80-27	Bearing / Axle Support	49	532 19 59-96	Bushing
15	532 40 80-29	Gear Case Assembly (See Breakdown)	50	532 40 80-31	Belt, Drive
16	532 40 65-58	Spring, Return	53	532 41 67-40	Rear Axle Assembly
17	532 40 80-05	Belt Keeper	55	532 41 69-58	Decal, Drive Control
18	532 16 34-09	Screw	57	532 41 70-63	Bracket, Caster Wheel, LH
19	532 19 40-18	Pulley, Drive	58	532 18 72-48	Wing Nut 5/16-18
22	532 19 37-91	Pulley Assembly, V-Groove	59	532 18 51-11	Spacer
23	532 18 81-52	O-Ring	60	532 19 22-34	Wheel Assembly, Front 9 x 2-1/4
24	532 40 91-49	Nut, Hex, Flangelock	61	872 27 05-28	Bolt, Carriage 5/16-18 x 3-1/2
25	873 93 05-00	Nut, Hex, Lock	62	532 18 74-74	Bolt, Carriage 5/16-18 x 7/8
26	532 41 67-36	Idler Arm	63	532 18 84-75	Strap, Front
27	532 16 60-43	Pulley, Idler	64	532 41 40-70	Support Tube Assembly, LH
28	532 16 08-29	Bolt, Hex Head, Shoulder	65	532 41 70-64	Bracket, Caster Wheel, RH
29	817 06 04-10	Screw 1/4-20 x 1/16	66	532 41 40-69	Support Tube Assembly, RH
30	532 18 34-57	Cover, Dust, Wheel	67	532 18 75-55	Bolt, Carriage 5/16-18 x 5/8
31	532 08 83-48	Washer, Flat 3/8	68	532 18 72-63	Nut, Hex 5/16
32	532 19 26-22	Wheel Assembly, Rear 9 x 2-1/4	69	532 75 10-68	Bearing, Ball (Wheel)

NOTE: All component dimensions given in U.S. inches. 1 inch = 25.4 mm. **IMPORTANT:** Use only Original Equipment Manufacturer (O.E.M.) replacement parts. Failure to do so could be hazardous, damage your lawn mower and void your warranty.

ROTARY LAWN MOWER - - MODEL NUMBER R152SVSW (96141006403)

PRODUCT NUMBER 961 40 80-29

GEARCASE ASSEMBLY - PART NUMBER 532 40 80-29



KEY NO.	PART NO.	DESCRIPTION
---------	----------	-------------

1	532 41 27-36	Case, Upper
2	532 41 32-69	Shaft, Output, Long
3	532 18 35-08	Seal, Output Shaft
4	532 18 35-11	Bushing
5	532 18 35-09	Washer
6	532 18 35-14	Seal, Worm Shaft
7	532 18 35-06	Bearing, Ball
8	532 41 27-42	Gear, 28 Teeth
9	532 41 27-39	Fixed Dog Clutch, LH
10	532 41 27-41	Pin, Output Shaft
11	532 41 27-40	Movable Dog Clutch, LH
12	532 41 32-68	Shaft, Output, Short
13	532 18 35-13	Screw, Case
14	532 41 27-47	Case, Lower
15	532 41 27-46	Pin, Worm Shaft
16	532 41 27-44	Fixed Dog Clutch, RH
17	532 41 27-43	Movable Dog Clutch, RH
18	532 41 07-31	Spring, Leaf
19	532 41 32-67	Shaft, Worm

NOTE: All component dimensions given in U.S. inches. 1 inch = 25.4 mm.

IMPORTANT: Use only Original Equipment Manufacturer (O.E.M.) replacement parts. Failure to do so could be hazardous, damage your lawn mower and void your warranty.