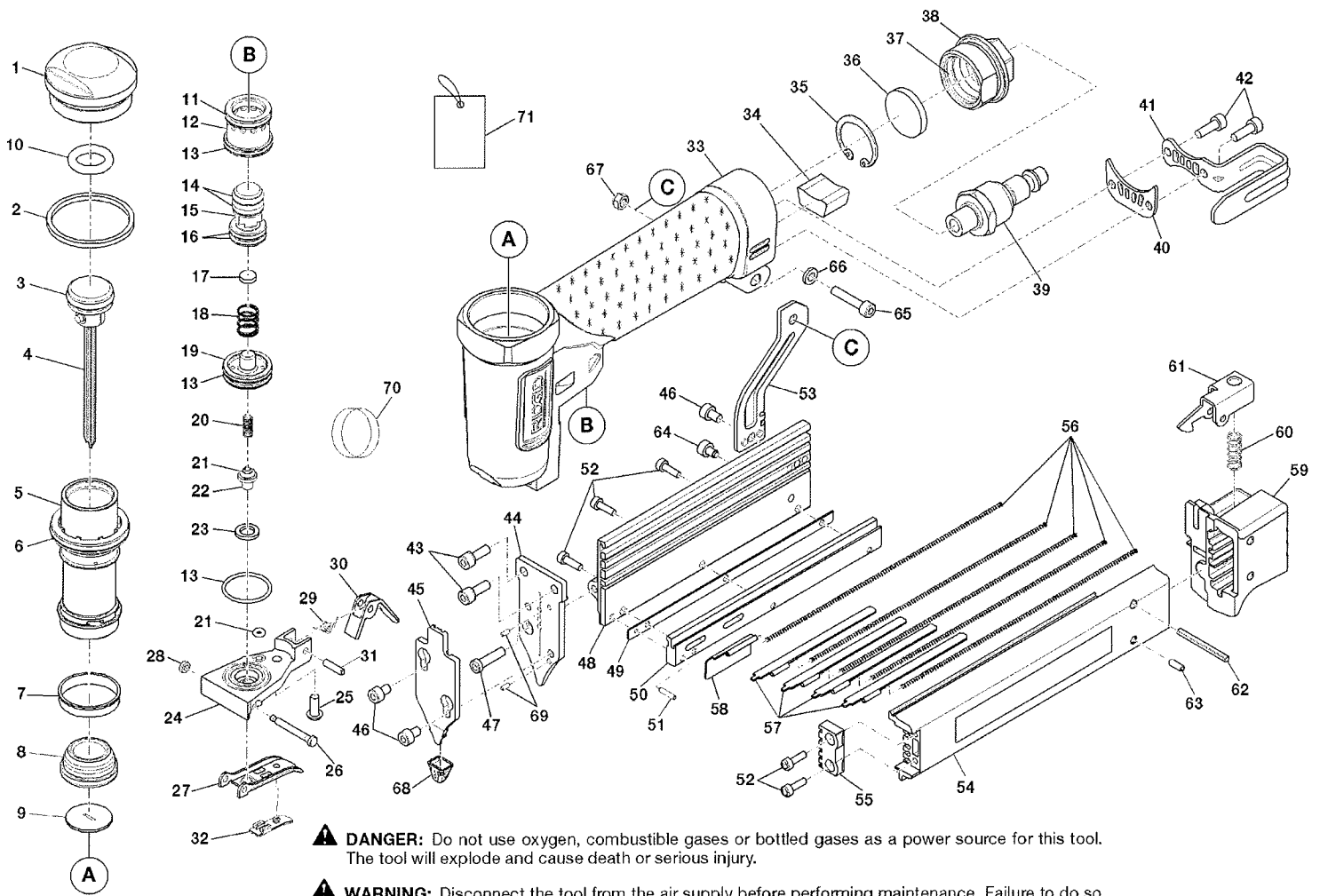


# R138HPA Headless Pinner General Assembly



Ref #	Part Number	Qty	S/P/F	Description
1	079028001001	1		CAP
2	079028001002	1		SEAL
3	079028001003	1		O-RING(16x3)
4	079028001004	1		DRIVER UNIT
5	079028001005	1		CYLINDER
6	079028001006	1		O-RING (31.2 x2.4)
7	079028001007	1		CYLINDER RING
8	079028001008	1		BUMPER
9	079028001009	1		DRIVER GUIDE
10	079028001010	1		O-RING (13x4)
11	079028001011	1		O-RING (18.77 x 1.78)
12	079028001012	1		TRIGGER VALVE HEAD
13	079028001013	3		O-RING (20 x 1.5)
14	079028001014	2		O-RING (10 x 2.5)
15	079028001015	1		VALVE PLUNGER
16	079028001016	2		O-RING (14 x 1.8)
17	079028001017	1		CUSHION
18	079028001018	1		SPRING
19	079028001019	1		PLUNGER CAP
20	079001001022	1		SPRING
21	079028001020	2		O-RING (2.57 x 1.78)
22	079028001021	1		PLUNGER
23	079028001022	1		COLLAR
24	079028001023	1		PLUNGER CAP
25	079002001083	1		BOLT (HALF ROUND HD.HEX.) (M4 x 0.7-10)
26	079028001024	1		TRIGGER PIVOT PIN
27	079028001025	1		PRIMARY TRIGGER
28	079001001029	1		RETAINER
29	079028001026	1		SPRING
30	079028001027	1		SECONDARY TRIGGER
31	079002001039	1		SPRING PIN (3-12)
32	079028001028	1		CUSHION
33	079028001029	1		TOOL BODY UNIT
34	079028001030	1		MUFFLER
35	079028001031	1		C-RING
36	079028001032	1		FILTER
37	079028001033	1		END CAP (NPT 1/4 in.-18)
38	079028001034	1		O - RING (27.48 x 1.6)
39	079001001046	1		AIR PLUG (NPT 1/4 in.-18)
40	079028001035	1		DEFLECTOR PLATE
41	079028001036	1		SPRING RETAINER
42	079028001037	2		BOLT (HEX SOC.HD.) (M4 x 0.7-12)
43	079028001038	2		BOLT ASSY (M4 x 0.7-12 + 4)
44	079028001039	1		DRIVER GUIDE
45	079028001040	1		DRIVER GUIDE COVER A
46	079007001058	3		BOLT (HEX SOC.HD.) (M4 x 0.7-06)
47	079001001065	1		BOLT (HEX SOC.HD.) (M4 x 0.7-16)
48	079028001900	1		MAGAZINE WITH DATA LABEL
49	079028001042	1		FLAT BAR
50	079028001043	1		MAGAZINE GUIDE
51	079007001070	1		SPRING PIN (2-10)
52	079028001044	5		BOLT (HEX SOC.HD.) (M3 x 0.5-10)
53	079028001045	1		BRACKET

Ref #	Part Number	Qty	S/P/F	Description
54	079028001901	1		MAGAZINE B WITH WARNING LABEL
55	079028001047	1		FIXED SUPPORT
56	079028001048	5		PUSHER SPRING
57	079028001049	4		STOPPER
58	079028001050	1		PUSHER
59	079028001051	1		HOOD COVER
60	079003001084	1		SPRING
61	079028001052	1		LATCH
62	079028001053	1		SPRING PIN (3-32)
63	079028001054	1		SPRING PIN (3-8)
64	079028001055	1		SCREW
65	079028001056	1		BOLT (HEX SOC.HD.) (M4 x 0.7-20)
66	079028001057	1		FLAT WASHER (D8 X D4.2 x T1.5)
67	079001001064	1		LOCK NUT (M4 x 0.7)
68	079028001058	1		NO MAR PAD
69	079028001059	2		PIN
70	079028001061	1		TRIGGER WRAP LABEL
71	079028001065	1		HANG TAG - (TOOL)
72	079028001062	1		OIL AND WRENCH KIT (INCLUDES OIL, 2.5 mm AND 3 mm HEX KEYS) NOT SHOWN
73	079028001902	1		DATA LABEL NOT SHOWN
74	079028001903	1		WARNING LABEL NOT SHOWN
75	079028001904	2		LOGO LABEL NOT SHOWN
76	079028001063	1		OVERHAUL MAINTENANCE KIT (INCLUDES KEY NOS. 2-4, 6-8, 10, INSTRUCTION SHEET AND LUBRICANT) NOT SHOWN
77	079028001064	1		DRIVER MAINTENANCE KIT (INCLUDES KEY NOS. 2-4, 8,10 INSTRUCTION SHEET AND LUBRICANT) NOT SHOWN
78	079028001700	1		DRIVER ASSY (INCLUDES KEY NOS. 3, 4, INSTRUCTION SHEET AND LUBRICANT) NOT SHOWN
79	079001001088	1		EYE PROTECTION NOT SHOWN
80	983000623	1		FASTENER GUIDE NOT SHOWN
81	987000183	1		OPERATOR'S MANUAL NOT SHOWN