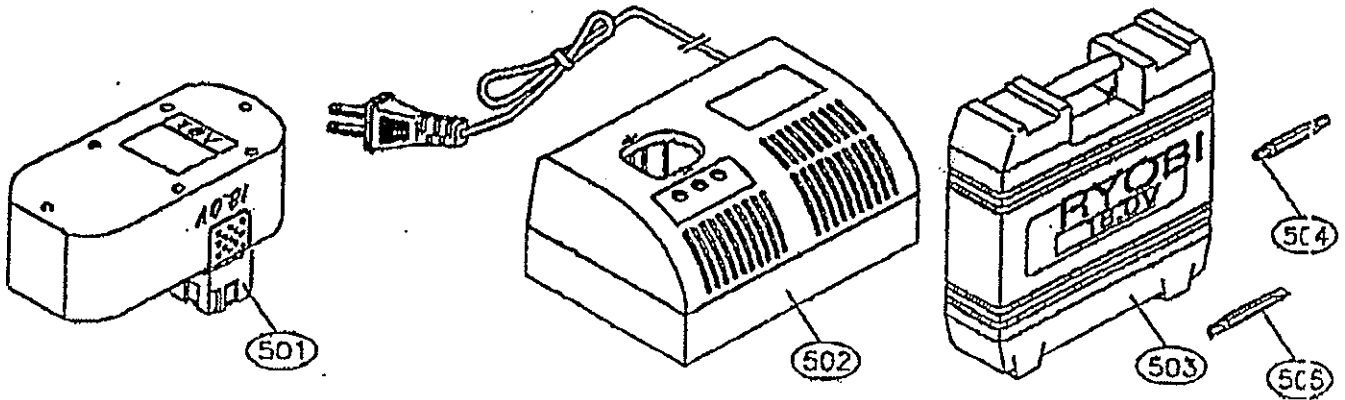
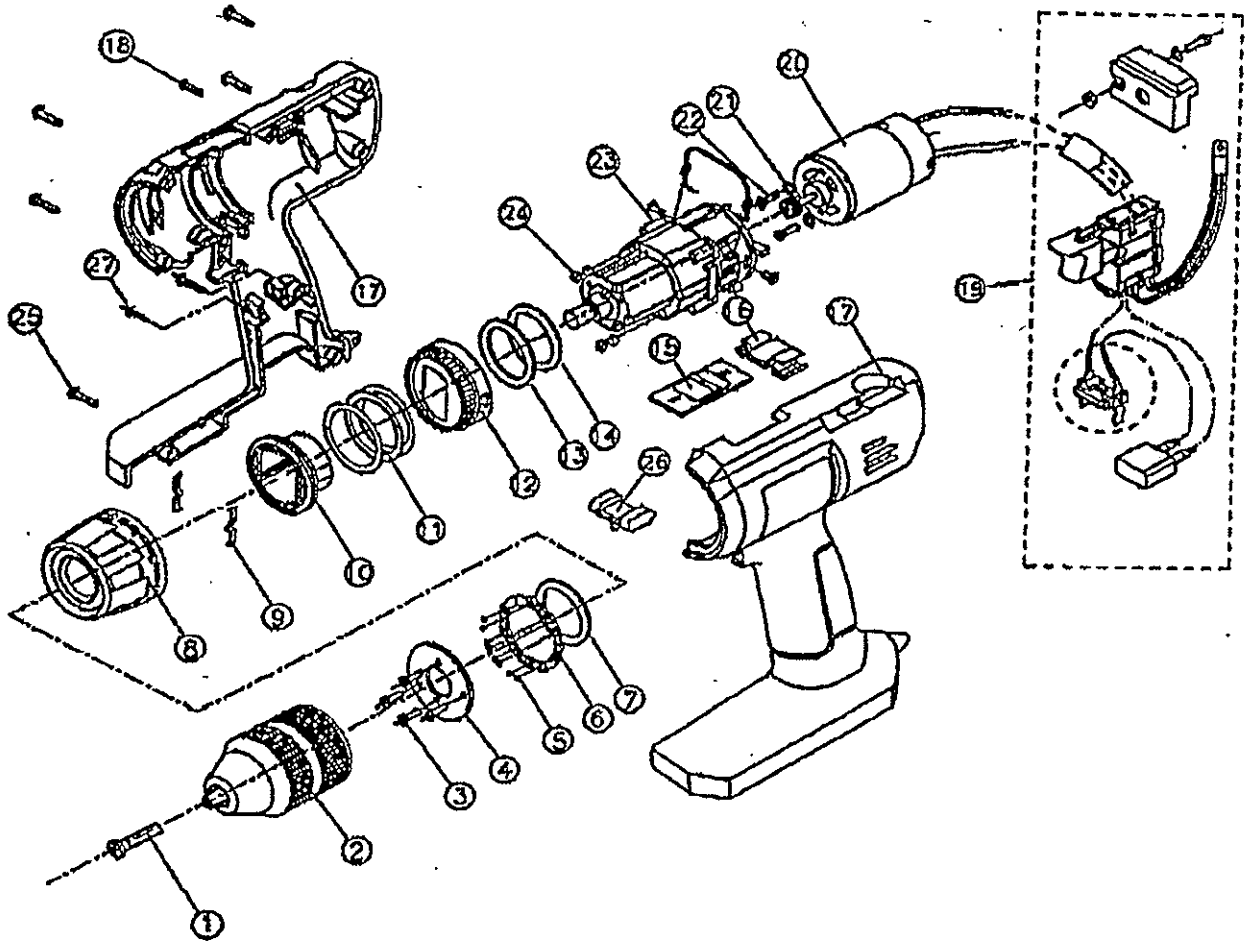


18V Center Handle Drill

R10530K2



**PARTS LIST FOR AFTER SALES SERVICE
MODEL R10530K2**

REF	PART NO.	DESCRIPTION	QTY	REF	PART NO.	DESCRIPTION	QTY
1	4130272	SCREW M6X1X27MM	1	STANDARD ACCESSORIES			
2	4130282	CHUCK 1/2"	1	501	1400672	BATTERY PACK	2
3	1130302	SCREW M3X14	4	502	1400677	UNIVERSAL CHRGR	1
4	4900094	MOUNTING PLATE	1	503	4700038	CARRYING CASE	1
5	1290021	STEEL BALL 3MM	8	504	4240023	DOUBLE BIT PH #2/SLOT#6	1
6	4190002	BALL HOLDER, PLASTIC	1	505	4240022	DOUBLE BIT PH #3/SLOT#7	1
7	4900095	WASHER	1				
8	4900106	CLUTCH CAP	1				
9	4180026	SPRING PLATE	2				
10	4900097	PLASTIC SLEEVE	1				
11	4180027	TORQUE SPRING	1				
12	4360005	LOCATION CUP, PLASTIC	1				
13	4900099	CLUTCH WASHER	1				
14	1900149	WASHER 30.5X15MM	1				
15	4360008	HOUSING LEVER	1				
16	1360077	PLASTIC BIT HOLDER	1				
17	4800042	HOUSING	1				
18	981353001	SET SCREW (M3X12)	1				
19	4550047	SWITCH ASSY	1				
20	981352001	MOTOR ASSY	1				
21	1900015	SPRING WASHER	2				
22	1130047	SCREW M4X10MM	2				
23	4050009	GEAR BOX	1				
24	1290002	STEEL BALL 5MM	12				
25	4130283	SCREW (M4X16)	7				
26	4900107	FR BUTTON	1				
27	1130302	SET SCREW (M3X14)	1				
	4910055	RATING LABEL	1				
	4910056	BRAND LABEL	1				

SERVICE NOTES: