

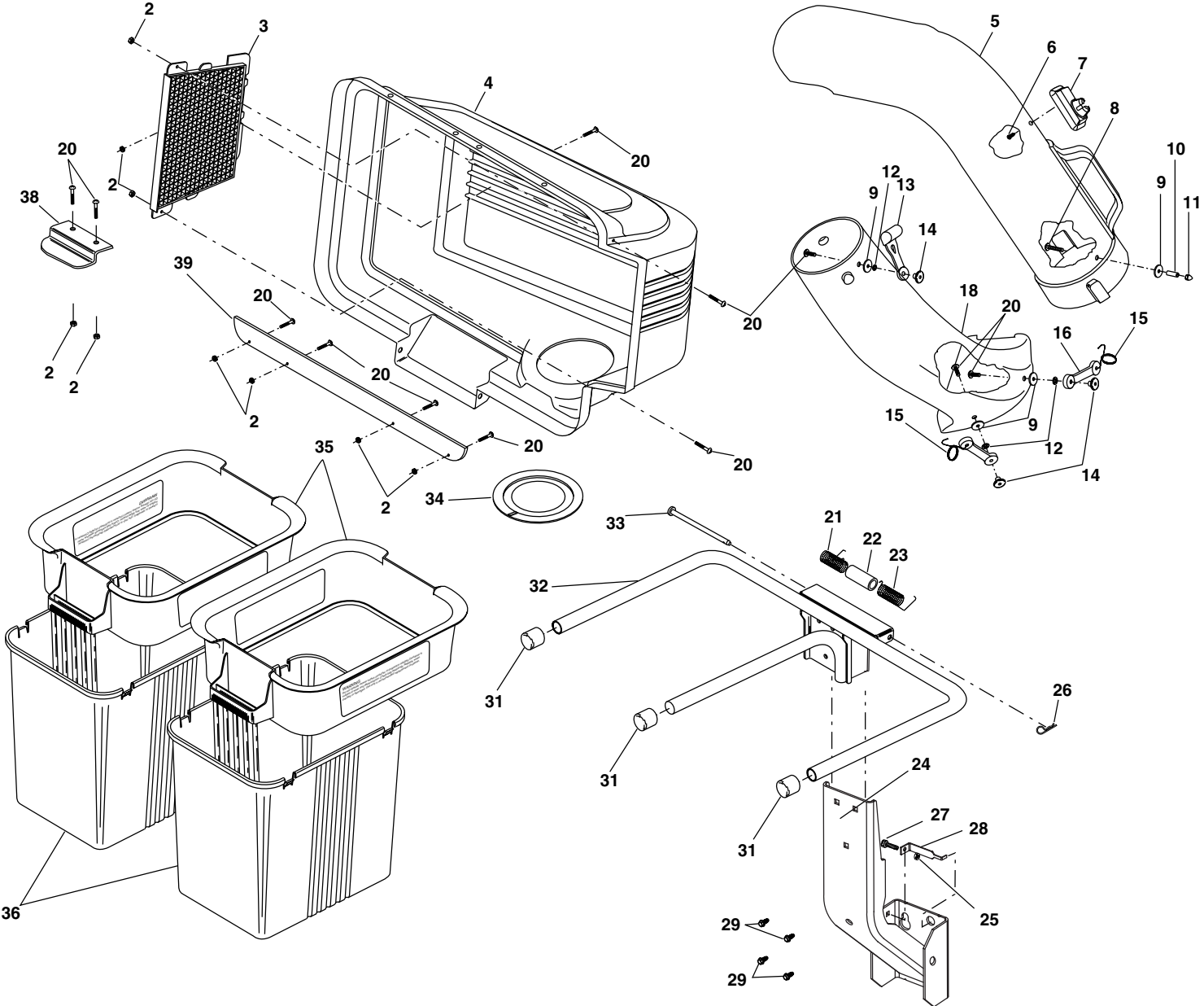
**Illustrated Parts List**  
**Model QCT42**  
**Mfg. ID No. 96072000600**  
**Product No. 960 72 00-06**  
**42 Inch Mower**  
**Grass Catcher**

- **Repair Parts**
-

# REPAIR PARTS / PIÈCES DE RECHANGE

GRASS CATCHER - - MODEL NUMBER QCT42 / RAMASSE-HERBE - - NUMÉRO DE MODÈLE QCT42

PRODUCT NUMBER 960 72 00-06 / NUMÉRO DE PRODUIT 960 72 00-06



# REPAIR PARTS / PIÈCES DE RECHANGE

GRASS CATCHER - - MODEL NUMBER QCT42 / RAMASSE-HERBE - - NUMÉRO DE MODÈLE QCT42

PRODUCT NUMBER 960 72 00-06 / NUMÉRO DE PRODUIT 960 72 00-06

KEY NO.	PART NO.	DESCRIPTION	DESCRIPTION	KEY NO.	PART NO.	DESCRIPTION	DESCRIPTION
	2	53269180	Nut, Crownlock #10-24	22	532133235	Spacer, Cover	Entretoise de couvercle
	3	532127533	Screen, Cover	23	532132983	Spring, Cover R.H. (gray)	Ressort de couvercle C.D.
	4	532171061	Cover Assembly (Includes 3, 38, 39)	24	532180923	Support Assemble	Ensemble du support
	5	532126840	Chute, Upper	25	873800400	Locknut	Écrou frein
	6	818021008	Screw, Special #10-14x1/2	26	532124670	Spring, Retainer	Ressort de retenue
	7	532130933	Full Bag Indicator	27	872140405	Bolt	Boulon
81	8	532087175	Screw, #10-24 x 1-1/8	28	532179745	Bracket, Lock	Support frien
	9	819061216	Washer 3/16x3/4x16 Ga.	29	532170165	Shoulder Bolt	Boulon
	10	532007206	Spacer, Split	31	532174083	Plug, Tubing End	Chapeau de l'extrémité de tuyau
	11	532060867	Nut, Acorn #10-24	32	532179746	Bagger, Frame	Cadre de ramasse-herbe
	12	810071000	Washer, lock	33	532192786	Pin, Hinge	Goupille de charnière
	13	532109808	Latch, Chute	34	532127534	Gasket, Cover	Garniture de couvercle
	14	532125004	Nut, Weld	35	532183286	Container, Top	Conteneur supérieur
	15	532160793	Latch, Hook	36	532129586	Container, Bottom	Conteneur inférieur
	18	532162803	Chute, Lower	38	532130895	Latch Handle, Cover	Poignée de loquet de couvercle
	20	871081010	Screw #10-24 x 5/8	39	532155042	Strip, Reinforcement	Bande
	21	532132796	Spring, Cover L.H. (black)	—	532402338	Owner's Manual	Manuel du propriétaire