

Tanaka[®]



Parts Catalog

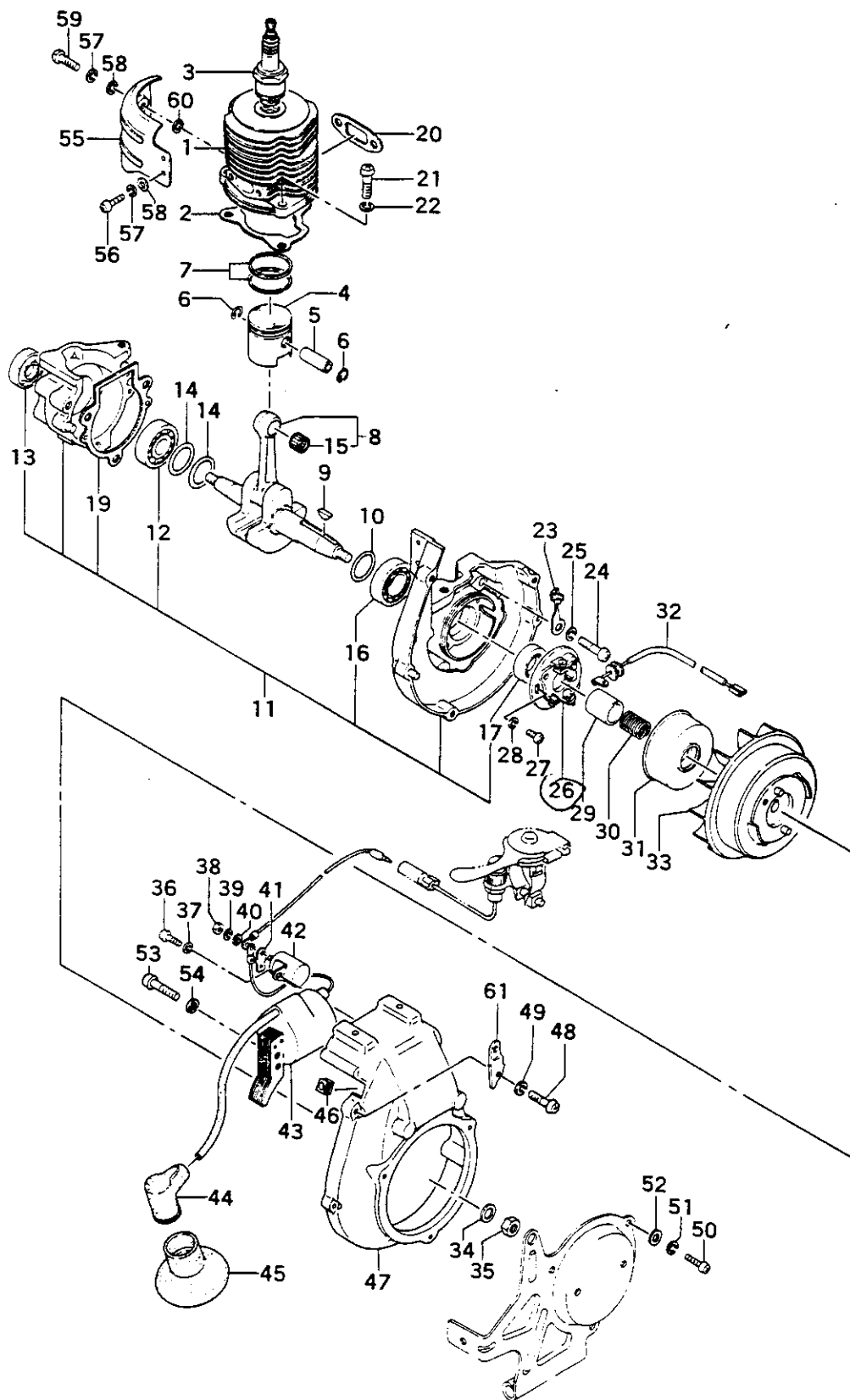


Bicycle Engine

Model: QBM-23N / NA

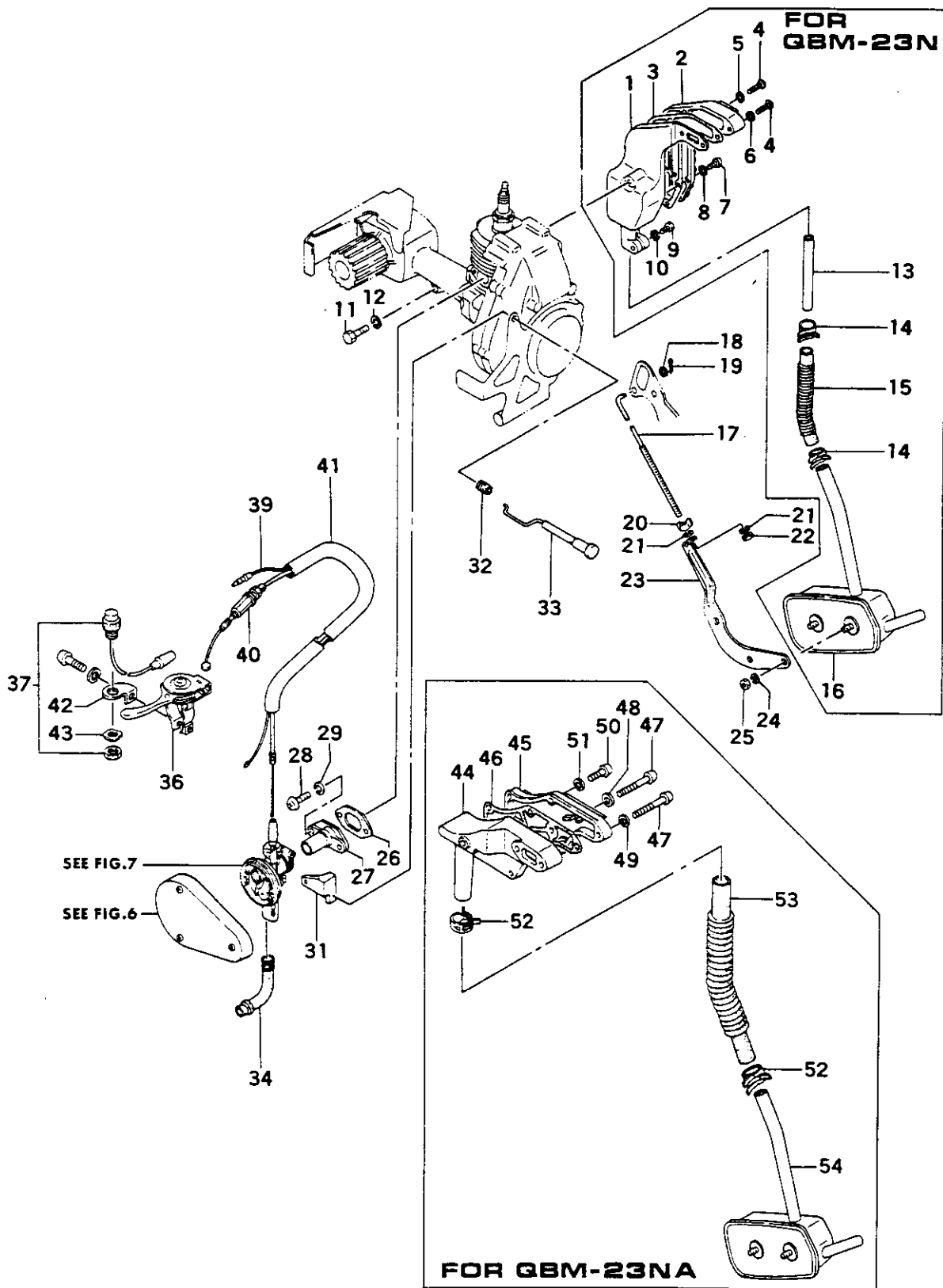
Part # 11232 1-24-97

FIG.1 ENGINE



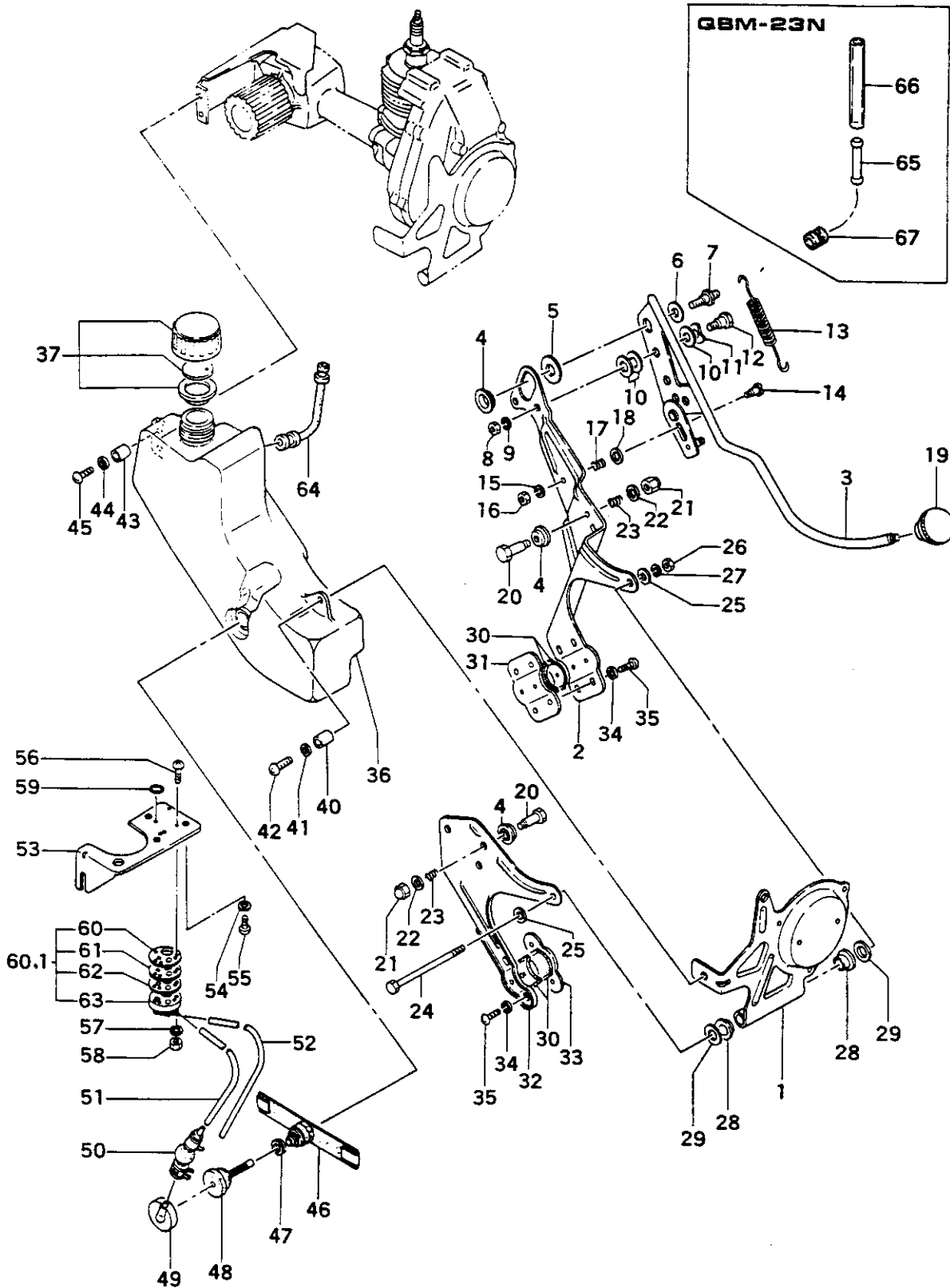
REFERENCE NUMBER	PRODUCTION PART NUMBER	PART NAME	QUANTITY	SERIAL NUMBER	SPARE PART NUMBER
FIG.1 ENGINE					
1-001	002-00500-804	CYLINDER COMP.	1		002 0010 1
1-002	017-00501-202	CYLINDER GASKET	1		017 0010 9
1-003	018-11107-200	SPARK PLUG B-6S	1		018 0220 9
1-004	031-00500-200	PISTON	1		031 0010 3
1-005	037-00000-200	PISTON PIN 9X24	1		037 0000 8
1-006	039-00000-201	PISTON PIN CIRCLIP	2		039 0000 2
1-007	041-00000-200	PISTON RING	2		041 0000 9
1-008	046-00575-801	CRANK SHAFT COMP.	1		046 0070 3
1-009	068-02000-200	WOOD-RUFF KEY 3X13X5	1		068 0040 2
1-010	070-02401-201	CRANK SHAFT WASHER 15X22	1		070 0020 5
1-011	072-00501-900	CRANK CASE ASS'Y	1		072 0210 8
1-012	999-61620-100	BALL BEARING #6201	1		999 6133 4
1-013	999-66122-821	OIL SEAL 12287	1		999 6615 3
1-014	070-00601-201	CRANK SHAFT WASHER 12X18	1		070 0000 1
1-015	038-00000-200	PISTON PIN BUSHING	1		038 0000 5
1-016	999-61600-200	BALL BEARING #6002	1		999 6111 2
1-017	999-66152-500	OIL SEAL 15257	1		999 6622 3
1-019	090-00501-202	CRANK CASE GASKET	1		090 0010 4
1-020	737-00531-201	MUFFLER GASKET	1		737 0031 5
1-021	990-11060-201	SCREW 6X20	3		990 1133 6
1-022	992-10060-012	S.WASHER 6	3		992 1019 7
1-023	198-00501-200	CORD CLAMP	1		198 0010 1
1-024	990-11060-221	SCREW 6X22	3		990 1136 3
1-025	992-10060-012	S.WASHER 6	3		992 1019 7
1-026	159-20702-900	CONTACT BREAKER ASS'Y	1		159 0160 4
1-027	990-11040-081	SCREW 4X8	2		990 1026 3
1-028	992-01040-011	WASHER 4	2		992 0031 0
1-029	246-20701-201	MAGNETO CAM	1		246 0081 1
1-030	247-01000-201	CAM SUPPORT SPRING	1		247 0001 2
1-031	191-00501-201	CONTACT POINT COVER	1		191 0010 2
1-032	173-20702-804	PRIMARY CORD COMP.	1		173 0230 0
1-033	155-21708-800	MAGNETO ROTOR COMP.	1		155 0830 6
1-034	065-00000-200	FLYWHEEL WASHER	1		065 0000 3
1-035	066-00000-200	FLYWHEEL NUT 12	1		066 0000 0
1-036	990-11040-081	SCREW 4X8	1		990 1026 3
1-037	992-10040-012	S.WASHER 4	1		992 1007 2
1-038	991-01030-011	HEX. NUT 3	1		991 0007 6
1-039	992-10030-012	S.WASHER 3	1		992 1002 7
1-040	992-01030-011	WASHER 3	1		992 0028 6
1-041	205-00501-200	TERMINAL TAB	1		205 0000 7
1-042	177-20701-801	CONDENSER COMP.	1		177 0131 4
1-043	167-20748-800	IGNITION COIL COMP.	1		167 0350 2
1-044	157-04000-900	SPARK PLUG CAP ASS'Y	1		157 0050 0
1-045	255-0062A-201	SPARK PLUG RUBBER COVER	1		255 0020 6
1-046	202-10200-201	SECONDARY CORD GROMMET	1		202 0100 9
1-047	112-00564-200	FAN CASE COMP.	1		112 0330 8
1-048	990-11050-201	SCREW 5X20	3		990 1077 7
1-049	992-10050-012	S.WASHER 5	3		992 1012 4
1-050	990-11040-121	SCREW 4X12	3		990 1033 3
1-051	992-10040-012	S.WASHER 4	3		992 1007 2
1-052	992-01040-011	WASHER 4	3		992 0031 0
1-053	990-11050-201	SCREW 5X20	2		990 1077 7
1-054	992-10050-012	S.WASHER 5	2		992 1012 4
1-055	132-00502-201	FLASH PAN	1		132 0000 4

FIG.2 MUFFLER & CARBURETOR



REFERENCE NUMBER	PRODUCTION PART NUMBER	PART NAME	QUANTITY	SERIAL NUMBER	SPARE PART NUMBER
FIG.2 MUFFLER & CARBURETOR					
2-001	716-00539-210	MUFFLER BODY A	1		716 0031 2
2-002	717-00564-200	MUFFLER BODY B	1		717 0110 9
2-003	737-00539-201	MUFFLER GASKET	1		737 0040 3
2-004	990-11050-381	SCREW 5X38	2		990 1093 5
2-005	751-00601-200	MUFFLER S. GASKET	1		751 0000 9
2-006	992-10050-012	S.WASHER 5	1		992 1012 4
2-007	990-11040-141	SCREW 4X14	6		990 1036 0
2-008	992-10040-012	S.WASHER 4	6		992 1007 2
2-009	990-21060-201	BOLT 6X20	1		990 2041 1
2-010	992-10060-012	S.WASHER 6	1		992 1019 7
2-011	990-21060-181	BOLT 6X18	1		990 2039 6
2-012	992-10060-012	S.WASHER 6	1		992 1019 7
2-013	220-36100-210	MUFFLER PIPE	1		220 0171 9
2-014	680-36100-200	CLIP	2		680 0280 2
2-015	222-36100-210	MUFFLER JOINT RUBBER	1		222 0091 4
2-016	531-36150-800	SUB MUFFLER COMP.	1		531 0070 0
2-017	330-36100-202	ADJUSTER ROD	1		330 0330 2
2-018	992-00050-011	SMALL WASHER 5	1		992 0009 1
2-019	992-90200-150	SPLIT PIN	1		992 9007 4
2-020	991-61060-012	WING NUT 6	1		991 6002 5
2-021	992-10060-012	S.WASHER 6	2		992 1019 7
2-022	991-01060-011	HEX. NUT 6	1		991 0022 5
2-023	530-36100-201	SUB MUFFLER STAY	1		530 0480 2
2-024	992-10060-012	S.WASHER 6	2		992 1019 7
2-025	991-01060-011	HEX. NUT 6	2		991 0022 5
2-026	403-00001-200	INLET MANIFOLD GASKET	1		403 0010 2
2-027	393-00005-203	INLET MANIFOLD	1		393 0011 7
2-028	990-11050-161	SCREW 5X16	2		990 1070 4
2-029	992-10050-012	S.WASHER 5	2		992 1012 4
2-031	532-22012-200	CHOKE LEVER CAP	1		532 0010 5
2-032	202-C0575-200	SECONDARY CORD GROMMET	1		202 0000 6
2-033	704-36150-801	CHOKE BUTTON COMP.	1		704 0040 3
2-034	530-00564-200	RETURN PIPE	1		530 0030 5
2-036	870-00005-930	THROTTLE LEVER ASS'Y	1		870 0023 0
2-037	170-01004-801	STOP BUTTON COMP.	1		170 0081 7
2-039	178-00539-810	STOP CORD COMP.	1		178 0061 9
2-040	885-00566-800	THROTTLE WIRE COMP.	1	-0166055	885 0280 9
2-040	885-00575-800	THROTTLE WIRE COMP.	1	0166056-	885 0300 6
2-041	264-00564-200	CABLE PROTECTOR	1		264 0000 8
2-042	640-33300-200	STOP BUTTON FIXING BASE	1		640 0170 0
2-043	992-04080-030	WAVE WASHER 8	1		992 0062 0
FOR QBM-23NA					
2-044	716-36120-200	MUFFLER BODY A	1		716 0730 4
2-045	717-36120-200	MUFFLER BODY B	1		717 0580 0
2-046	737-36120-200	MUFFLER GASKET	1		737 0350 9
2-047	990-11050-421	SCREW 5X42	2		990 1096 2
2-048	751-00601-200	MUFFLER S. GASKET	1		751 0000 9
2-049	992-10050-012	S.WASHER 5	1		992 1012 4
2-050	990-11040-181	SCREW 4X18	3		990 1042 1
2-051	992-10040-012	S.WASHER 4	3		992 1007 2
2-052	680-36120-200	CLIP	2		680 0290 9
2-053	222-36120-200	MUFFLER JOINT RUBBER	1		222 0100 5
2-054	531-36120-800	SUB MUFFLER COMP.	1		531 0040 9

FIG.3 BRACKET, TANK & PUMP

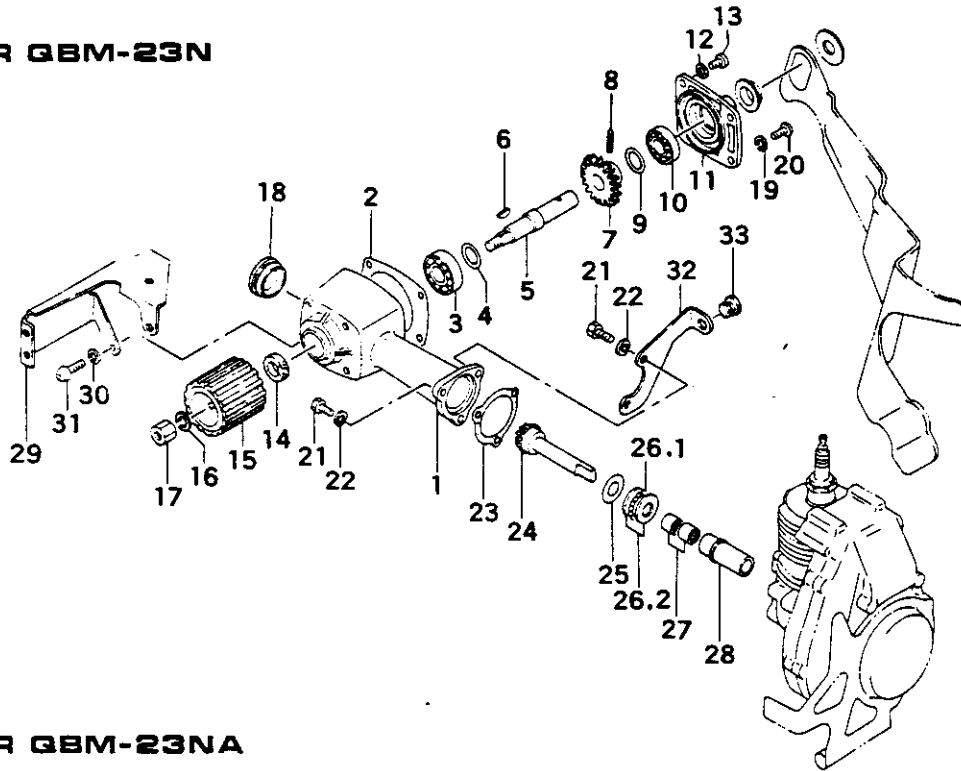


REFERENCE NUMBER	PRODUCTION PART NUMBER	PART NAME	QUANTITY	SERIAL NUMBER	SPARE PART NUMBER
FIG.3 BRACKET, TANK & PUMP					
3-001	115-36150-800	BRACKET	1		115 0230 6
3-002	106-36100-201	CLAMP BRACKET A	1		106 0160 8
3-003	161-36150-801	ROLLER ENGAGE LEVER COMP.	1		161 0140 7
3-004	109-36100-200	CLAMP BRACKET A GUIDE	3		109 0030 5
3-005	307-36100-200	ENGAGE LEVER WASHER	1		307 0350 6
3-006	992-01100-011	WASHER 10	1		992 0053 2
3-007	301-36100-201	ENGAGE LEVER SET BOLT	1		301 0260 8
3-008	991-01060-011	HEX. NUT 6	1		991 0022 5
3-009	992-10060-012	S.WASHER 6	1		992 1019 7
3-010	992-01100-011	WASHER 10	3		992 0053 2
3-011	992-04100-030	WAVE WASHER 10	1		992 0064 8
3-012	300-36100-200	ENGAGE LEVER BOLT	1		300 0540 6
3-013	306-36100-202	LEVER SPRING	1		306 0280 7
3-014	304-36100-200	LINK GUIDE BOLT	1		304 0160 6
3-015	992-10050-012	S.WASHER 5	1		992 1012 4
3-016	991-01050-011	HEX. NUT 5	1		991 0015 5
3-017	308-36100-201	ADJUSTER SPRING A	1		308 0050 4
3-018	992-00060-011	SMALL WASHER 6	1		992 0013 4
3-019	305-36100-200	KNOB	1		305 0060 0
3-020	299-36100-201	STEP BOLT	2		299 0020 6
3-021	991-42050-012	CAP NUT 5	2		991 4006 3
3-022	992-00050-011	SMALL WASHER 5	2		992 0009 1
3-023	309-36100-200	ADJUSTER SPRING B	2		309 0070 5
3-024	990-21061-001	BOLT 6X100	1		990 2065 1
3-025	992-01060-011	WASHER 6	2		992 0040 8
3-026	991-01060-011	HEX. NUT 6	1		991 0022 5
3-027	992-10060-012	S.WASHER 6	1		992 1019 7
3-028	102-36100-202	BRACKET GUIDE PLATE	2		102 0070 4
3-029	108-35500-200	CLAMP BRACKET SPACER	2		108 0180 6
3-030	117-36100-200	CLAMP RUBBER	6		117 0100 6
3-031	112-36100-201	CLAMP STAY A	1		112 1440 7
3-032	107-36100-202	CLAMP BRACKET B	1		107 0310 6
3-033	113-36100-201	CLAMP STAY B	1		113 0230 2
3-034	992-10060-012	S.WASHER 6	6		992 1019 7
3-035	990-11060-251	SCREW 6X25	6		990 1141 5
3-036	401-36150-201	FUEL TANK	1		401 0071 9
3-037	595-00539-900	TANK CAP ASS'Y	1		595 0020 1
3-040	426-36151-200	COLLAR	1		426 0200 8
3-041	359-02103-200	CLUTCH WASHER B	1		359 0010 8
3-042	990-11060-181	SCREW 6X18	1		990 1130 9
3-043	659-00801-200	FUEL TANK BRACKET COLLAR	2		659 0010 1
3-044	992-01050-011	WASHER 5	2		992 0035 6
3-045	990-11050-151	SCREW 5X15	2		990 1069 8
3-046	675-04001-900	PUMP FILTER BODY ASS'Y	1		675 0100 5
3-047	680-04019-210	CLIP 7	1		680 0162 3
3-048	678-00539-200	RUBBER PIPE	1		678 0100 6
3-049	500-33202-205	RUBBER PIPE CAP	1		500 0171 6
3-050	593-01550-900	PRIMER PUMP ASS'Y	1		593 0100 6
3-051	700-03005-200	FUEL PIPE 3X5X200	1		700 0710 5
3-052	700-03005-230	FUEL PIPE 3X5X230	1		700 0740 6
3-053	200-00539-210	PUMP FIXING PLATE	1		200 0001 1
3-054	992-10060-012	S.WASHER 6	3		992 1019 7
3-055	990-10060-101	SCREW 6X10	3		990 1003 2
3-056	990-11040-161	SCREW 4X16	3		990 1040 3

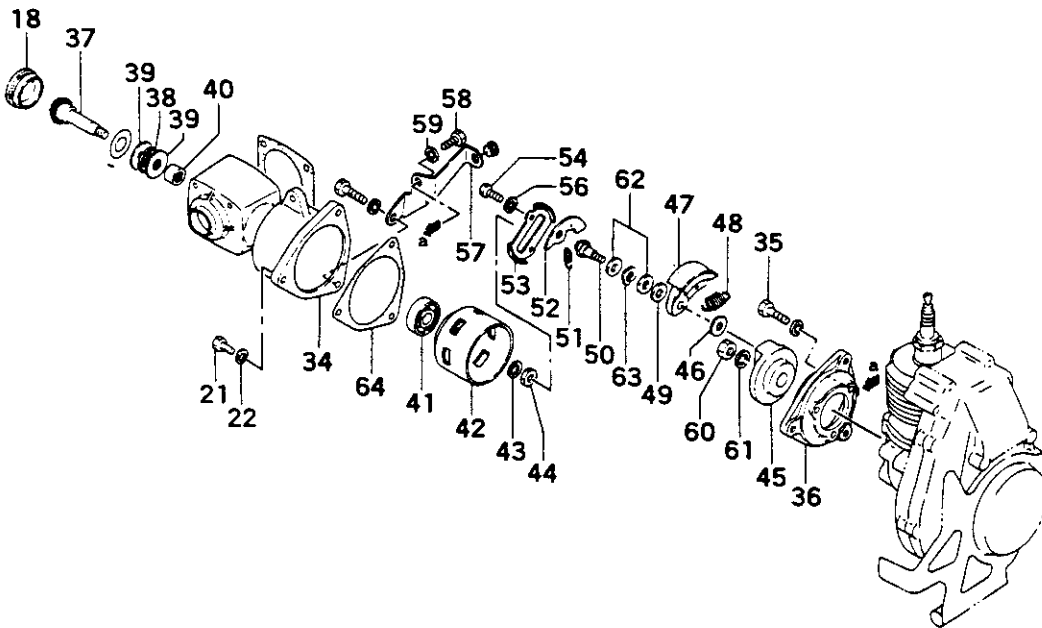
REFERENCE NUMBER	PRODUCTION PART NUMBER	PART NAME	QUANTITY	SERIAL NUMBER	SPARE PART NUMBER
FIG.3 BRACKET, TANK & PUMP					
3-057	992-10040-012	S.WASHER 4	3		992 1007 2
3-058	991-01040-011	HEX. NUT 4	3		991 0011 9
3-059	999-67004-000	O-RING P4	1		999 6702 2
3-060, 1	593-00539-900	PUMP ASS'Y	1		593 0050 8
3-060	671-04001-213	PUMP GASKET	1		671 0001 3
3-061	670-04001-211	PUMP DIAPHRAGM	1		670 0011 3
3-062	674-04001-211	FREE VALVE	1		674 0001 4
3-063	667-00539-801	PUMP SUCTION SIDE COMP.	1		667 0020 7
3-064	405-36152-200	AIR VENT PIPE	1		405 0080 5
3-065	669-00539-200	FUEL PIPE JOINT	1	-A099000	669 0010 4
3-066	700-03005-045	FUEL PIPE 3X5X45	1	-A099000	700 0490 2
3-067	203-10302-201	PRIMARY CORD GROMMET	1	-A099000	203 0130 7

FIG.4 GEAR CASE

FOR GBM-23N



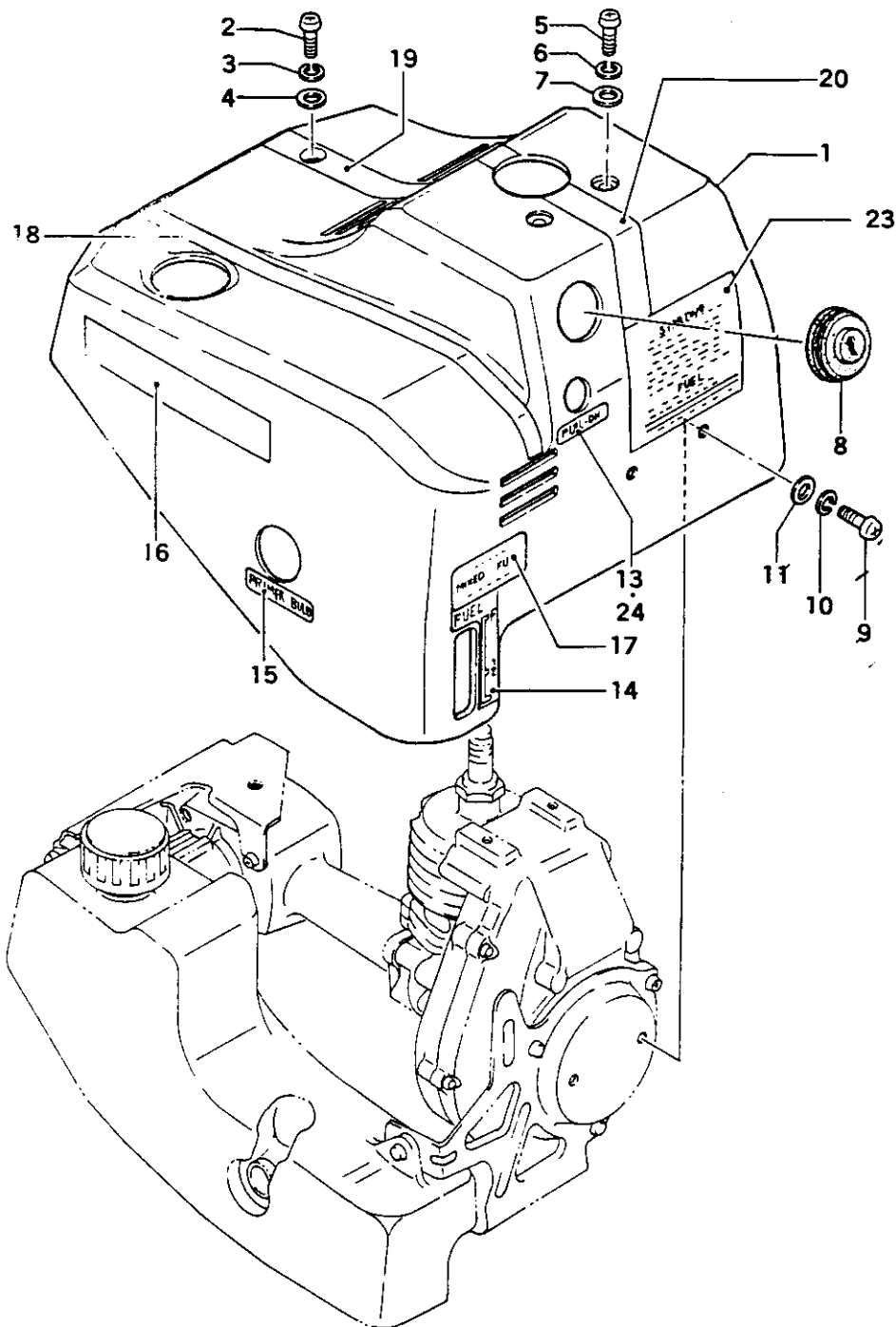
FOR GBM-23NA



REFERENCE NUMBER	PRODUCTION PART NUMBER	PART NAME	QUANTITY	SERIAL NUMBER	SPARE PART NUMBER
FIG.4 GEAR CASE					
4-002	049-36100-200	GEAR CASE COVER GASKET	1	049 0080	1
4-003	999-61620-100	BALL BEARING #6201	1	999 6133	4
4-004	015-35500-200	PROPELLER SHAFT SHIM 0.1	V	015 0230	5
4-004	016-35500-200	PROPELLER SHAFT SHIM 0.2	V	016 0910	9
4-004	022-35500-200	PROPELLER SHAFT SHIM 0.3	V	022 0180	9
4-005	005-36100-204	GEAR SHAFT	1	005 0110	5
4-006	068-00300-200	WOOD-RUFF KEY 3X10X3.7	1	068 0010	1
4-007	017-36120-201	GEAR	1	017 0431	4
4-008	993-24050-240	SPRING PIN 5X24	1	993 2017	5
4-009	015-35500-200	PROPELLER SHAFT SHIM 0.1	V	015 0230	5
4-009	016-35500-200	PROPELLER SHAFT SHIM 0.2	V	016 0910	9
4-009	022-35500-200	PROPELLER SHAFT SHIM 0.3	V	022 0180	9
4-010	999-61600-100	BALL BEARING #6001	1	999 6108	8
4-011	045-36100-201	GEAR CASE COVER	1	045 0061	8
4-012	992-10050-012	S.WASHER 5	1	992 1012	4
4-013	990-11050-161	SCREW 5X16	1	990 1070	4
4-014	999-66122-266	OIL SEAL 12227	1	999 6613	5
4-015	231-36100-800	ROLLER COMP.	1	231 0140	9
4-016	992-12080-012	S.WASHER 8	1	992 1044	3
4-017	991-85080-321	LONG NUT 8X32/L.H.THREAD	1	991 8012	0
4-018	046-36100-200	GEAR CASE GROMMET	1	046 0960	3
4-019	992-10050-012	S.WASHER 5	3	992 1012	4
4-020	990-11050-141	SCREW 5X14	3	990 1068	9
4-021	990-21060-161	HEX. BOLT 6X16	3	990 2037	8
4-022	992-10060-012	S.WASHER 6	3	992 1019	7
4-023	303-00200-200	GEAR CASE GASKET A	1	303 0000	4
4-024	060-36100-220	PINION	1	060 0392	8
4-025	064-35500-200	DRIVE SHAFT SHIM 0.10	V	064 0100	9
4-026,1	999-62102-463	THRUST BEARING 1024	1	999 6216	0
4-026,2	999-62102-464	THRUST WASHER 1024	2	999 6217	9
4-027	999-62101-010	NEEDLE BEARING TLA 1010	2	999 6209	0
4-028	079-36100-802	ADAPTER COMP.	1	079 0090	7
4-029	420-36150-800	TANK BRACKET	1	420 0150	8
4-030	992-10050-012	S.WASHER 5	2	992 1012	4
4-031	990-11050-121	SCREW 5X12	2	990 1065	2
4-032	390-36150-200	COVER STAY	1	390 0280	2
4-033	599-00601-200	CUSHION RUBBER	1	599 0000	5
FOR QBM-23NA					
4-034	131-36120-200	GEAR CASE	1	131 0130	1
4-035	990-23060-151	BOLT 6X15 W/PLUS	3	990 2131	7
4-036	132-36120-200	GEAR CASE FIXING BASE	1	132 0420	0
4-037	060-36120-200	PINION	1	060 0400	0
4-038	999-62102-463	THRUST BEARING 1024	1	999 6216	0
4-039	999-62102-464	THRUST WASHER 1024	2	999 6217	9
4-040	999-62101-010	NEEDLE BEARING TLA 1010	1	999 6209	0
4-041	999-61620-003	BALL BEARING #6200D	1	999 6132	5
4-042	288-36120-801	CLUTCH HOUSING COMP.	1	288 0121	8
4-043	065-00000-200	FLYWHEEL WASHER	1	065 0000	3
4-044	370-36120-201	CLUTCH HOUSING NUT	1	370 0090	7
4-045	347-36120-810	CLUTCH FLANGE COMP.	1	347 0162	7
4-046	359-02103-200	CLUTCH WASHER B	2	359 0010	8
4-047	290-00501-802	CLUTCH SHOE COMP.	1	290 0010	6
4-048	342-00501-204	CLUTCH SPRING	1	342 0000	9

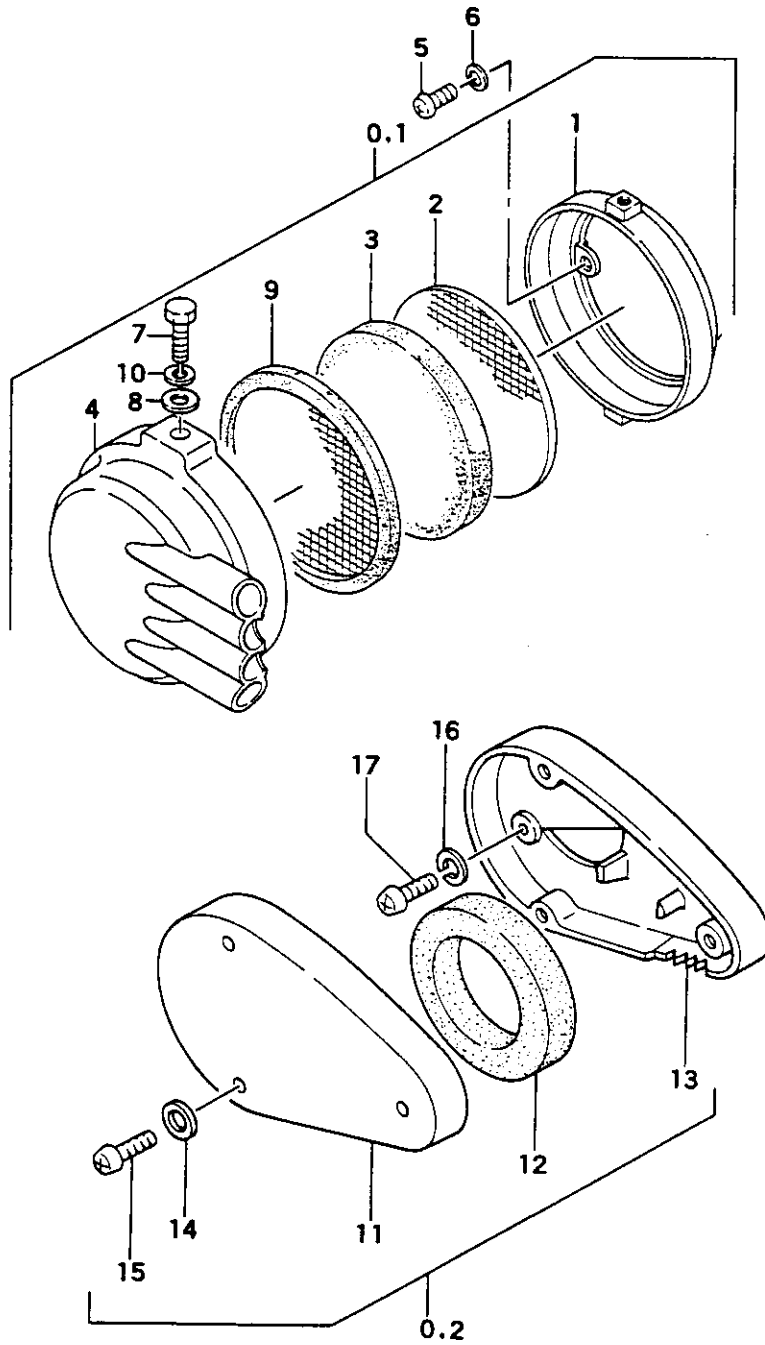
REFERENCE NUMBER	PRODUCTION PART NUMBER	PART NAME	QUANTITY	SERIAL NUMBER	SPARE PART NUMBER
FIG.4 GEAR CASE					
4-049	358-36120-200	CLUTCH WASHER A	2	-0166055	358 0070 3
4-050	357-36120-210	CLUTCH STEP BOLT	4	-0166055	357 0081 2
4-050	357-36120-230	CLUTCH STEP BOLT	2	0166056-	357 0083 0
4-051	790-36120-201	STARTER PAWL SPRING	1		790 0170 6
4-052	788-36120-201	STARTER PAWL	2		788 0190 3
4-053	789-36120-200	STARTER PAWL STOPPER	1		789 0040 2
4-054	990-21040-081	BOLT 4X8	2	-0166055	990 2195 5
4-054	990-51040-103	HEX. HOLE BOLT 4X10	2	0166056-	990 5000 1
4-056	992-10040-012	S.WASHER 4	4		992 1007 2
4-057	390-36120-200	COVER STAY	1		390 0270 5
4-058	990-23050-101	BOLT W/PLUS 5X10	1		990 2116 8
4-059	992-10050-012	S.WASHER 5	1		992 1012 4
4-060	350-36120-200	CLUTCH FLANGE NUT	1		350 0230 5
4-061	992-10070-012	S.WASHER 7	1		992 1024 9
4-062	358-02103-200	CLUTCH WASHER A	4		358 0010 1
4-063	992-04100-030	WAVE WASHER 10	2	-0166055	992 0064 8
4-063	992-05080-030	BEND WASHER 8	2	0166056-	992 0067 5
4-064	133-36120-200	GEAR CASE GASKET	1		133 0260 9

FIG.5 ENGINE SHROUD & MARK



REFERENCE NUMBER	PRODUCTION PART NUMBER	PART NAME	QUANTITY	SERIAL NUMBER	SPARE PART NUMBER
FIG.5 ENGINE SHROUD & MARK					
5-001	380-36150-201	ENGINE SHROUD	1		380 0121 3
5-002	990-11050-141	SCREW 5X14	1		990 1068 9
5-003	992-10050-012	S.WASHER 5	1		992 1012 4
5-004	992-01050-011	WASHER 5	1		992 0035 6
5-005	990-11050-141	SCREW 5X14	2		990 1068 9
5-006	992-10050-012	S.WASHER 5	2		992 1012 4
5-007	992-01050-011	WASHER 5	2		992 0035 6
5-008	202-00575-200	SECONDARY CORD GROMMET	1		202 0011 2
5-009	990-11050-141	SCREW 5X14	2		990 1068 9
5-010	992-10050-012	S.WASHER 5	2		992 1012 4
5-011	992-01050-011	WASHER 5	2		992 0035 6
5-012	580-36152-200	CAUTION MARK	1		580 0160 4
5-013	908-36150-200	CHORK MARK	1		908 0130 9
5-014	923-36150-200	FUEL LEVEL MARK	1		923 0030 7
5-015	927-36150-200	PRIMER MARK	1		927 0020 8
5-016	920-36152-200	SIDE MARK	2		920 0190 1
5-017	909-11108-201	TANK MARK	1		909 0060 4
5-018	930-36152-200	SHROUD MARK A	1		930 0140 9
5-019	933-36152-200	SHROUD MARK B	1		933 0030 0
5-020	934-36152-200	SHROUD MARK C	1		934 0020 0
FOR QBM-23NA					
5-023	580-36120-200	CAUTION MARK	1	N.L.A.	580 0120 6
5-024	909-36120-201	TANK MARK	1	N.L.A.	909 0130 6

FIG.6 AIR CLEANER



REFERENCE NUMBER	PRODUCTION PART NUMBER	PART NAME	QUANTITY	SERIAL NUMBER	SPARE PART NUMBER
FIG.6 AIR CLEANER					
6-000.1	410-00823-900	AIR CLEANER ASS'Y	1	- 899299	410 0200 3
6-001	423-00823-800	AIR CLEANER BODY	1		423 0100 4
6-002	426-00700-210	CLEANER HOLDER	1		426 0031 2
6-003	446-00700-220	CLEANER ELEMENT	1		446 0022 0
6-004	424-00700-211	AIR CLEANER COVER	1		424 0101 0
6-005	990-11040-101	SCREW 4X10	2		990 1029 0
6-006	992-10040-012	S.WASHER 4	2		992 1007 2
6-007	990-21040-101	HEX.BOLT 4X10	2		990 2007 7
6-008	992-01040-011	WASHER 4	2		992 0031 0
6-009	425-00700-200	CLEANER HOLDER A	1		425 0050 0
6-010	992-10040-012	S.WASHER 4	2		992 1007 2
6-000.2	410-00539-901	AIR CLEANER ASS'Y	1	899300-	410 0131 0
6-011	424-00539-200	AIR CLEANER COVER	1		424 0080 4
6-012	445-00601-201	CLEANER ELEMENT B	1		445 0000 1
6-013	423-00539-203	AIR CLEANER BODY	1		423 0051 5
6-014	992-00040-011	SMALL WASHER 4	3		992 0008 2
6-015	990-11040-101	SCREW 4X10	3		990 1029 0
6-016	992-10040-012	S.WASHER 4	2		992 1007 2
6-017	990-11040-101	SCREW 4X10	2		990 1029 0

FIG.7 CARBURETOR

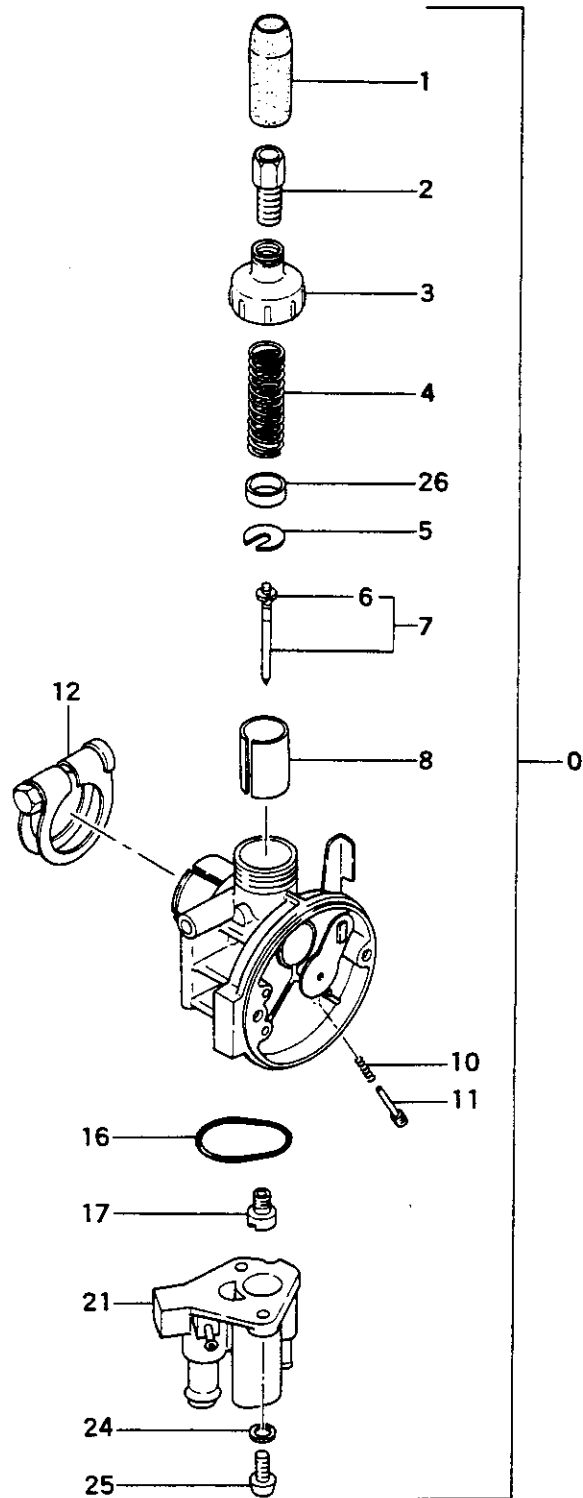
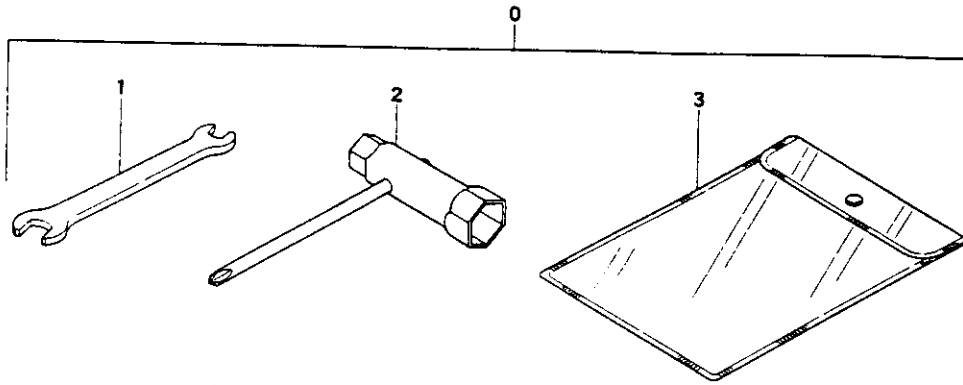
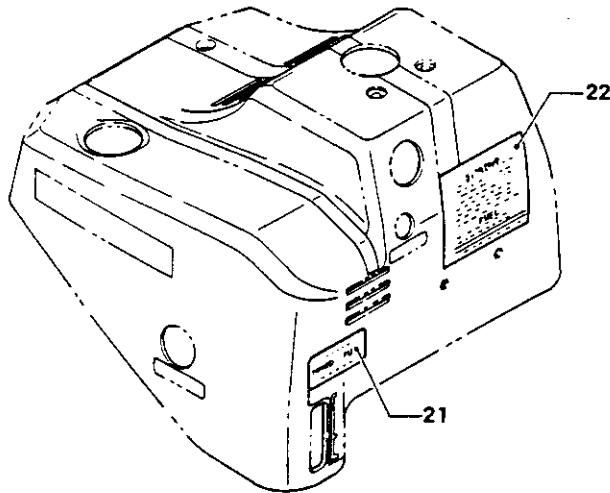


FIG.8 TOOLS



REFERENCE NUMBER	PRODUCTION PART NUMBER	PART NAME	QUANTITY	SERIAL NUMBER	SPARE PART NUMBER
FIG.8 TOOLS					
8-000	985-36150-900	TOOL KIT	1		
8-001	808-20000-200	SPANNER 10X13	1		985 3006 9
8-002	838-20000-800	COMBI BOX W/PLUS DRIVER 14X21	1		808 0010 1
8-003	948-32352-200	TOOL BAG	1		838 0040 1
					948 0020 1

FIG.5 ENGINE SHROUD & MARK
(FOR AQUABUG)



REFERENCE NUMBER	PRODUCTION PART NUMBER	PART NAME	QUANTITY	SERIAL NUMBER	SPARE PART NUMBER
FIG.5 ENGINE SHROUD & MARK					
5-021	909-36122-200	MARK FUEL TANK	1		
5-022	580-36122-200	CAUTION MARK	1		909 0150 0
					580 0140 0