

Gasoline containing up to 10% ethanol (E10) is acceptable for use in this machine. The use of any gasoline exceeding 10% ethanol (E10) will void the product warranty.

## Parts Manual

**PZ6034FX / 966614401**

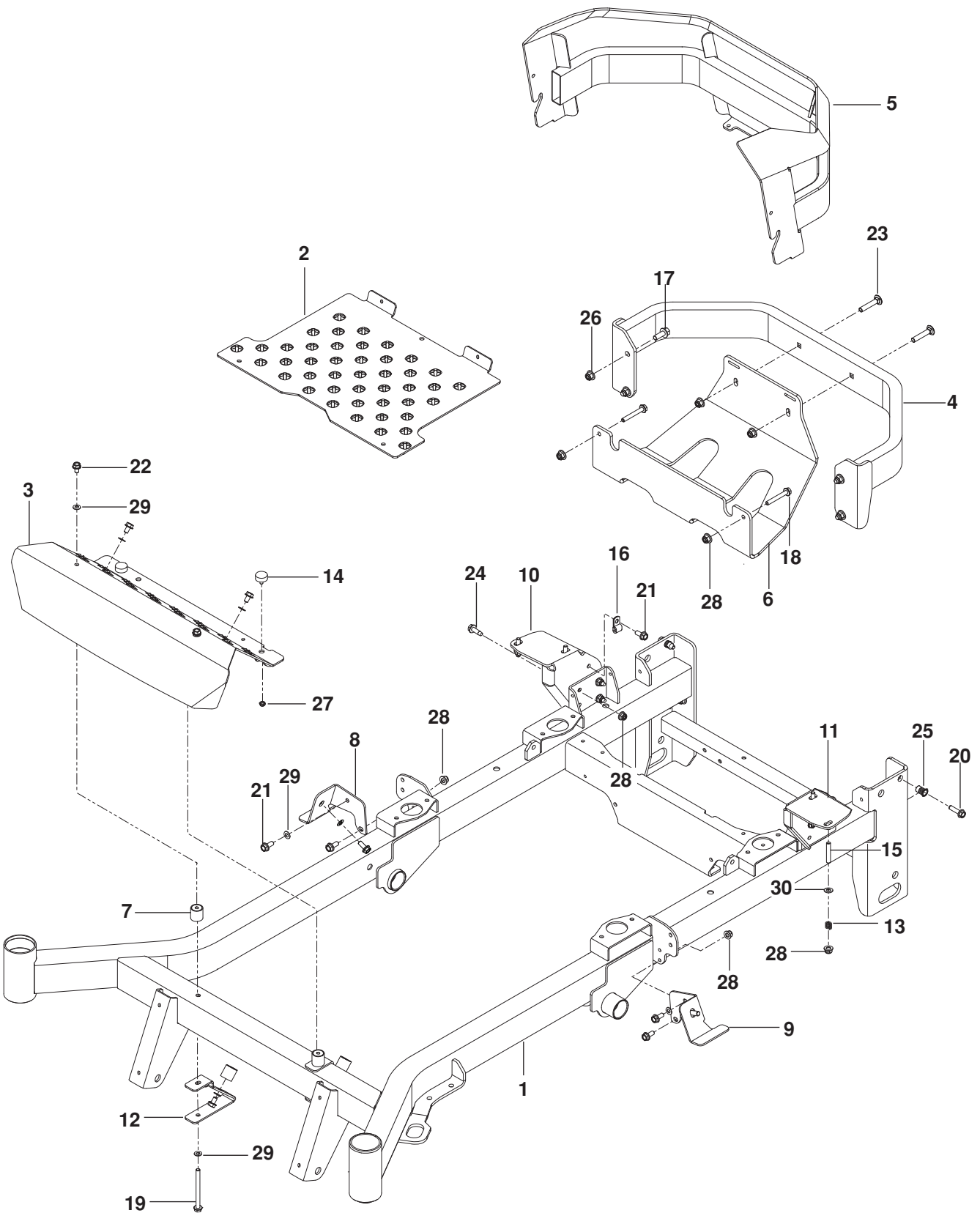
**PZ7234FX / 966614701**

**PZ34 BF / 966553901**



Please read the operator's manual carefully and make sure you understand the instructions before using the machine.

# FRAME

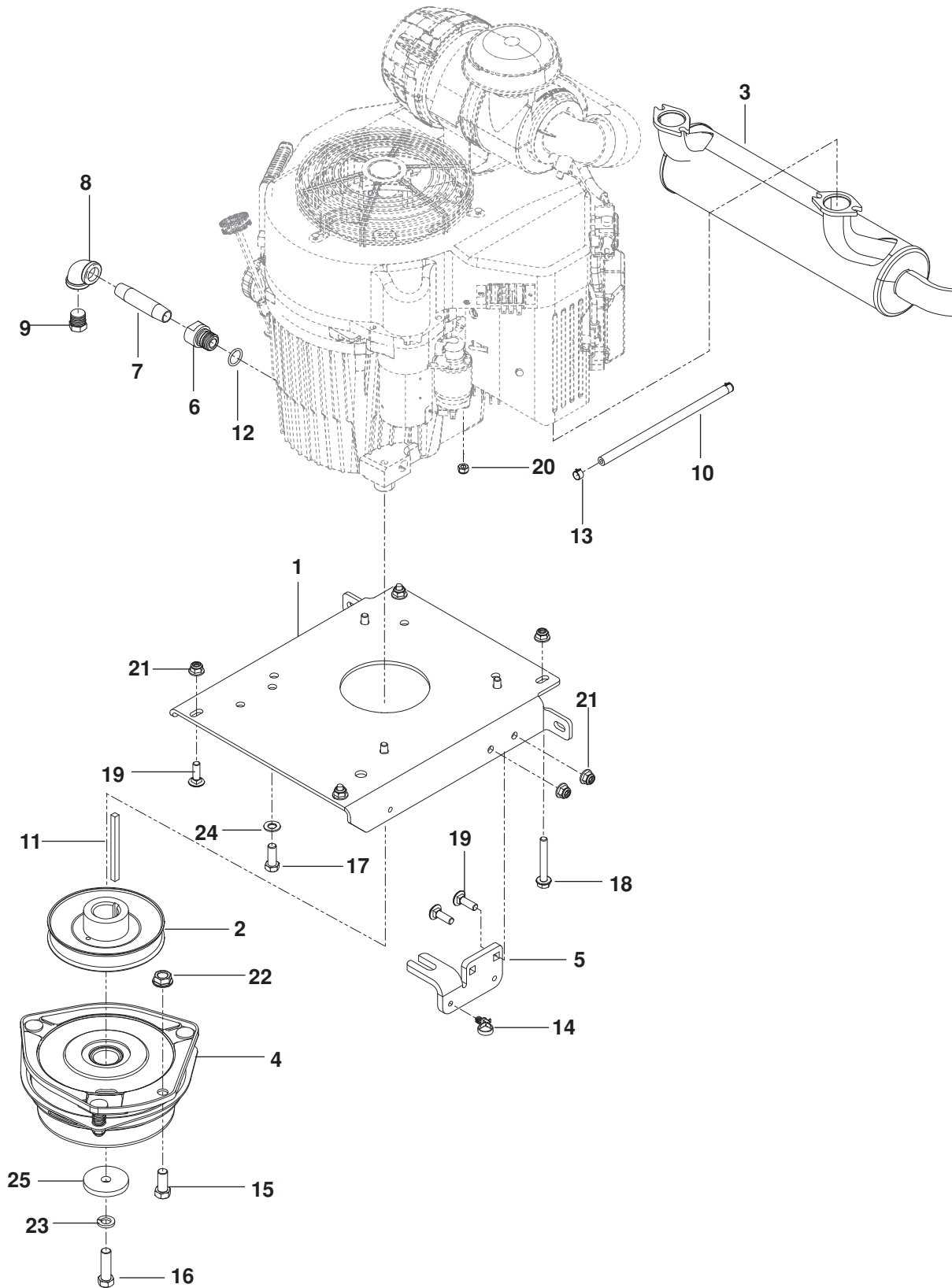


# FRAME

---

ITEM	PART NO.	QTY.	DESCRIPTION	ITEM	PART NO.	QTY.	DESCRIPTION
1..	574 482801....	1	....FRAME w/ SAFETY DECALS	16..	539 109867....	1	....CLAMP, DOUBLE TUBE
2..	574 215602....	1	....FLOORPAN	17..	525 612801....	4	....HHFS $\frac{3}{8}$ -16 x 1
3..	574 215702....	1	....FOOTREST	18..	574 233801....	2	....HHFS $\frac{5}{16}$ -18 x 2 $\frac{1}{4}$
4..	522 675702....	1	....BUMPER, REAR	19..	539 131780....	2	....HHFS $\frac{5}{16}$ -18 x 3 $\frac{3}{4}$
5..	574 221602....	1	....GUARD, REAR	20..	525 544001....	2	....HHFS $\frac{5}{16}$ -18 x 1 $\frac{1}{4}$ TPBLT
6..	574 228602....	1	....PLATE, SKID	21..	525 464701....	7	....HHFS $\frac{5}{16}$ -18 x $\frac{3}{4}$
7..	510 083201....	4	....MOUNT, F/F INSERT	22..	539 990858....	6	....HCS $\frac{5}{16}$ -18 x $\frac{1}{2}$ SLF TAP
8..	529 279603....	1	....MOUNT, TANK RT RR BLK	23..	539 100145....	2	....RHSNB $\frac{3}{8}$ -16 x 2
9..	529 279703....	1	....MOUNT, TANK LT RR BLK	24..	539 113226....	6	....BOLT $\frac{5}{16}$ -18 x 1 THD FRM
10..	529 279903....	1	....MOUNT, TANK RT FRT	25..	539 111028....	2	....NUTSERT $\frac{5}{16}$ -18
11..	529 280003....	1	....MOUNT, TANK LT FRT	26..	521 996501....	7	....NUT $\frac{3}{8}$ -16 HEX FLG NYLOC
12..	510 040301....	2	....BRACKET, REST MOUNT	27..	539 108120....	2	....NUT $\frac{1}{4}$ -20 HEX THIN NYLOC
13..	539 102845....	4	....SPRING	28..	539 112899..	14	....NUT $\frac{5}{16}$ -18 HEX FLG NYLOC
14..	575 811501....	2	....BUMPER $\frac{1}{4}$ -20 STUD $\frac{3}{8}$ "	29..	539 109600..	12	....WASHER $\frac{5}{16}$ DISC SPRING
15..	539 102502....	4	....STUD, FUEL TANK	30..	539 990188....	4	....WASHER $\frac{5}{16}$ SAE FLT

# ENGINE PLATE

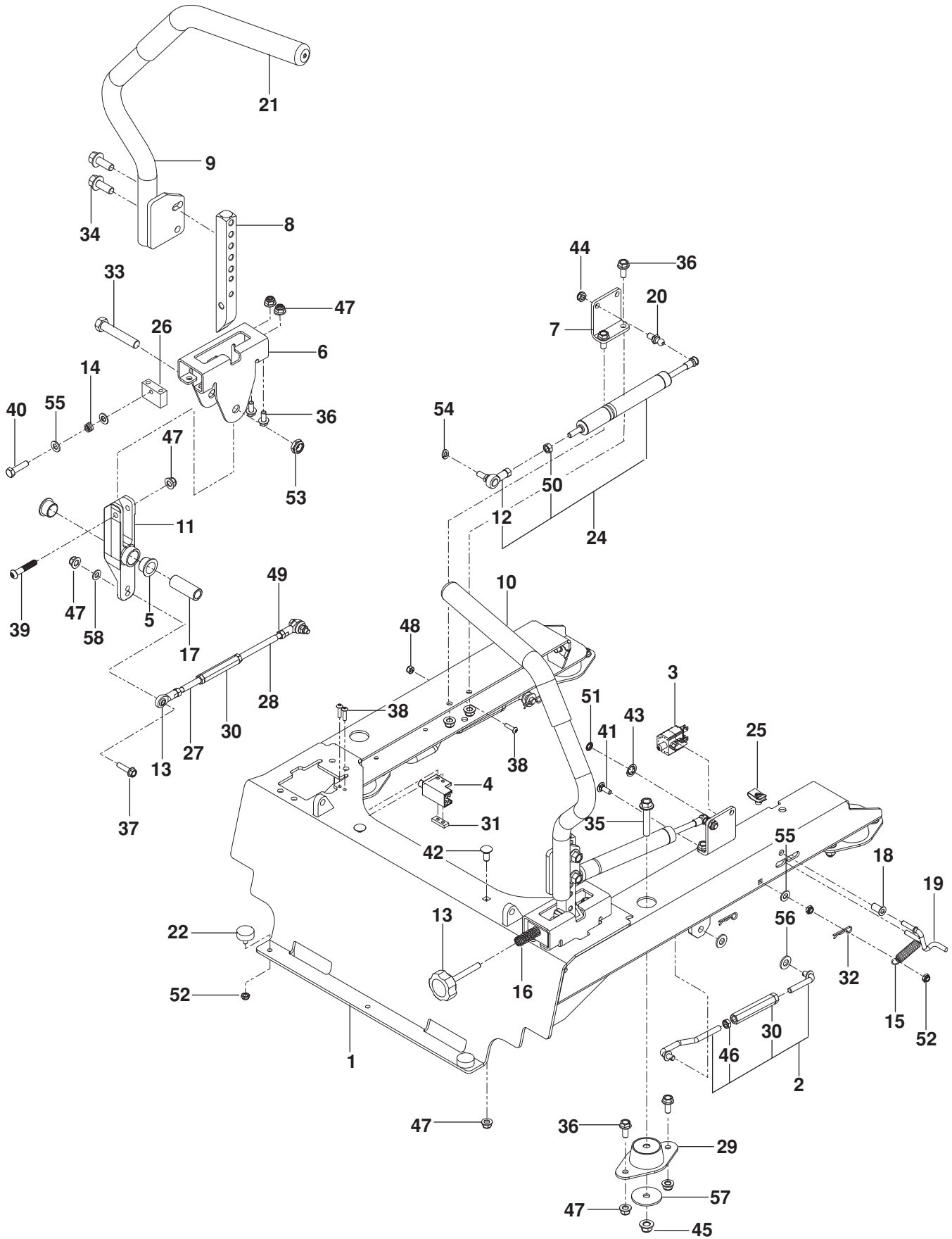


# ENGINE PLATE

---

ITEM	PART NO.	QTY.	DESCRIPTION	ITEM	PART NO.	QTY.	DESCRIPTION
1..	510 004602....	1	.... PLATE, ENGINE	15..	539 100143....	1	.... HCS 7/16-14 x 1
2..	510 019801....	1	.... PULLEY, ENGINE	16..	539 100141....	1	.... HCS 7/16-20 x 1 1/2
3..	525 750301....	1	.... MUFFLER	17..	539 990563....	4	.... HCS 3/8-16 x 1
4..	525 749501....	1	.... CLUTCH, GT 3.5	18..	574 233801....	3	.... HHFS 5/16-18 x 2 1/4
5..	522 676702....	1	.... STOP, CLUTCH	19..	539 990208....	3	.... RHSNB 5/16-18 x 1
6..	539 119680....	1	.... ADAPTOR, OIL DRAIN	20..	539 103153....	1	.... NUT M8X1.25 NYLOC
7..	539 118911....	1	.... PIPE 3/8 NPT x 3"	21..	539 112899....	8	.... NUT 5/16-18 HEX FLG NYLOC
8..	539 105072....	1	.... ELBOW 90°	22..	539 102582....	1	.... NUT 7/16-14 HEX WHIZ LK
9..	522 837001....	1	.... PLUG 3/8 NPTF DRAIN	23..	539 990247....	1	.... WASHER 7/16 SLW
10..	539 932956....	1	.... FUEL LINE 10"	24..	539 102593....	4	.... WASHER 3/8 SPRING
11..	525 749901....	1	.... KEY 1/4 SQ x 3 1/2	25..	539 125626....	1	.... WASHER, HEAVY
12..	539 109618....	1	.... O-RING	NOT SHOWN			
13..	539 912222....	2	.... CLAMP, HOSE		525 554201....	1	.... ENGINE HARNESS, KAW
14..	505 280001....	1	.... TIE WRAP w/ CLIP		574 825801....	1	.... KIT, SPARK ARRESTOR

# STEERING

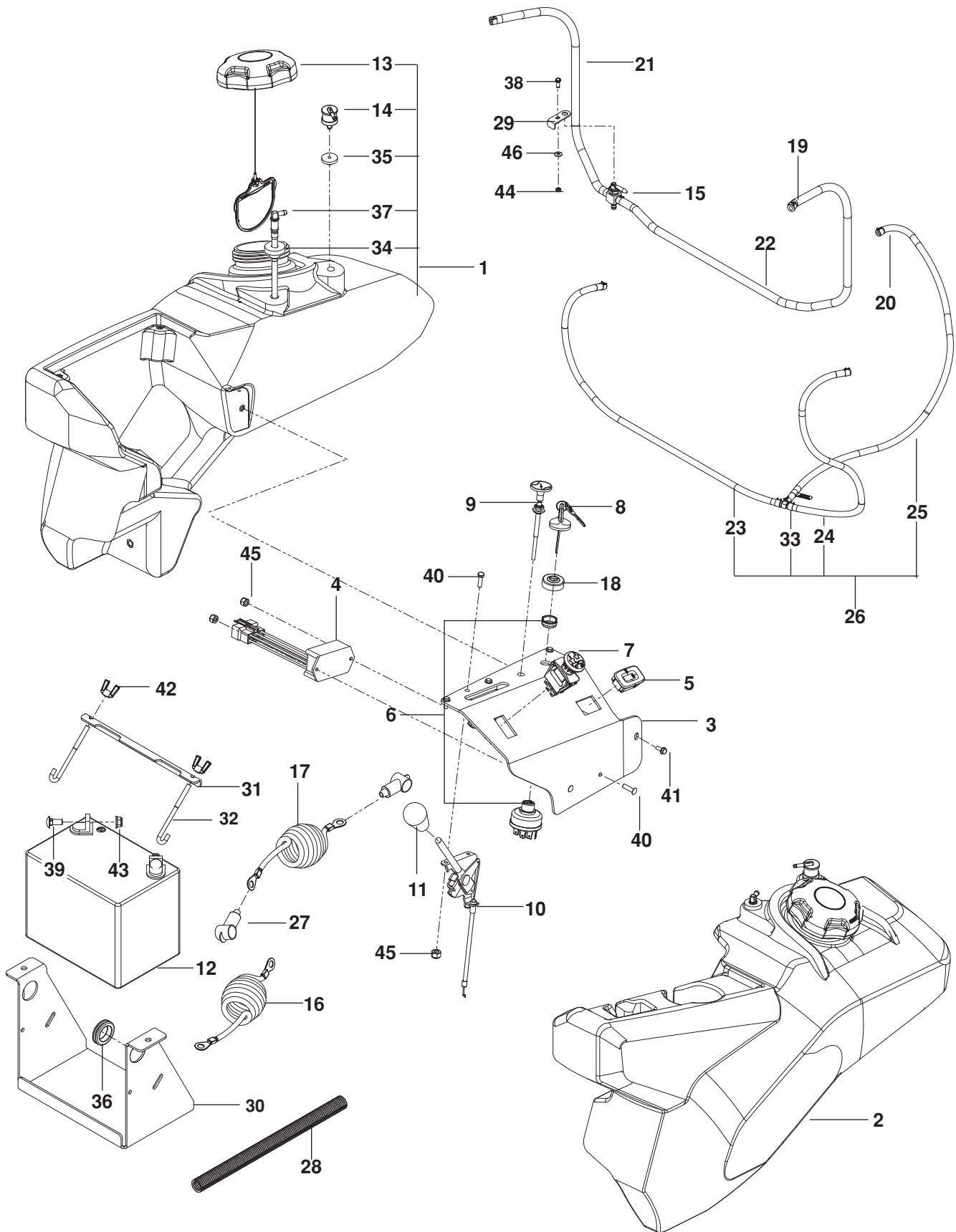


# STEERING

---

ITEM	PART NO.	QTY.	DESCRIPTION	ITEM	PART NO.	QTY.	DESCRIPTION
1..	577 327702....	1	....FRAME MOUNT ORG	31..	539 102678....	1	.... PLATE, TAPPED
2..	525 447901....	1	....SEAT STRUT ASSY	32..	539 976988....	4	.... HAIRPIN COTTER
3..	539 113792....	1	....SWITCH, BRAKE (3-POLE)	33..	539 101332....	2	.... HHFS 1/2-13 x 2 3/4
4..	539 109553....	2	....SWITCH, INTERLOCK	34..	525 612801....	4	.... HHFS 3/8-16 x 1
5..	539 131518....	4	.... BEARING, FLANGE	35..	525 866201....	4	.... HHFS 3/8-16 x 2
6..	577 251701....	2	....BRACKET, CONTROL	36..	525 464701....	20	.... HHFS 5/16-18 x 3/4 HEX FLG
7..	577 265801....	2	....BRACKET, DAMPENER	37..	525 544001....	4	.... HHFS 5/16-18 x 1 1/4 TPBLT
8..	574 269401....	2	.... LEVER, MOTION	38..	574 822701....	6	.... SCREW 10-24 x 3/4 SKT HD
9..	577 042403....	1	.... LEVER w/ GRIP RT	39..	576 850402....	2	.... SCREW 5/16-18 x 1 3/4 BTN HD
10..	577 042303....	1	.... LEVER w/ GRIP LT	40..	539 990627....	1	.... BOLT 5/16-18 x 1 1/4 HEX TPBLT
11..	576 140302....	2	.... LEVER, CONTROL	41..	539 990074....	1	.... RHSNB 1/4-20 x 3/4 GR2
12..	539 131749....	1	.... ROD END, SPHERICAL	42..	539 990316....	2	.... RHSNB 5/16-18 x 3/4
13..	539 102590....	4	.... BALL END	43..	539 913847....	2	.... RETAINER NUT 3/8
14..	539 102845....	1	.... SPRING	44..	539 990717....	2	.... NUT 5/16-18 HEX NYLOC
15..	539 020035....	1	.... SPRING	45..	521 996501....	4	.... NUT 3/8-16 HEX FLG NYLOC
16..	576 850301....	1	.... SPRING	46..	539 108732....	4	.... NUT 3/8-24 HEX JAM
17..	577 252401....	2	.... SPACER, PIVOT	47..	539 112899....	12	.... NUT 5/16-18 HEX FLG NYLOC
18..	511 594901....	1	.... BUSHING 1/4 FLANGE	48..	539 976977....	2	.... NUT 10-24 HEX NYLOC
19..	511 595001....	1	.... LINK, SWITCH	49..	539 990223....	4	.... NUT 5/16-24 HEX
20..	539 110607....	2	.... BALL STUD 10MM	50..	539 127046....	1	.... NUT M8 x 1.25 HEX STD
21..	539 130894....	2	.... GRIP, LEVER	51..	539 102234....	1	.... NUT 1/4 PUSH
22..	578 811501....	2	.... BUMPER	52..	539 108120....	4	.... NUT 1/4-20 HEX THIN NYLOC
23..	539 131799....	1	.... KNOB	53..	539 108010....	2	.... NUT 1/2-13 HEX JAM NYLOC
24..	516 020301....	2	.... DAMPENER ASSY	54..	539 990187....	2	.... WASHER 5/16 SLW
25..	539 104763....	4	.... RETAINER, U TYPE	55..	539 990188....	4	.... WASHER 5/16 SAE FLAT
26..	577 251801....	2	.... BLOCK, TRACKING	56..	539 990122....	4	.... WASHER 3/8 SAE FLT
27..	522 559201....	2	.... LINKAGE. CONTROL RT	57..	539 111897....	4	.... WASHER, SPECIAL
28..	522 842801....	2	.... LINKAGE, CONTROL RR	58..	539 990692....	4	.... WASHER 5/16 STD FLT
29..	510 082101....	4	.... MOUNT, ISO	NOT SHOWN			
30..	539 109149....	4	.... TURNBUCKLE	510 093601....	1	.... HARNESS, WIRING	

# IGNITION / FUEL



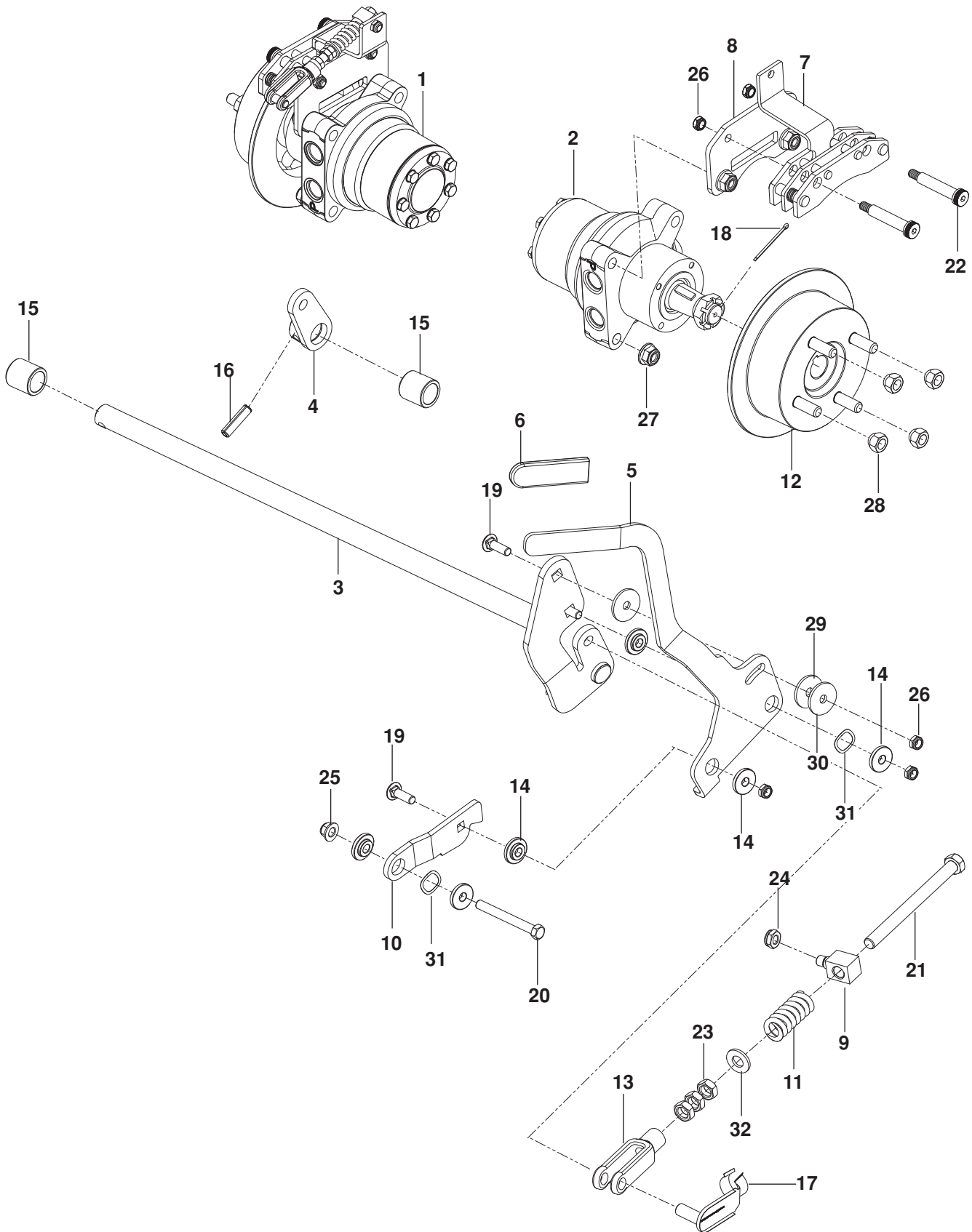


## IGNITION / FUEL

---

ITEM	PART NO.	QTY.	DESCRIPTION	ITEM	PART NO.	QTY.	DESCRIPTION
1..	576 369202....	1	TANK ASSY, RT GRY	26..	576 547701....	1	VAPOR LINE ASSY
2..	576 369102....	1	TANK ASSY, LT GRY	27..	539 102759....	2	INSULATOR
3..	529 280202....	1	PANEL, CONTROL	28..	574 235301....	1	LOOM 5/8 SPLIT
4..	574 514001....	1	TIMER, SEAT	29..	577 104002....	1	BRACKET, VALVE
5..	576 179401....	1	HOUR METER	30..	510 029902....	1	BRACKET, BATTERY BLK
6..	574 455401....	1	SWITCH, IGNITION	31..	510 030001....	1	BRACKET, BATTERY MOUNT
7..	539 131627....	1	SWITCH, PTO 10 AMP	32..	510 064001....	2	J HOOK
8..	574 455501....	1	KEY, IGNITION	33..	574 206602....	1	TEE 3/16 FUEL LINE
9..	574 206901....	1	CABLE, CHOKE	34..	539 105245....	2	GROMMET, RUBBER
10..	574 207001....	1	CABLE, THROTTLE	35..	576 618201....	2	GROMMET, CHECK VALVE
11..	539 132624....	1	KNOB	36..	539 105974....	1	GROMMET
12..	539 102436....	1	BATTERY	37..	525 865401....	2	FITTING, FUEL
13..	575 018101....	2	CAP w/ TETHER, FUEL	38..	539 990580....	1	HCS 1/4-20 x 3/4
14..	576 618101....	2	VALVE, FUEL CHECK	39..	539 990316....	2	RHSNB 5/16-18 x 3/4
15..	539 102679....	1	VALVE, FUEL	40..	574 822701....	4	SCREW 10-24 x 3/4 SKT HD
16..	522 718701....	1	CABLE, POSITIVE	41..	539 114341....	3	SCREW 10-24 x 3/8 SKT HD
17..	522 710701....	1	CABLE, NEGATIVE	42..	539 990997....	2	WINGNUT 1/4-20 NYLOC
18..	539 103178....	1	CAP, IGNITION SWITCH	43..	539 112899....	2	NUT 5/16-18 HEX FLG NYLOC
19..	539 912222....	4	CLAMP, HOSE	44..	539 108120....	1	NUT 1/4-20 HEX THIN NYLOC
20..	575 436501....	6	CLAMP, HOSE	45..	539 976977....	4	NUT 10-24 HEX NYLOC
21..	577 103901....	1	LINE 22" FUEL	46..	539 990598....	1	WASHER 1/4 FLAT
22..	577 103902....	1	LINE 38" FUEL				
23..	576 660603....	1	HOSE 3/16 21"				
24..	576 660601....	1	HOSE 3/16 39"				
25..	576 660604....	1	HOSE 3/16 30"				

# PARKING BRAKE

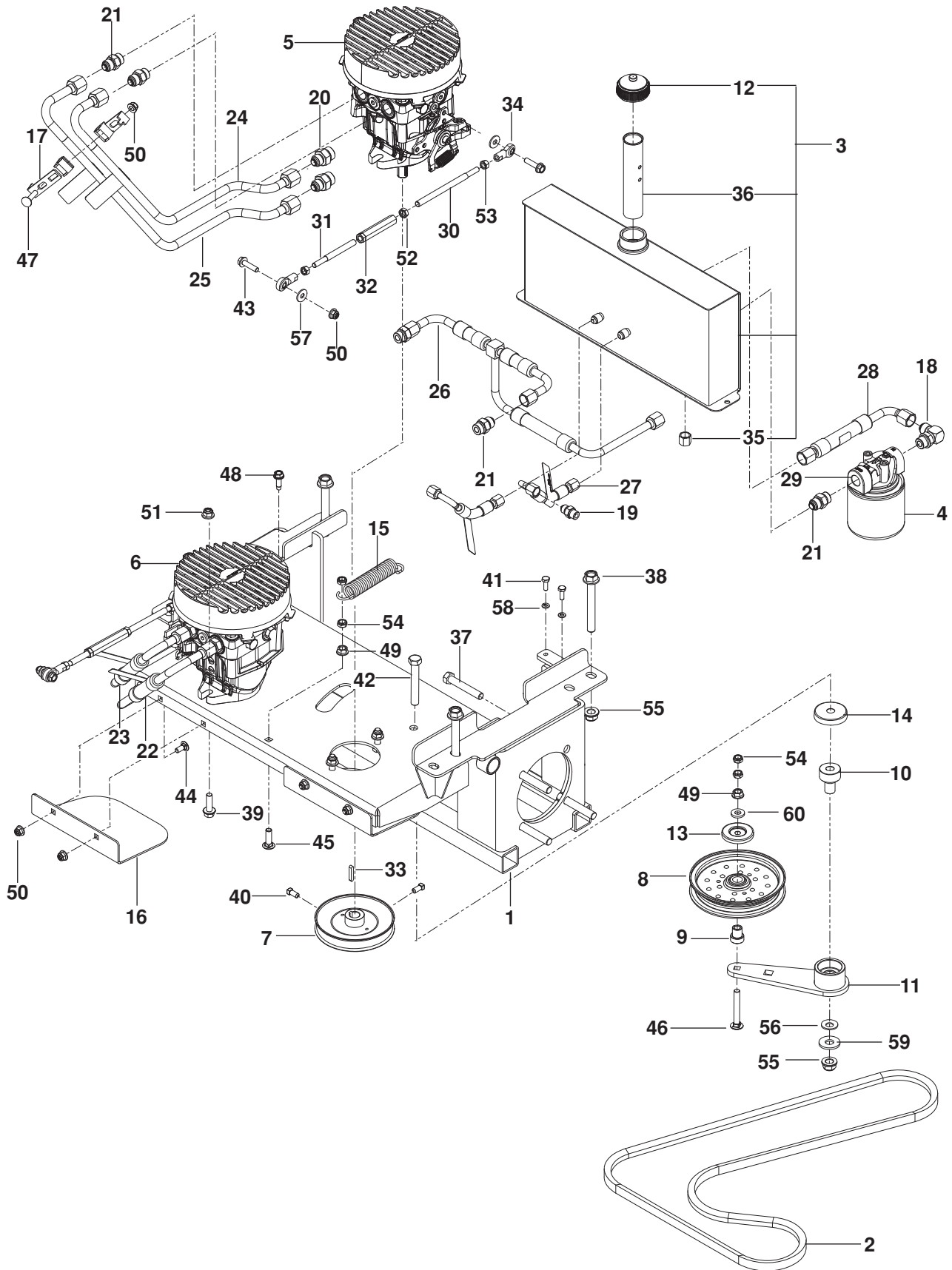


# PARKING BRAKE

---

ITEM	PART NO.	QTY.	DESCRIPTION	ITEM	PART NO.	QTY.	DESCRIPTION
1..	574 805202....	1	MOTOR, RT	17..	522 705901....	1	PIN $\frac{3}{8}$ CLEVIS SPRING
2..	574 805201....	1	MOTOR, LT	18..	539 102889....	2	COTTER PIN $\frac{1}{8}$ x 2
3..	525 851201....	1	SHAFT, BRAKE	19..	539 100413....	3	RHSNB $\frac{3}{8}$ -16 x $1\frac{1}{4}$
4..	510 025901....	1	ARM, RT BRAKE	20..	539 923463....	1	HHFS $\frac{3}{8}$ -16 x $3\frac{1}{4}$
5..	515 980002....	1	LEVER, BRAKE	21..	539 104984....	1	HHFS $\frac{3}{8}$ -24 x $4\frac{1}{2}$
6..	539 976526....	1	GRIP, LEVER	22..	516 035501....	4	BOLT $\frac{1}{2}$ x $2\frac{1}{4}$ , $\frac{3}{8}$ -16 SHLDR
7..	539 133047....	2	CALIPER	23..	539 108732....	3	NUT $\frac{3}{8}$ -24 HEX JAM
8..	525 851601....	2	PLATE, CALIPER	24..	539 115617....	1	NUT $\frac{5}{16}$ -18 HEX NYLOC INS
9..	525 851401....	1	SWIVEL, BRAKE	25..	521 996501....	1	NUT $\frac{3}{8}$ -16 HEX FLG NYLOC
10..	515 980301....	1	LINK, FOLLOWER	26..	539 200282....	9	NUT $\frac{3}{8}$ -16 HEX JAM NYLOC
11..	539 113952....	1	SPRING	27..	521 991101....	8	NUT $\frac{1}{2}$ -13 HEX FLG NYLOC
12..	525 848701....	2	HUB, DISC BRAKE w/ STUDS	28..	539 101173....	8	LUG NUT $\frac{1}{2}$
13..	539 977465....	1	YOKE	29..	525 490901....	2	WASHER, FRICTION
14..	539 132161....	6	BUSHING, BRAKE	30..	539 912063....	1	WASHER, CONE
15..	510 089201....	2	BUSHING, SLEEVE $\frac{3}{4}$ x 1	31..	539 133007....	2	WASHER, WAVE
16..	539 110631....	1	ROLL PIN $\frac{5}{16}$ " DIA.	32..	539 990122....	1	WASHER $\frac{3}{8}$ SAE FLT

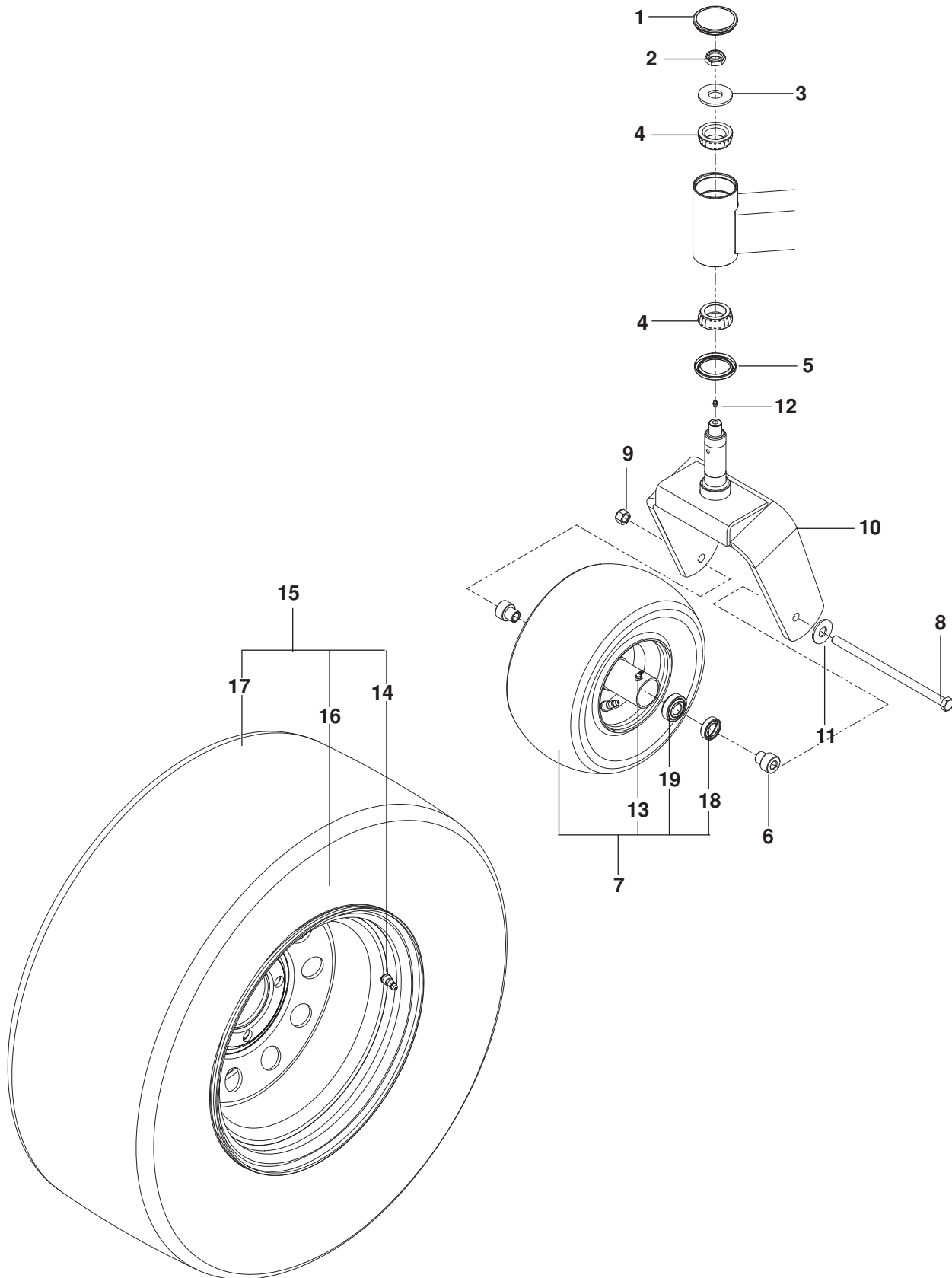
# HYDRAULIC PUMP-MOTOR



# HYDRAULIC PUMP-MOTOR

ITEM	PART NO.	QTY.	DESCRIPTION	ITEM	PART NO.	QTY.	DESCRIPTION
1..	506 007902....	1	.... FRAME, SUB	32..	539 109149....	2	.... TURNBUCKLE 3/8
2..	573 978301....	1	.... BELT	33..	539 101177....	2	.... KEY, METRIC
3..	576 035902....	1	.... OIL TANK ASSY	34..	539 102590....	4	.... BALL END, RT
4..	522 805401....	1	.... FILTER, 25 MICRON	35..	539 105168....	1	.... CAP
5..	506 120401....	1	.... PUMP, 16CC RT	36..	522 805001....	1	.... TUBE, ANTI-SPLASH
6..	506 120501....	1	.... PUMP, 16CC LT	37..	539 101332....	8	.... HHFS 1/2-13 x 2 3/4 HEX
7..	510 019002....	2	.... PULLEY, PUMP, 17MM	38..	525 544801....	4	.... HHFS 1/2-13 x 4 HEX FLG
8..	510 283702....	1	.... PULLEY, IDLER	39..	525 834201....	4	.... HHFS 3/8-16 x 1 1/4 HEX FLG
9..	525 435601....	1	.... PIVOT, IDLER	40..	539 102717....	4	.... SCREW 5/16-18 x 5/8 SET
10..	510 206301....	1	.... PIVOT, BEARING	41..	539 990072....	2	.... HCS 1/4-20 x 5/8 HEX
11..	510 041603....	1	.... ARM, IDLER, w/ BEARINGS	42..	539 103433....	1	.... HCS 1/2-13 x 3 1/4 HEX
12..	522 805301....	1	.... CAP, HYDRAULIC	43..	525 544001....	4	.... HCS 5/16-18 x 1 1/4 TPBLT
13..	510 254501....	1	.... SHIELD, DUST	44..	539 990316....	4	.... RHSNB 5/16-18 x 3/4
14..	539 114662....	1	.... SHIELD, DUST	45..	539 100413....	1	.... RHSNB 3/8-16 x 1 1/4
15..	577 437201....	1	.... SPRING, PUMP	46..	539 130235....	1	.... RHSNB 3/8-16 x 2 3/4
16..	574 398502....	2	.... SHIELD, PULLEY	47..	539 102933....	1	.... RHSNB 5/16-18 x 1 1/2
17..	576 577701....	2	.... VIBRATION ASSY	48..	539 113226....	2	.... BOLT 5/16-18 x 1 THD FRM
18..	539 101242....	1	.... ELBOW 90° ADJ	49..	539 990613....	1	.... NUT 3/8-16 HEX WHIZLK
19..	539 103316....	2	.... CONNECTOR	50..	539 112899....	5	.... NUT 5/16-18 HEX FLG NYLOC
20..	539 101239....	4	.... CONNECTOR, STRAIGHT	51..	521 996501....	4	.... NUT 3/8-16 HEX FLG NYLOC
21..	539 101237....	7	.... CONNECTOR, STRAIGHT	52..	539 108732....	2	.... NUT 3/8-24 HEX JAM
22..	510 013601....	1	.... LINE, HYDRAULIC, RT-A	53..	539 990223....	4	.... NUT 5/16-24 HEX
23..	510 013701....	1	.... LINE, HYDRAULIC, RT-B	54..	539 200282....	8	.... NUT 3/8-16 HEX JAM NYLOC
24..	510 013801....	1	.... LINE, HYDRAULIC, LT-A	55..	521 991101....	5	.... NUT 1/2-13 HEX FLG NYLOC
25..	510 013901....	1	.... LINE, HYDRAULIC, LT-B	56..	539 115528....	1	.... WASHER 1/2" BELLEVILLE
26..	510 014001....	1	.... LINE, HYDRAULIC, CHARGE	57..	539 990692....	4	.... WASHER 5/16 STD FLT
27..	510 014501....	2	.... LINE, HYDRAULIC, CASE	58..	539 990052....	2	.... WASHER 1/4 SPLTLK
28..	510 010701....	1	.... LINE, HYDRAULIC, SUCTION	59..	539 109554....	1	.... WASHER 1/2 FLT
29..	575 872301....	1	.... FILTER HEAD	60..	522 023401....	1	.... WASHER 3/8 THICK
30..	522 842801....	2	.... LINKAGE, CONTROL, RR				
31..	522 559201....	2	.... LINKAGE, CONTROL, FT				

# WHEELS / TIRES

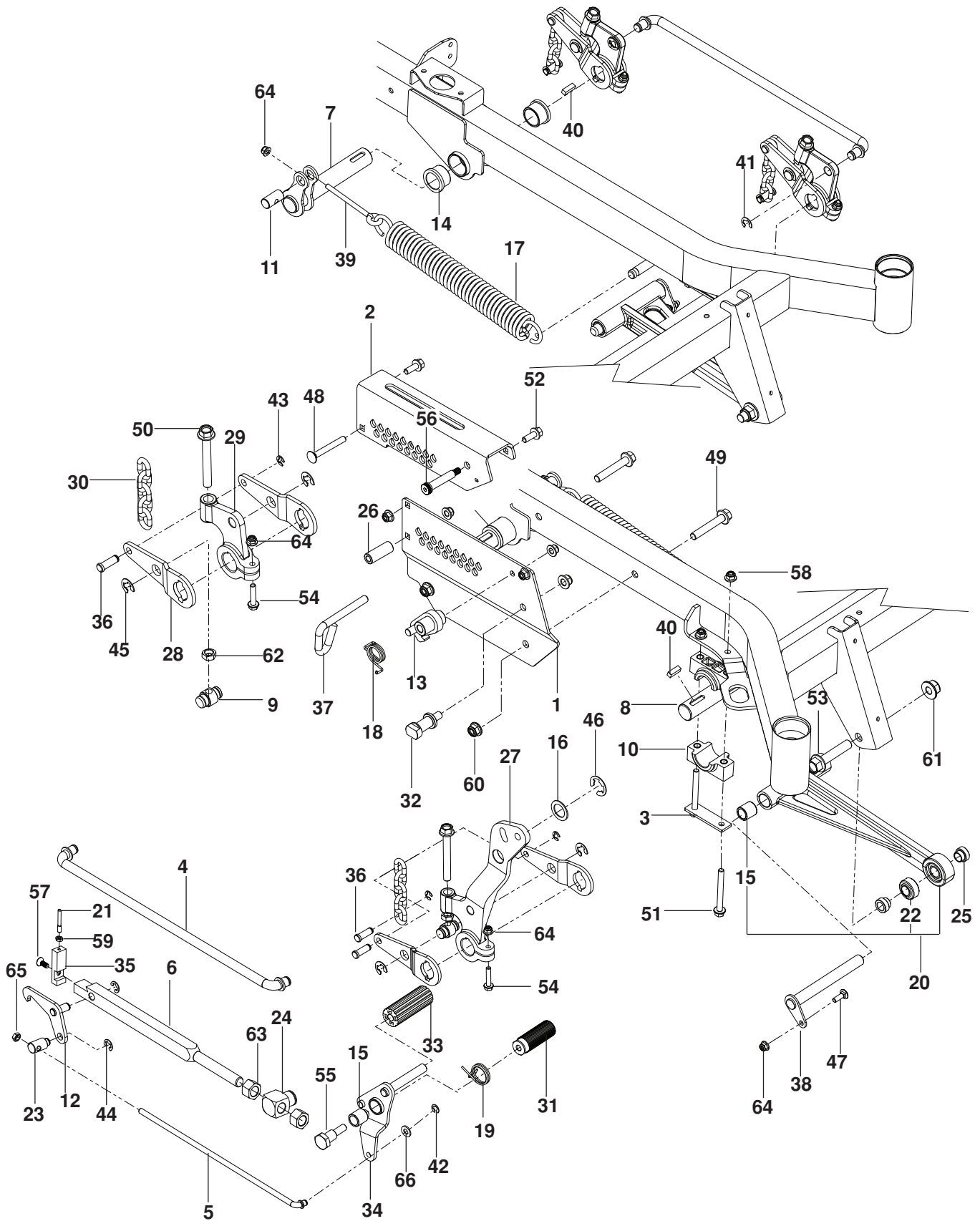


# WHEELS / TIRES

---

ITEM	PART NO.	QTY.	DESCRIPTION	ITEM	PART NO.	QTY.	DESCRIPTION
1..	510 034001....2	....	CAP, DUST	15..	510 154501....2	....	TIRE ASSY 24 x 12 966614401, 966553901
2..	522 842601....2	....	NUT 3/4-16 HEX THIN NYLOC		539 105486....2	....	TIRE ASSY 24 x 12 966614701
3..	574 824701....2	....	WASHER 3/4 HARDENED	16..	510 154502....2	....	RIM 12 x 1.125 NEG OFFSET 966614401, 966553901
4..	510 034401....4	....	BEARING, TAPERED		539 105487....2	....	RIM 12 x 2.5 NEG OFFSET 966614701
5..	510 034301....2	....	SEAL, BEARING	17..	539 105152....2	....	TIRE 24 x 12 4 PLY 966614001, 966614002,
6..	539 105518....4	....	AXLE SPACER	18..	539 105524....2	....	SEAL, CASTER TIRE
7..	510 154601....2	....	TIRE ASSY 13 x 6.5, FLT FREE	19..	539 105525....2	....	BEARING (CUP AND CONE)
8..	539 105517....2	....	BOLT 1/2-13 x 9/2 HEX NYLOC		NOT SHOWN		
9..	521 991101....2	....	NUT 1/2-13 HEX FLG NYLOC		539 105521....2	....	TIRE ASSY 13 x 6.5 PNEU (optional)
10..	525 611902....2	....	FORK, CASTER				
11..	539 990250....2	....	WASHER 1/2 SAE				
12..	539 101474....2	....	ZERK				
13..	539 103300....2	....	ZERK				
14..	539 912234....2	....	STEM, VALVE				

# MOWER LIFT / DECK LIFT



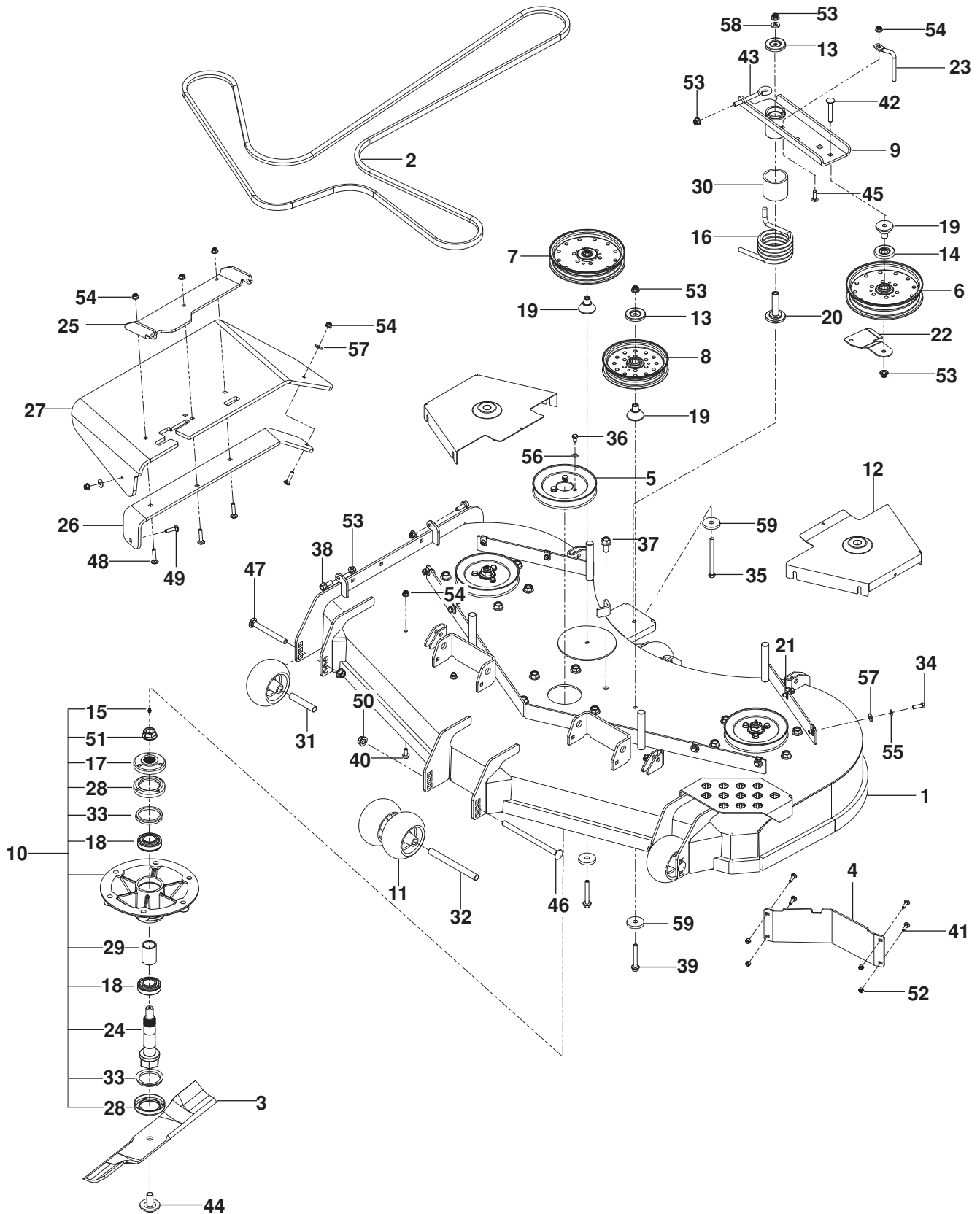


# MOWER LIFT / DECK LIFT

ITEM	PART NO.	QTY.	DESCRIPTION	ITEM	PART NO.	QTY.	DESCRIPTION
1..	510 408502....	1	.... PLATE, INNER HEIGHT ORG	34..	510 407801....	1	.... PEDAL, RELEASE
2..	510 408602....	1	.... PLATE, OUTER HEIGHT ORG	35..	510 406501....	1	.... CAP, HEIGHT BAR
3..	525 822201....	2	.... PLATE, PILLOW BLOCK	36..	510 090101....	8	.... PIN <sup>7</sup> / <sub>16</sub> CLEVIS
4..	510 089801....	2	.... ROD, LIFT	37..	510 016501....	1	.... PIN, HEIGHT
5..	510 407601....	1	.... ROD, HEIGHT LATCH	38..	515 988201....	2	.... PIN, STRUT
6..	510 406301....	1	.... BAR, HEIGHT	39..	539 120993....	2	.... EYEBOLT 4 <sup>1</sup> / <sub>2</sub>
7..	510 410703....	2	.... SHAFT, LIFT RR	40..	525 822501....	4	.... KEY <sup>5</sup> / <sub>16</sub> SQ x 1
8..	510 409602....	1	.... SHAFT, LIFT FT	41..	539 105069....	4	.... E-RING <sup>5</sup> / <sub>8</sub> "
9..	510 023601....	4	.... TRUNION, LIFT SHAFT	42..	539 990870....	1	.... E- RING <sup>3</sup> / <sub>8</sub> "
10..	510 023902....	4	.... BLOCK, PILLOW	43..	522 705201....	4	.... E-RING <sup>7</sup> / <sub>16</sub> "
11..	510 412301....	2	.... PIVOT, SPRING	44..	539 101949....	2	.... E-RING <sup>1</sup> / <sub>2</sub> "
12..	510 407201....	1	.... LATCH, HEIGHT	45..	539 102454....	3	.... E-RING <sup>3</sup> / <sub>4</sub> "
13..	510 406801....	1	.... LATCH, TRANSPORT	46..	539 912730....	1	.... E-RING 1"
14..	510 089401....	4	.... BUSHING, FLANGED	47..	539 990208....	2	.... RHSNB <sup>5</sup> / <sub>16</sub> -18 x 1
15..	510 089201....	2	.... BUSHING, SLEEVE <sup>3</sup> / <sub>4</sub> x 1	48..	539 122728....	1	.... RHSNB <sup>3</sup> / <sub>8</sub> -16 x 3 GR2
16..	539 916561....	1	.... BUSHING	49..	525 828901....	2	.... HHFS <sup>1</sup> / <sub>2</sub> -13 x 3
17..	510 029201....	2	.... SPRING, EXTENSION	50..	525 465701....	4	.... HHFS <sup>1</sup> / <sub>2</sub> -13 x 4 TPBLT
18..	510 376601....	1	.... SPRING, TORSION	51..	525 822101....	4	.... HHFS <sup>3</sup> / <sub>8</sub> -16 x 3 <sup>1</sup> / <sub>2</sub>
19..	510 376701....	1	.... SPRING, TORSION	52..	525 612801....	2	.... HHFS <sup>3</sup> / <sub>8</sub> -16 x 1
20..	510 106501....	2	.... STRUT ASSY	53..	525 829001....	2	.... HHFS <sup>5</sup> / <sub>8</sub> -11 x 3
21..	510 406601....	1	.... LINK, INDICATOR	54..	525 465401....	1	.... HHFS <sup>5</sup> / <sub>16</sub> -18 x 1 <sup>1</sup> / <sub>2</sub>
22..	510 083801....	1	.... SWIVEL <sup>3</sup> / <sub>4</sub> BALLJOINT	55..	510 408201....	1	.... BOLT, SHOULDER
23..	510 407501....	1	.... SWIVEL, HEIGHT LATCH	56..	516 035501....	1	.... BOLT <sup>1</sup> / <sub>2</sub> x 2 <sup>1</sup> / <sub>4</sub> , <sup>3</sup> / <sub>8</sub> -16 SHLDR
24..	510 406401....	1	.... SWIVEL, HEIGHT BAR	57..	522 705601....	1	.... SCREW <sup>5</sup> / <sub>16</sub> -18 x <sup>3</sup> / <sub>4</sub> HEX SCKT
25..	510 362501....	4	.... SPACER, STRUT	58..	521 996501....	4	.... NUT <sup>3</sup> / <sub>8</sub> -16 HEX FLG NYLOC
26..	510 408401....	1	.... SPACER, HEIGHT PLATE	59..	539 991112....	1	.... NUT <sup>1</sup> / <sub>4</sub> -20 JAM
27..	510 022502....	1	.... LEVER, DECK LIFT	60..	521 991101....	3	.... NUT <sup>1</sup> / <sub>2</sub> -13 HEX FLG NYLOC
28..	510 410002....	4	.... ARM, LIFT	61..	525 829101....	2	.... NUT <sup>5</sup> / <sub>8</sub> -11 FLG NYLOC
29..	510 022501....	1	.... ARM, CAST LIFT	62..	539 990625....	4	.... NUT <sup>1</sup> / <sub>2</sub> -13 HEX JAM
30..	539 102641....	4	.... LIFT CHAIN	63..	539 108677....	2	.... NUT <sup>3</sup> / <sub>4</sub> -10 HEX
31..	510 089501....	1	.... PAD, FOOT PEDAL	64..	539 112899....	8	.... NUT <sup>5</sup> / <sub>16</sub> -18 HEX FLG NYLOC
32..	510 406701....	1	.... GUIDE, HEIGHT BAR	65..	539 108732....	1	.... NUT <sup>3</sup> / <sub>8</sub> -24 HEX JAM
33..	510 408301....	1	.... PEDAL, DECK HEIGHT	66..	539 990122....	1	.... WASHER <sup>3</sup> / <sub>8</sub> SAE FLT

# MOWING DECK / CUTTING DECK

60" DECK



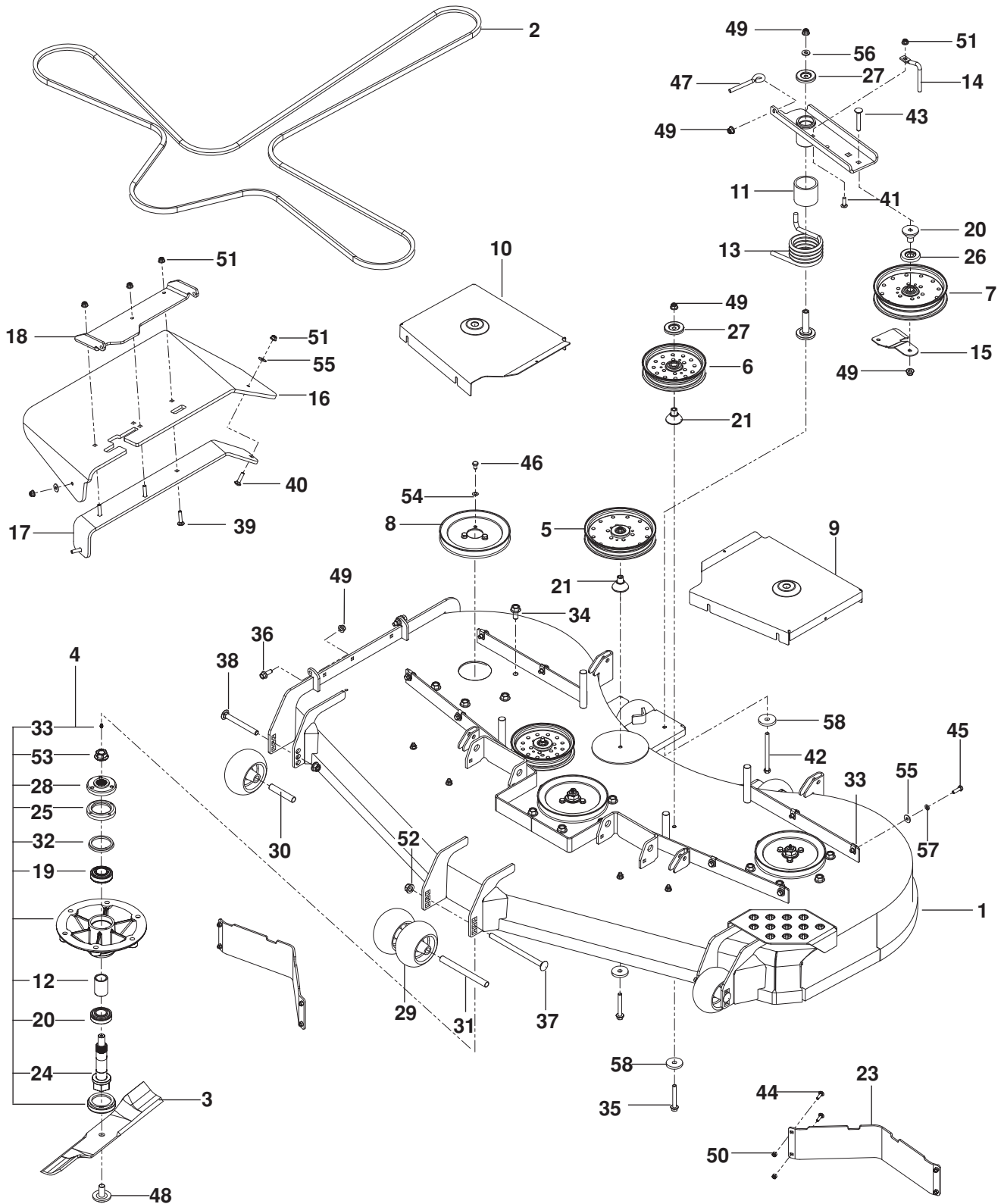
# MOWING DECK / CUTTING DECK

---

ITEM	PART NO.	QTY.	DESCRIPTION	ITEM	PART NO.	QTY.	DESCRIPTION
1..	574 497201....	1	.... DECK w/ SAFETY DECALS	33..	539 130639....	6	.... V-RING
2..	575 658403....	1	.... BELT, DECK	34..	539 990209....	8	.... HCS $\frac{5}{16}$ -18 x 1
3..	539 105711....	3	.... BLADE, 21"	35..	539 101686....	1	.... HCS $\frac{3}{8}$ -16 x 4 $\frac{1}{2}$ GR8
4..	510 437502....	1	.... BAFFLE, FLOW DIVERTER	36..	539 130315....	9	.... HCS $\frac{5}{16}$ -18 x $\frac{1}{2}$
5..	539 130646....	3	.... PULLEY	37..	574 210601..	18	.... HHFS $\frac{1}{2}$ -13 x 1
6..	510 015101....	1	.... PULLEY, IDLER 7"	38..	525 612801....	2	.... HHFS $\frac{3}{8}$ -16 x 1
7..	525 598201....	1	.... PULLEY, IDLER 7" NARROW	39..	539 131781....	2	.... HHFS $\frac{3}{8}$ -16 x 2 $\frac{3}{4}$
8..	510 019601....	1	.... PULLEY, IDLER, 6"	40..	525 464701....	3	.... HHFS $\frac{5}{16}$ -18 x $\frac{3}{4}$
9..	574 722201....	1	.... ARM, IDLER w/ BRG, SPCR	41..	539 115620....	4	.... BOLT $\frac{1}{4}$ -20 x $\frac{3}{4}$ CARRIAGE
10..	525 836401....	3	.... SPINDLE ASSY	42..	539 128101....	1	.... BOLT $\frac{3}{8}$ -16 x 2 $\frac{1}{2}$ CARRIAGE
11..	574 169601....	5	.... ROLLER, GAUGE	43..	574 202001....	1	.... EYEBOLT $\frac{3}{8}$ x 4
12..	510 131202....	2	.... SHIELD, BELT	44..	539 119007....	3	.... BLADE BOLT
13..	510 254501....	2	.... SHIELD, DUST	45..	539 107271....	1	.... RHSSNB $\frac{5}{16}$ -18 x 1
14..	510 262201....	1	.... SHIELD, DUST	46..	510 022401....	1	.... RHSNB $\frac{1}{2}$ -13 x 8
15..	539 976998....	3	.... ZERK	47..	510 022301....	3	.... RHSNB $\frac{1}{2}$ -13 x 4 $\frac{3}{4}$
16..	525 310901....	1	.... SPRING, TORSION	48..	539 102933....	3	.... RHSNB $\frac{5}{16}$ -18 x 1 $\frac{1}{2}$
17..	539 130637....	3	.... HUB, PULLEY	49..	539 100472....	2	.... RHSNB $\frac{5}{16}$ -18 x 1 $\frac{1}{4}$
18..	539 130638....	6	.... BEARING	50..	521 991101....	4	.... NUT $\frac{1}{2}$ -13 HEX FLG NYLOC
19..	510 263701....	3	.... BEARING, IDLER ARM	51..	539 130653....	3	.... NUT $\frac{3}{4}$ -16 FLG
20..	522 729701....	1	.... BEARING, IDLER PIVOT	52..	539 976978....	4	.... NUT $\frac{1}{4}$ -20 HEX NYLOC
21..	539 104763....	8	.... RETAINER, U TYPE	53..	521 996501....	4	.... NUT $\frac{3}{8}$ -16 HEX FLG NYLOC
22..	574 262102....	1	.... GUIDE, BELT	54..	539 112899....	9	.... NUT $\frac{5}{16}$ -18 HEX FLG NYLOC
23..	574 262201....	1	.... KEEPER, BELT	55..	539 990187....	8	.... WASHER $\frac{5}{16}$ SLW
24..	525 836001....	3	.... SHAFT, SPINDLE	56..	539 109600....	9	.... WASHER $\frac{5}{16}$ DISC SPRING
25..	574 197002....	1	.... BRACKET, CHUTE PIVOT	57..	539 990692..	10	.... WASHER $\frac{5}{16}$ STD FLT
26..	525 486002....	1	.... BRACKET, CHUTE SUPPORT	58..	522 023401....	1	.... WASHER $\frac{3}{8}$ THICK
27..	525 485801....	1	.... CHUTE, DISCHARGE	59..	539 106504....	3	.... WASHER, HEAVY
28..	539 130643....	6	.... CUP, DEBRIS	NOT SHOWN - OPTIONAL			
29..	539 130641....	3	.... SPACER	522 829301....	3	.... BLADE, HIGH LIFT 21"	
30..	525 465601....	1	.... SPACER, IDLER PIVOT	574 481301....	3	.... BLADE, LOW LIFT 21"	
31..	574 196401....	2	.... TUBE, ROLLER AXLE	522 936601....	3	.... BLADE, GATOR 21"	
32..	574 196501....	1	.... TUBE, ROLLER AXLE LONG	539 109755....	3	.... BLADE, WAVY REV LIFT 21"	

# MOWING DECK / CUTTING DECK

72" DECK

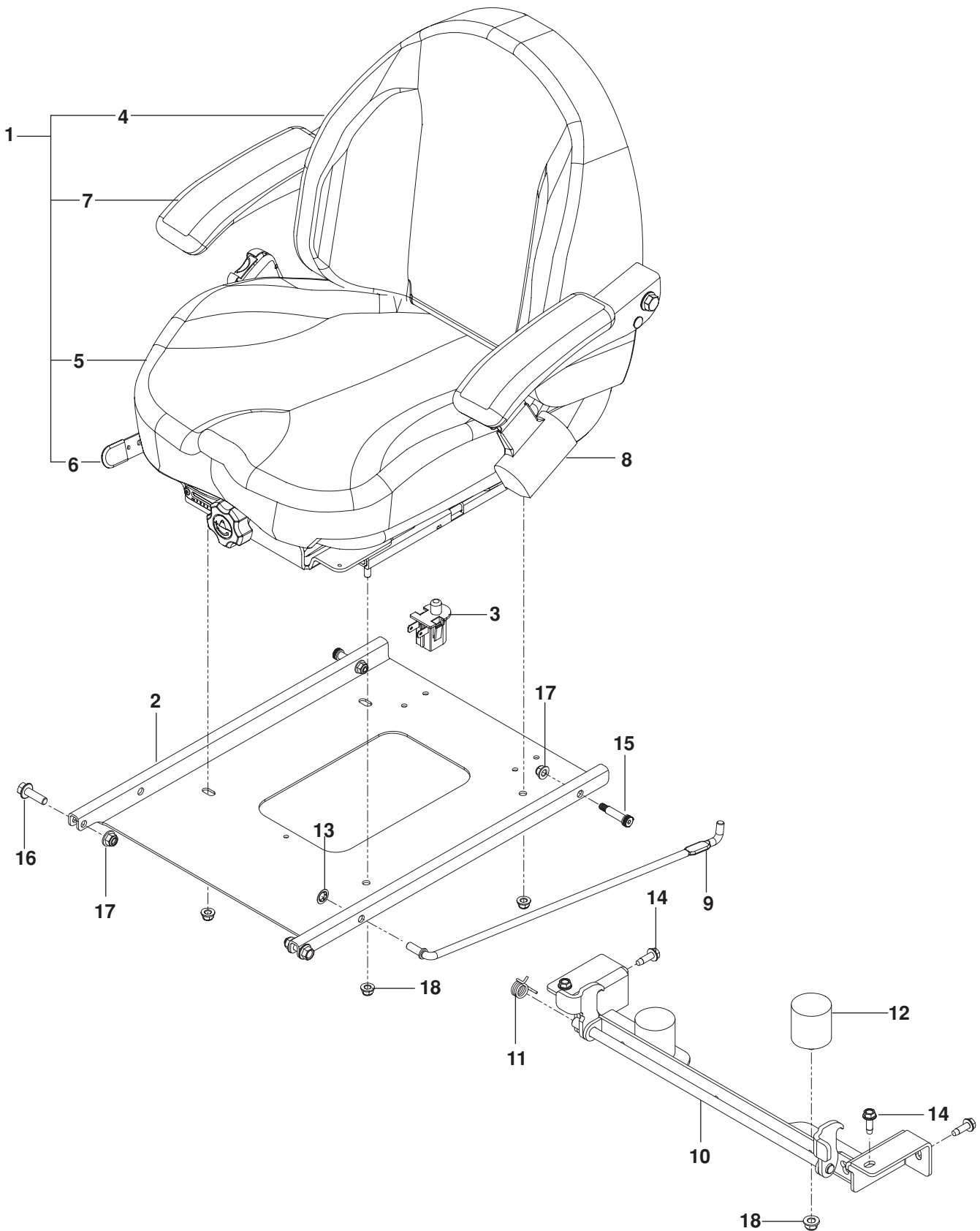


# MOWING DECK / CUTTING DECK

---

ITEM	PART NO.	QTY.	DESCRIPTION	ITEM	PART NO.	QTY.	DESCRIPTION
1..	574 497301....	1	.... DECK w/ SAFETY DECALS	34..	574 210601..	18	.... HHFS 1/2-13 x 1 HEX FLG
2..	574 286001....	1	.... BELT, DECK	35..	539 131781....	3	.... HHFS 3/8-16 x 2 3/4 HEX FLG
3..	539 105476....	3	.... BLADE, 25"	36..	525 612801....	2	.... HHFS 3/8-16 x 1 HEX FLG
4..	525 836401....	3	.... SPINDLE ASSY	37..	510 022401....	1	.... RHSNB 1/2-13 x 8
5..	525 598201....	1	.... PULLEY, IDLER 7" NARROW	38..	510 022301....	3	.... RHSNB 1/2-13 x 4 3/4
6..	510 019601....	1	.... PULLEY, IDLER 6"	39..	539 102933....	3	.... RHSNB 5/16-18 x 1 1/2
7..	510 015101....	1	.... PULLEY, IDLER 7" WIDE	40..	539 100472....	2	.... RHSNB 5/16-18 x 1 1/4
8..	539 130647....	3	.... PULLEY	41..	539 107271....	1	.... RHSSNB 5/16-18 x 1
9..	525 426302....	1	.... SHIELD, 72 RT ORG	42..	539 101686....	1	.... HCS 3/8-16 x 4 1/2 HEX GR 8
10..	525 426102....	1	.... SHIELD, 72 LT ORG	43..	539 128101....	1	.... BOLT 3/8-16 x 2 1/2 CARRIAGE
11..	525 465601....	1	.... SPACER, IDLER PIVOT	44..	539 115620....	8	.... BOLT 1/4-20 x 3/4 CARRIAGE
12..	539 130641....	3	.... SPACER	45..	539 990209....	8	.... HCS 5/16-18 x 1 HEX HD
13..	525 310901....	1	.... SPRING, TORSION	46..	539 130315....	9	.... HCS 5/16-18 x 1/2 HEX NYLOC
14..	574 262201....	1	.... KEEPER, BELT	47..	574 202001....	1	.... EYEBOLT 3/8 x 4
15..	574 262102....	1	.... GUIDE, BELT	48..	539 119007....	3	.... BOLT, BLADE
16..	525 485701....	1	.... CHUTE, DISCHARGE	49..	521 996501....	5	.... NUT 3/8-16 HEX FLG NYLOC
17..	525 485902....	1	.... SUPPORT, CHUTE BRKT BLK	50..	539 976978....	8	.... NUT 1/4-20 HEX NYLOC
18..	574 197002....	1	.... BRACKET, CHUTE PIVOT	51..	539 112899..	10	.... NUT 5/16-18 HEX FLG NYLOC
19..	539 130638....	6	.... BEARING	52..	521 991101....	5	.... NUT 1/2-13 HEX FLG NYLOC
20..	510 263701....	3	.... BEARING, IDLER ARM	53..	539 130653....	3	.... NUT 3/4-16 FLG
21..	522 729701....	1	.... BEARING, IDLER PIVOT	54..	539 109600....	9	.... WASHER 5/16 DISC SPRING
22..	574 722201....	1	.... ARM, IDLER w/ BRGS, SPACR	55..	539 990692..	10	.... WASHER 5/16 STD FLT
23..	574 221802....	2	.... BAFFLE, DIVERTER	56..	522 023401....	1	.... WASHER 3/8 THICK
24..	525 836001....	3	.... SHAFT, SPINDLE	57..	539 990187....	8	.... WASHER 5/16 SLW
25..	539 130643....	6	.... CUP, DEBRIS	58..	539 106504....	3	.... WASHER, HEAVY
26..	510 262201....	1	.... SHIELD, DUST	59..	539 104763....	8	.... RETAINER, U TYPE
27..	510 254501....	2	.... SHIELD, DUST	NOT SHOWN - OPTIONAL			
28..	539 130637....	3	.... HUB	525 341101....	3	.... BLADE, HIGH LIFT 25"	
29..	574 169601....	6	.... ROLLER, GAUGE	574 481401....	3	.... BLADE, LOW LIFT 25"	
30..	574 196401....	4	.... TUBE, ROLLER AXLE	525 544701....	3	.... BLADE, GATOR 25"	
31..	574 196501....	1	.... TUBE, ROLLER AXLE LONG	574 860902....	3	.... BLADE, WAVY REV LIFT 25"	
32..	539 130639....	6	.... V-RING				
33..	539 976998....	3	.... ZERK				

# SEAT



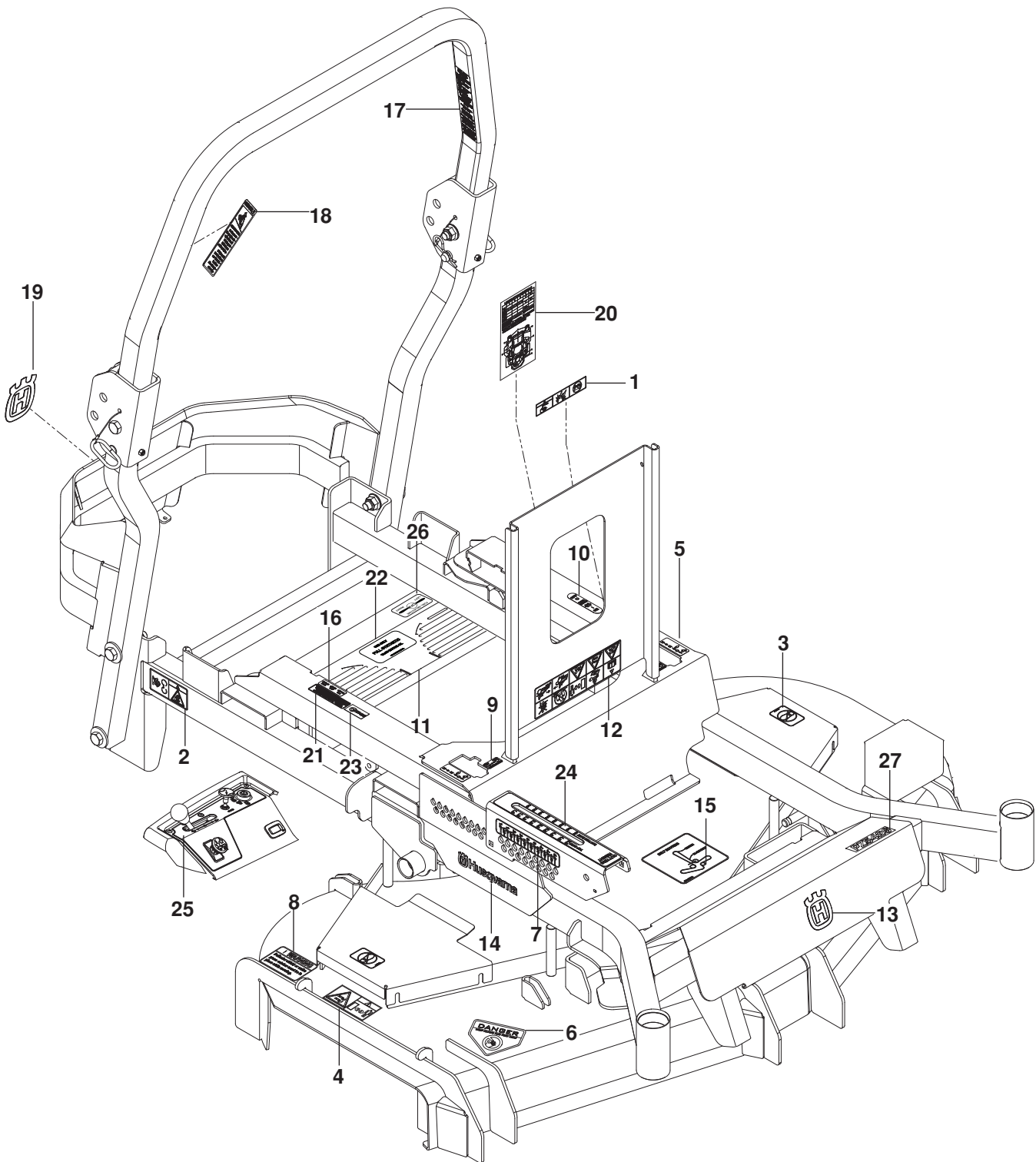
# SEAT

---

ITEM	PART NO.	QTY.	DESCRIPTION	ITEM	PART NO.	QTY.	DESCRIPTION
1..	574 284601....	1	.... SEAT ASSY	10..	574 182202....	1	.... LATCH, SEAT
2..	510 039302....	1	.... PAN, SEAT	11..	520 283101....	1	.... SPRING, TORSION
3..	539 119741....	1	.... SWITCH, SEAT	12..	510 283801....	2	.... BUMPER, RUBBER
4..	574 284602....	1	.... COVER, BACK	13..	539 913847....	2	.... RETAINER NUT $\frac{3}{8}$
5..	574 284603....	1	.... COVER KIT, CUSHION	14..	539 113226....	4	.... BOLT $\frac{5}{16}$ -18 x 1 THD FRM
6..	574 284604....	1	.... TRACK KIT	15..	515 990601....	2	.... BOLT $\frac{3}{8}$ x $1\frac{1}{4}$ $\frac{5}{16}$ -18 SHLDR
7..	574 284605....	1	.... ARMREST, LT	16..	525 834201....	2	.... HHFS $\frac{3}{8}$ -16 x $1\frac{1}{4}$
	574 284606....	1	.... ARMREST, RT	17..	521 996501....	4	.... NUT $\frac{3}{8}$ -16 HEX FLG NYLOC
8..	539 130359....	1	.... SEAT BELT	18..	539 112899....	6	.... NUT $\frac{5}{16}$ -18 HEX FLG NYLOC
9..	510 064101....	1	.... ROD, SEAT				

# DECALS

966614401, 966614701





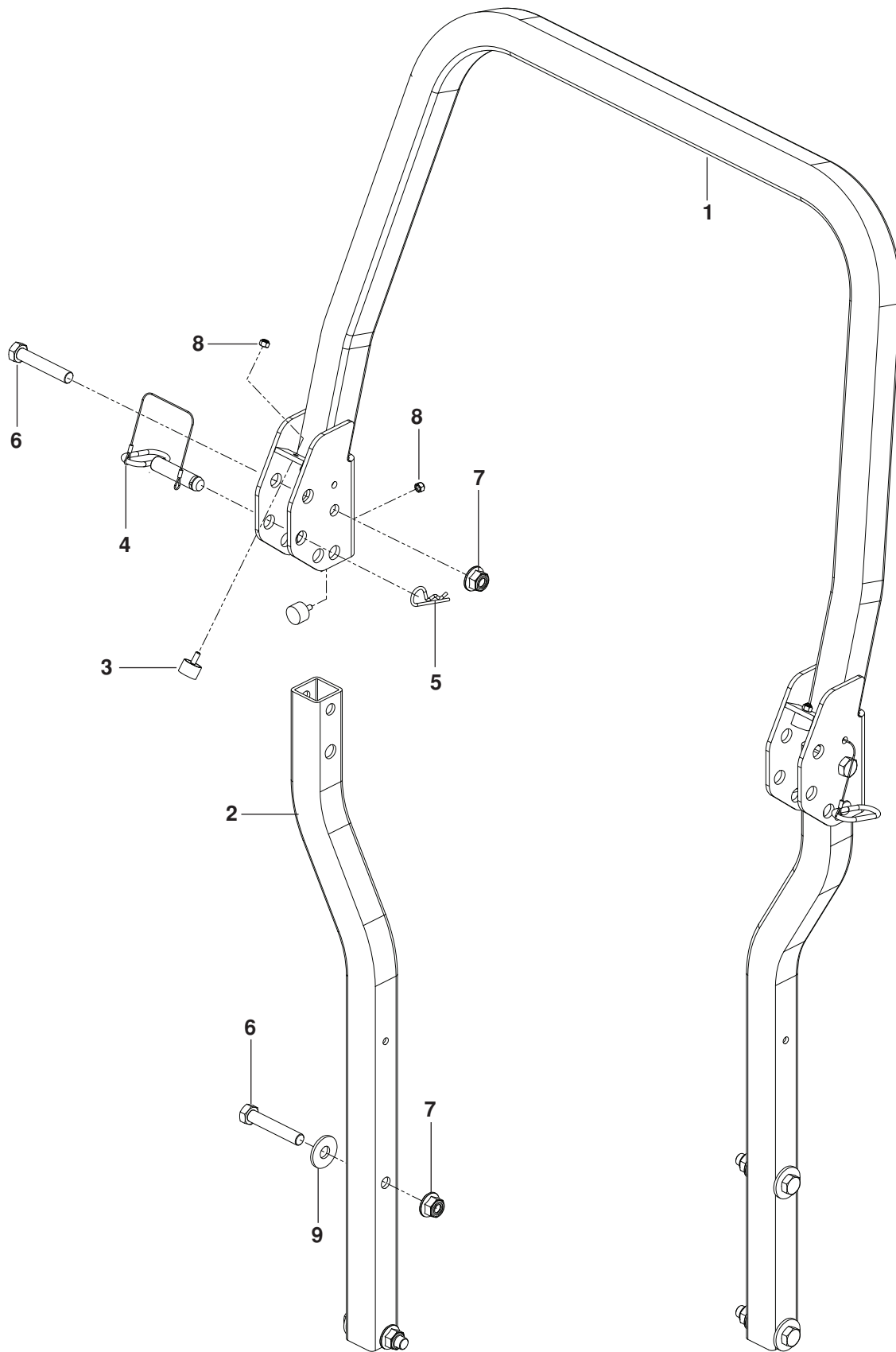
# DECALS

---

ITEM	PART NO.	QTY.	DESCRIPTION	ITEM	PART NO.	QTY.	DESCRIPTION
1..	539 105745....	1	....DECAL, BATTERY WARNING	15..	574 437301....	1	....DECAL, BELT ROUTE
2..	539 105744....	2	....DECAL, BELT DRIVE WARN	16..	574 569401....	1	....DECAL, FUSE
3..	539 105743....	2	....DECAL, NO STEP	17..	574 569006....	1	....DECAL, ROPS
4..	539 105746....	1	....DECAL, SEVERING	18..	574 569002....	1	....DECAL, ROPS WARNING
5..	539 103333....	2	....DECAL, MOTION CONTROL	19..	574 455001....	1	....EMBLEM, CROWN H LRG
6..	539 913010....	1	....DECAL, BLADE WARNING	20..	574 825901....	1	....DECAL, SERVICE
7..	525 349701....	1	....DECAL, HEIGHT	21..	532 424102....	1	....DECAL, SPARK ARRESTOR
8..	539 113224....	1	....DECAL, DEFLECTOR	22..	574 815502....	1	....DECAL, HYDRO GEAR
9..	539 110974....	2	....DECAL, TRACKING	23..	539 110279....	1	....DECAL, ECM AUSTRALIA
10..	539 120006....	1	....DECAL, PARK BRAKE	24..	516 038101....	1	....DECAL, HEIGHT
11..	539 114832....	1	....DECAL, OIL TANK	25..	510 246602....	1	....DECAL, CONTROL
12..	539 107959....	1	....DECAL, WARNING	26..	577 150101....	1	....DECAL, FUEL
13..	532 428676....	1	....EMBLEM, CROWN H SM	27..	574 569606....	1	....DECAL, PZ7234
14..	532 429196....	2	....EMBLEM, HUSQVARNA		574 569607....	1	....DECAL, PZ6034

# PROTECTION FRAME

---



# PROTECTION FRAME

---

ITEM	PART NO.	QTY.	DESCRIPTION	ITEM	PART NO.	QTY.	DESCRIPTION
1..	575 324502....	1	.... ROPS, TOP, GRAY	6..	539 115576....	6	.... HCS $\frac{5}{8}$ -18 x 3 $\frac{1}{2}$
2..	574 330902....	2	.... TUBE, SIDE GRAY	7..	525 829101....	6	.... NUT $\frac{5}{8}$ -11 FLG NYLOC
3..	522 801401....	4	.... BUMPER $\frac{1}{4}$ -20 STUD	8..	539 976978....	4	.... NUT $\frac{1}{4}$ -20 HEX NYLOC
4..	574 388001....	2	.... LATCH PIN w/ LANYARD	9..	539 102653....	4	.... WASHER $\frac{5}{8}$ STD FLT
5..	539 200715....	2	.... PIN, HAIR				