

Combi-Angle Grinder - 0 603 278 139 - PWS 5-115

www.powertools-aftersaleservice.com



BOSCH

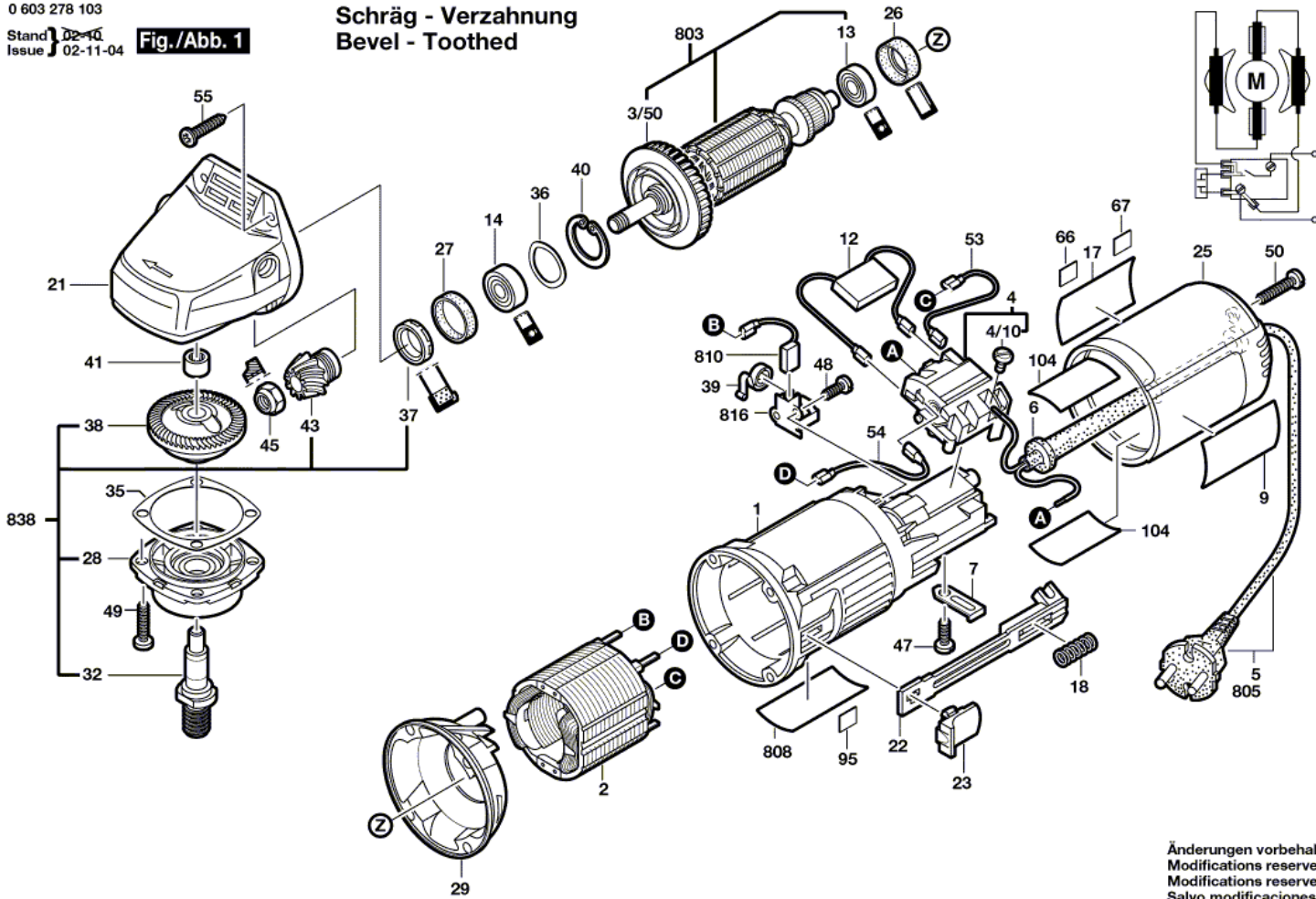
Item	Part Number	Description	Illustration	Price	Quantity	Price Group
1	1 605 108 127	Motor Housing GREEN	1	-,-	1	22
2	1 604 220 256	Field 115-120V	1	-,-	1	31
3/50	1 606 610 121	Fan	1	-,-	1	11
4	1 607 200 086	On-Off Switch	1	-,-	1	23
4/10	2 910 110 048	Pan head screw DIN 85-AM3x6-CUZN	1	-,-	2	10
5	3 604 460 049	Power supply cord	1	-,-	1	31
6	2 600 703 013	Grommet Ø7,6-Ø8,2x95 MM	1	-,-	1	13
7	1 601 302 017	Fastening Clamp	1	-,-	1	10
9	1 601 110 475	Manufacturer's nameplate	1	-,-	1	-
13	2 600 905 032	Ball Bearing 7x19x6	1	-,-	1	17
14	1 600 905 032	groove ball bearing 8x22x7	1	-,-	1	18
17	1 601 110 231	Manufacturer's nameplate DOUBLE INSULATION	1	-,-	1	-
18	1 604 611 026	Compression Spring	1	-,-	1	10
21	1 605 806 429	Gear Housing BLACK	1	-,-	1	20
22	1 602 319 002	Adjusting Slide	1	-,-	1	11
23	1 602 026 057	Switch Handle BLACK	1	-,-	1	11
25	1 600 508 005	Housing Cover GREEN	1	-,-	1	16
26	1 600 502 020	Rubber Bushing	1	-,-	1	11
27	1 600 206 025	Rubber Ring	1	-,-	1	12
28	1 605 805 061	Bearing Flange	1	-,-	1	22
29	1 601 328 005	Air-Deflector Ring	1	-,-	1	12
32	1 603 523 110	Grinding Spindle M14, SW17	1	-,-	1	20
35	1 600 136 010	Shim 0,2 MM THICK	1	-,-	1	11
35	1 600 136 011	Shim 0,3 MM THICK	1	-,-	1	11
35	1 600 136 012	Shim 0,1 MM THICK	1	-,-	1	10
36	1 600 150 011	Spring Washer	1	-,-	1	10
37	1 600 290 016	Rotary shaft lip seal	1	-,-	1	12
38	1 606 333 601	Crown Gear Z=36	1	-,-	1	22
39	1 604 652 013	Spiral Spring	1	-,-	2	11
40	2 916 660 009	Spring retaining ring DIN 472-25x1,2MM	1	-,-	1	14
41	1 600 910 018	Needle bearing Ø8xØ12x8 MM	1	-,-	1	17
43	1 606 333 242	Bevel Gear Z=11	1	-,-	1	36
45	1 603 300 016	Hex Nut M7, SW10	1	-,-	1	11

Item	Part Number	Description	Illustration	Price	Quantity	Price Group
47	2 910 211 018	Tapping Screw DIN 7971-ST3,9x13-F	1	-,-	1	10
48	2 910 211 005	Tapping Screw DIN 7971-ST2,9x9,5-F	1	-,-	4	10
49	2 912 401 420	Tapping Screw DIN7981-ST3,9x19-F-Z	1	-,-	4	10
50	2 910 211 021	Tapping Screw DIN 7971-ST3,9x22-F	1	-,-	1	10
53	1 604 448 015	Connecting Cable	1	-,-	1	10
54	1 604 448 016	Connecting Cable	1	-,-	1	10
55	2 912 401 021	Tapping Screw DIN7981-ST3,9x22-C-Z	1	-,-	4	10
66	1 601 110 449	Nameplate CAUTION	1	-,-	1	11
67	1 601 110 358	Reference Plate CAUTION	1	-,-	1	11
104	1 601 008 003	Insulating Plate	1	-,-	2	12
650/10	1 602 025 027	Auxiliary Handle M10	2	-,-	1	19
650/20	1 603 345 043	Round Nut M14	2	-,-	1	21
650/30	1 607 950 052	Pin-Type Face-Wrench	2	-,-	1	15
650/40	2 605 703 014	Clamping Flange Ø22,3xØ42 MM	2	-,-	1	20
650/40/20	1 600 210 039	O-Ring 20,35x1,78 MM	2	-,-	1	10
650/50	2 607 950 511	Single-Head Eng. Wrench SW17	2	-,-	1	16
652	2 605 510 125	Protective Cover Ø 115 MM(4 1/2")	2	-,-	1	32
652/20	2 910 022 197	Socket head cap screw DIN 84-M 6x16-8.8	2	-,-	1	10
803	1 604 010 261	Armature With Fan 115-120V	1	-,-	1	39
808	1 601 11A 3H3	Nameplate	1	-,-	1	13
810	1 607 014 128	Carbon Brush	1	-,-	1	27
816	1 600 A00 3G4	Brush Holder	1	-,-	2	13
838	1 607 000 942	Parts Set	1	-,-	1	33

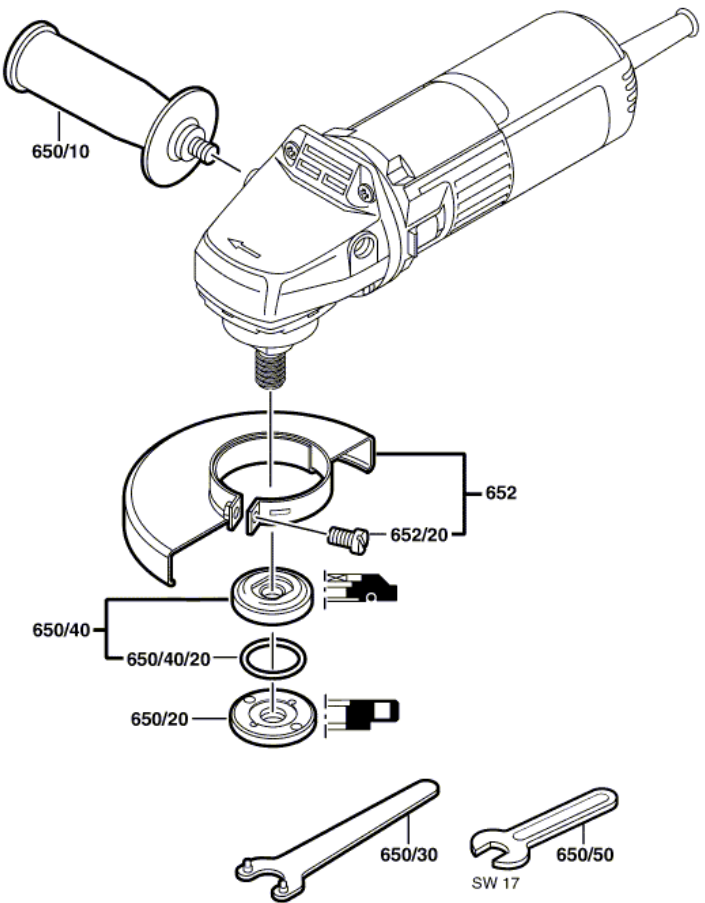
0 603 278 103
 Stand } 02-11-04
 Issue }

Fig./Abb. 1

**Schräg - Verzahnung
 Bevel - Toothed**



Änderungen vorbehalten
 Modifications reserved
 Modificaciones reserves
 Salvo modificaciones




0 603 278 103
Stand } 
Issue } 02-11-04

Abb./Fig. 2

Information subject to change without further notice.

Änderungen vorbehalten
Modifications reserved
Modificacions reservées
Salvo modificaciones