

## Combi-Angle Grinder - 0 603 276 139 - PWS 14-180

www.powertools-aftersaleservice.com



**BOSCH**

Item	Part Number	Description	Illustration	Price	Quantity	Price Group
	1 3 605 108 138	Motor Housing GREEN	1	-,-	1	32
	2 1 604 220 267	Field 127V	1	-,-	1	34
3/50	1 606 610 126	Fan	1	-,-	1	18
	4 1 607 200 080	Switch	1	-,-	1	33
	5 1 604 460 133	Power supply cord USA/CDN 2,15m 2 x 2,08mm SJ 14/2	1	-,-	1	27
	6 3 600 703 011	Grommet Ø9,2-Ø12x120 MM	1	-,-	1	13
	7 1 601 302 013	Fastening Clamp	1	-,-	1	11
	9 3 601 110 231	Manufacturer's nameplate	1	-,-	1	-
13	2 600 905 032	Deep-Groove Ball Bearing 7x19x6	1	-,-	1	17
14	3 600 905 131	Deep-Groove Ball Bearing 9x26x8	1	-,-	1	23
17	1 604 652 006	Spiral Spring	1	-,-	2	11
19	1 605 500 145	Sealing cap GREEN	1	-,-	2	-
20	2 910 211 019	Tapping Screw DIN 7971-ST3,9x16-F	1	-,-	4	10
21	3 600 421 002	Air-Deflector Ring	1	-,-	1	14
24	1 605 132 126	Handle GREEN	1	-,-	1	27
25	1 602 388 028	Storage Ledge GREEN	1	-,-	1	11
27	1 600 206 026	Intermediate Ring	1	-,-	1	11
28	1 600 502 011	Intermediate Ring	1	-,-	1	11
30	1 601 030 022	Tab Washer	1	-,-	2	11
32	3 606 333 054	Crown Gear Z=53	1	-,-	1	28
33	3 606 333 055	Bevel Gear Z=12	1	-,-	1	31
34	1 600 190 020	Shim 0,15 MM THICK	1	-,-	1	11
34	1 600 190 021	Shim 0,3 MM THICK	1	-,-	1	11
34	1 600 190 022	Shim 0,1 MM THICK	1	-,-	1	11
35	1 600 290 018	Rotary shaft lip seal	1	-,-	1	16
37	1 600 150 026	Spring Washer	1	-,-	1	13
38	1 600 119 009	Spring retaining ring	1	-,-	1	11
39	2 600 910 001	Needle bearing Ø14 MM	1	-,-	1	16
40	1 603 523 109	Grinding Spindle 5/8", SW17	1	-,-	1	34
43	1 600 290 036	Seal ring BLACK	1	-,-	1	12
45	1 600 290 019	Retaining snap ring	1	-,-	1	11
46	1 600 205 034	Felt Washer	1	-,-	1	11
47	1 600 210 033	O-Ring 79,0x1,78 MM	1	-,-	1	11

Item	Part Number	Description	Illustration	Price	Quantity	Price Group
48	1 603 435 023	Thread-forming tap. Screw TT M5x18 MM	1	-,-	4	11
49	2 912 401 038	Tapping Screw DIN 7981-4,8x38-C-Z-ST	1	-,-	4	10
50	1 603 300 017	Hex Nut	1	-,-	1	12
57	1 601 025 001	Wire Guide	1	-,-	2	11
59	2 910 211 021	Tapping Screw DIN 7971-ST3,9x22-F	1	-,-	3	10
60	2 910 021 118	Socket head cap screw DIN 84-AM4x8-8.8	1	-,-	2	10
61	2 910 211 038	Tapping Screw DIN 7971-ST4,8x38-F	1	-,-	4	11
62	3 604 438 000	Connecting Cable L=235 MM BLUE	1	-,-	2	13
63	1 604 477 001	Blade terminal	1	-,-	2	11
64	2 910 211 018	Tapping Screw DIN 7971-ST3,9x13-F	1	-,-	2	10
65	1 900 452 003	End Splice DIN 46 228-A2,5-7	1	-,-	2	11
66	3 600 707 005	Shrinkable Tube	1	-,-	4	15
80	3 601 110 232	Reference Plate	1	-,-	1	13
105	1 600 210 034	O-Ring 4,0x1,0 MM	1	-,-	1	11
651	1 605 510 342	Protective Cover Ø 230 MM	2	-,-	1	35
750/10	2 602 025 075	Auxiliary Handle M14x1,5 MM BLACK	2	-,-	1	-
766	2 607 001 190	Parts Set	2	-,-	1	-
803	3 607 031 327	Armature 100-115V	1	-,-	1	48
808	1 601 106 032	Nameplate 26x52 MM	1	-,-	1	13
810	1 607 014 106	Carbon-Brush Set	1	-,-	1	27
816	1 607 000 189	Brush Holder	1	-,-	1	19
831	3 607 000 077	Parts Set	1	-,-	1	38
840	1 607 000 206	Push-Button BLACK	N/A	-,-	1	14
841	1 607 000 986	Bearing Flange Ø180 MM	1	-,-	1	32
842	3 600 905 134	Deep-Groove Ball Bearing	N/A	-,-	1	23
844	1 600 119 010	Spring retaining ring	N/A	-,-	1	11

Illustration - Type E

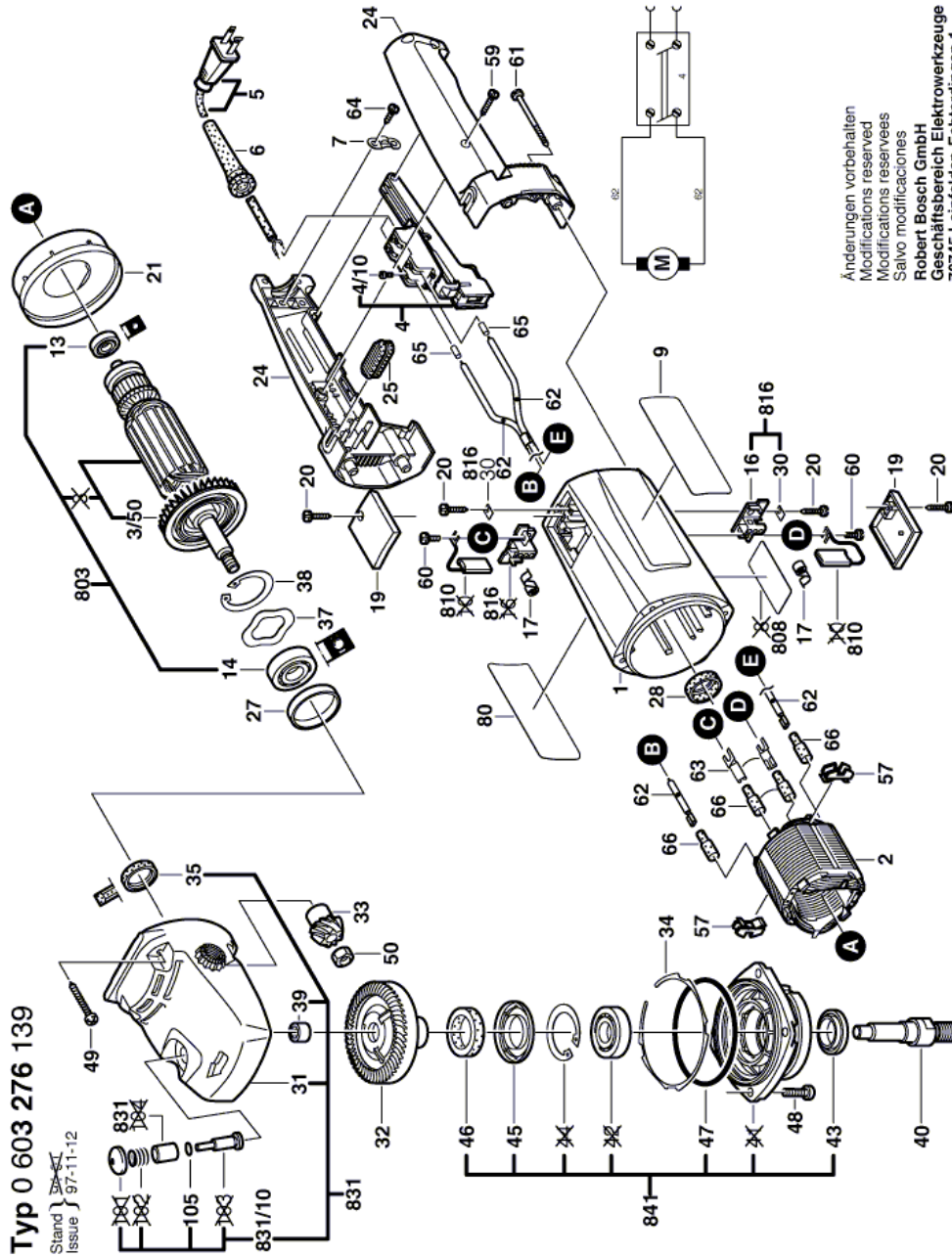
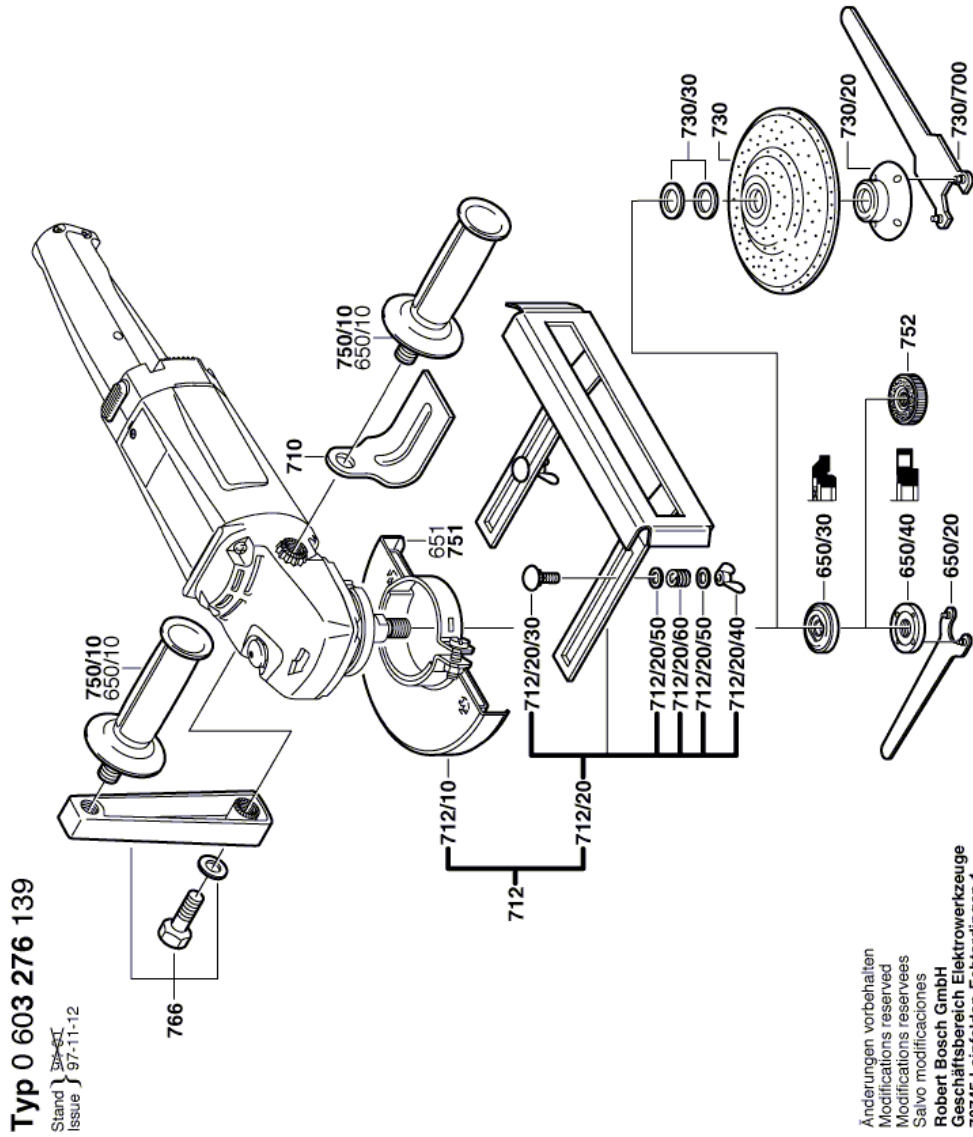


Illustration - Type E



Information subject to change without further notice.