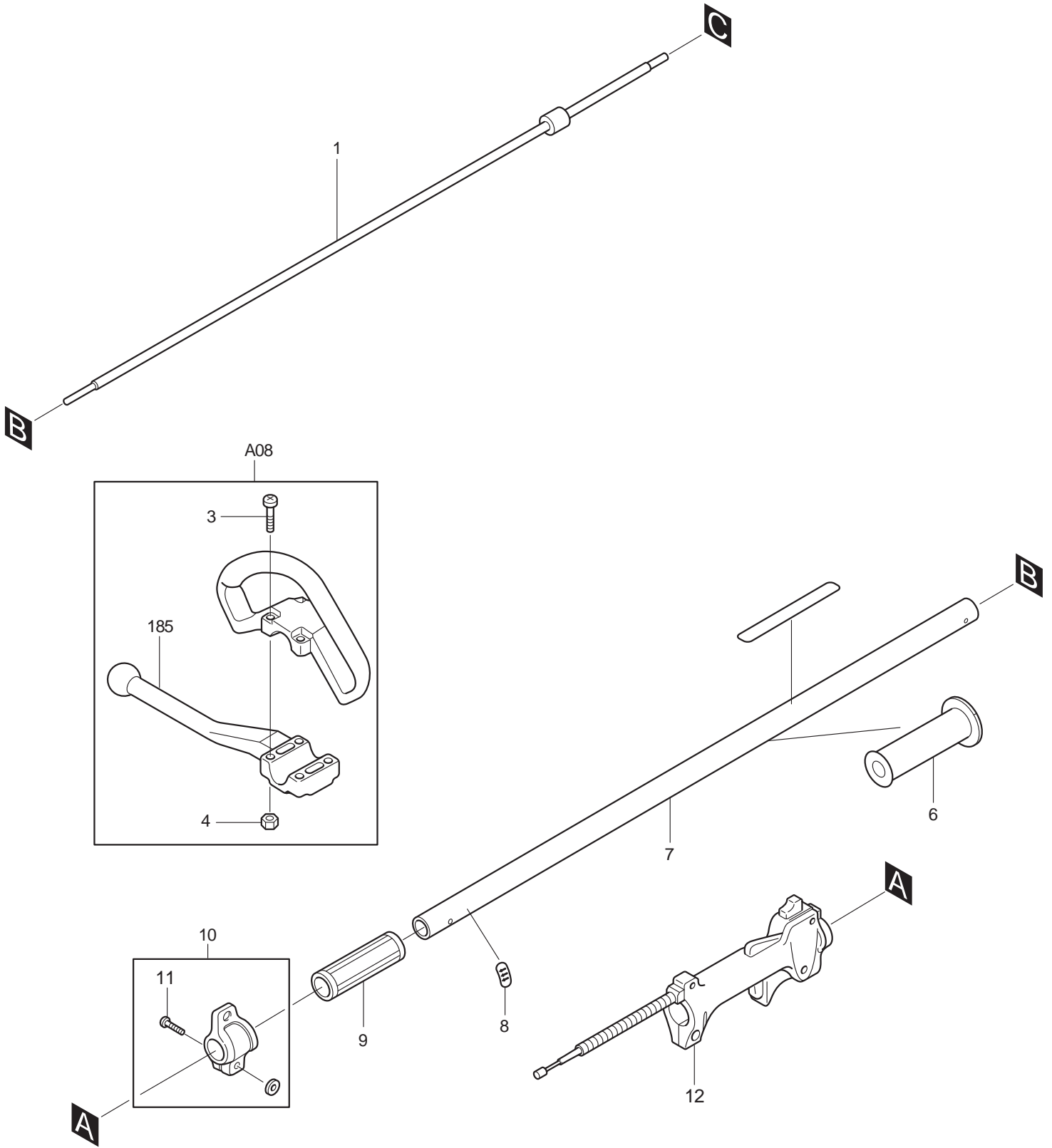
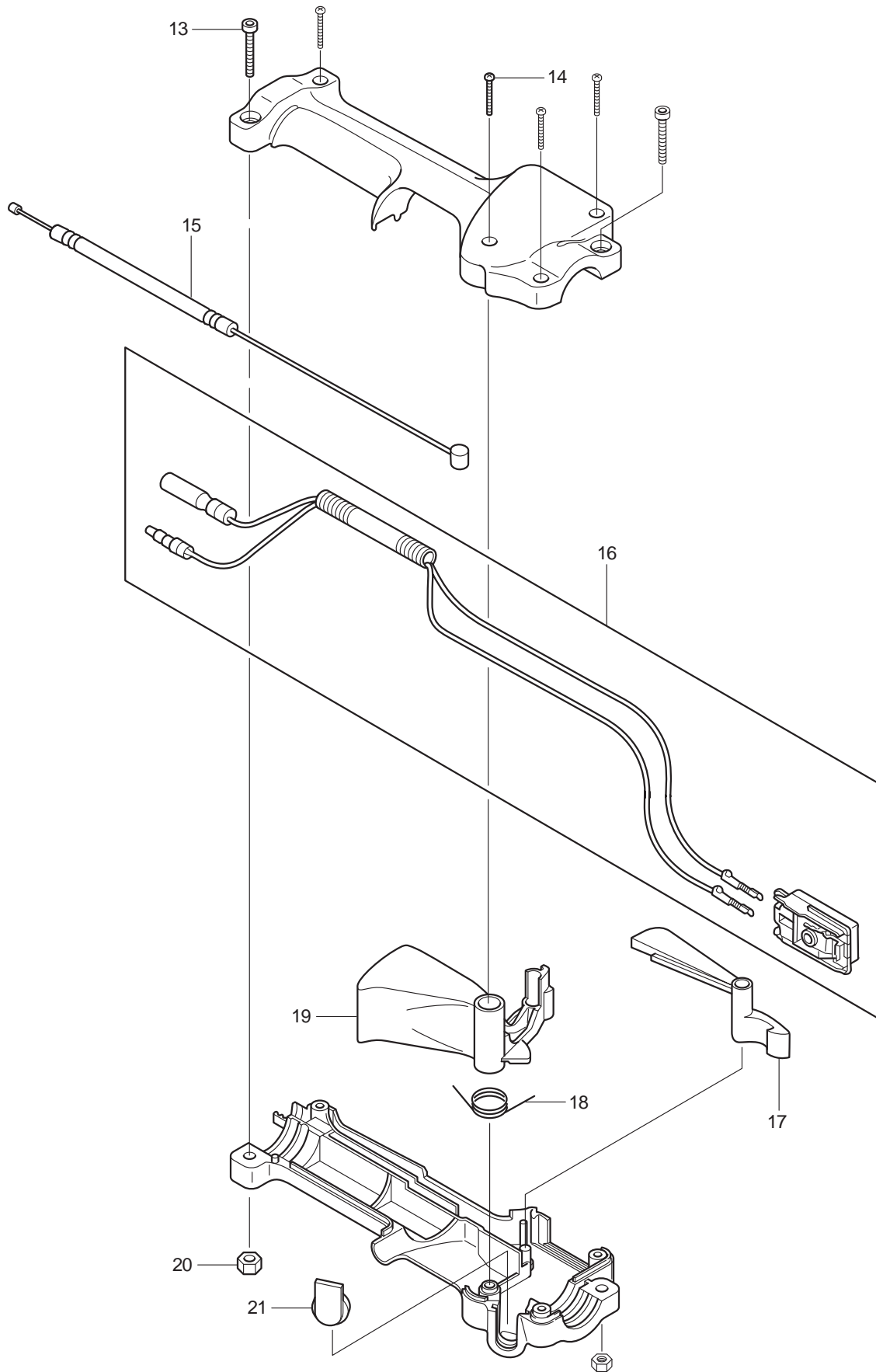
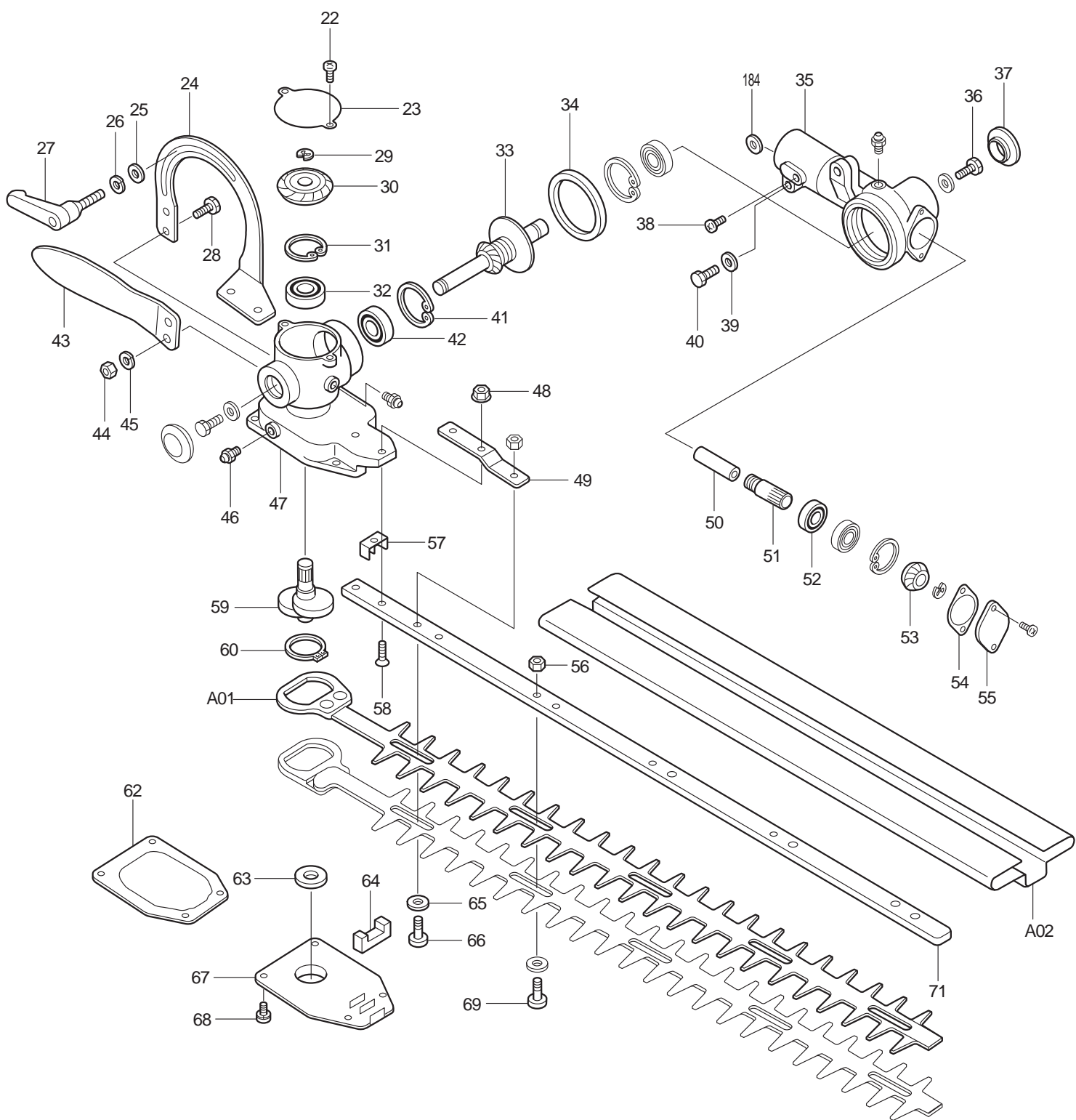


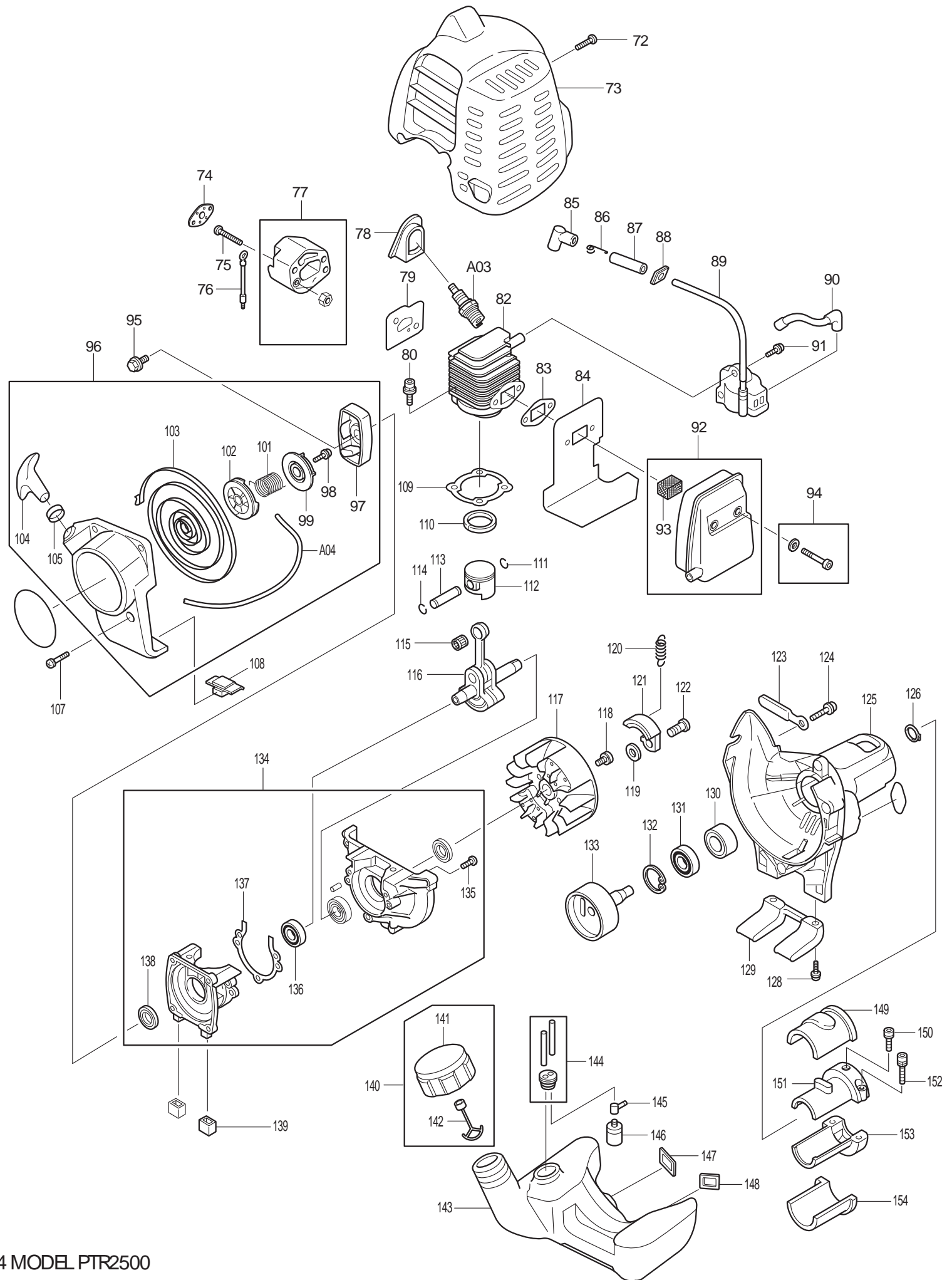


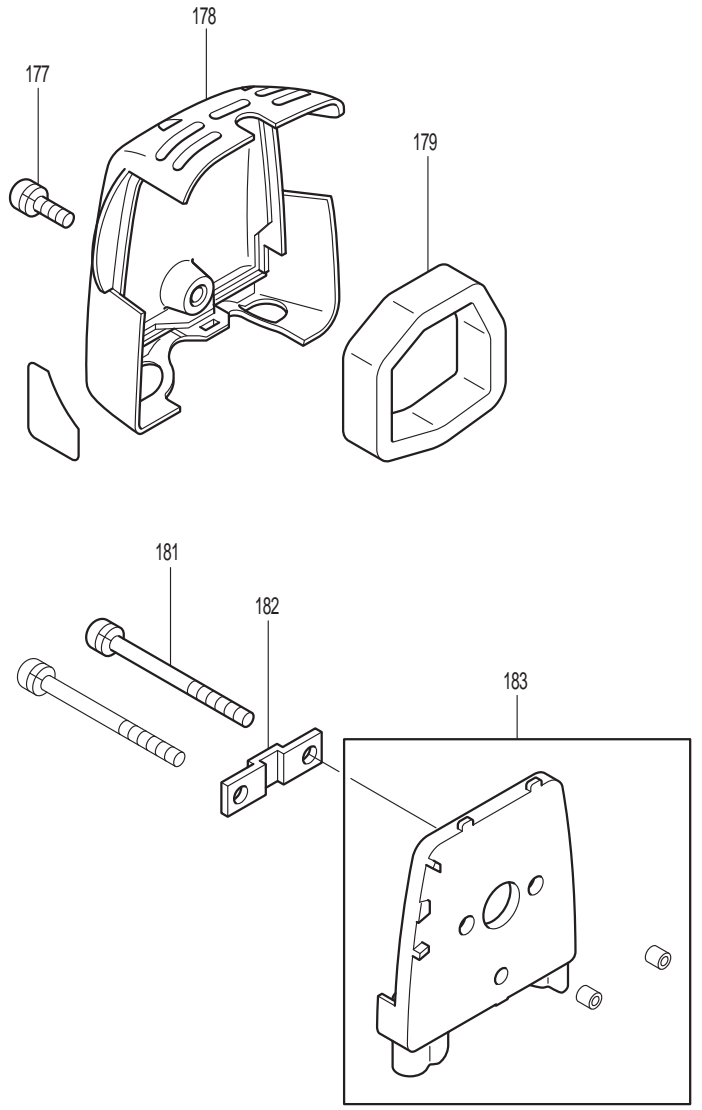
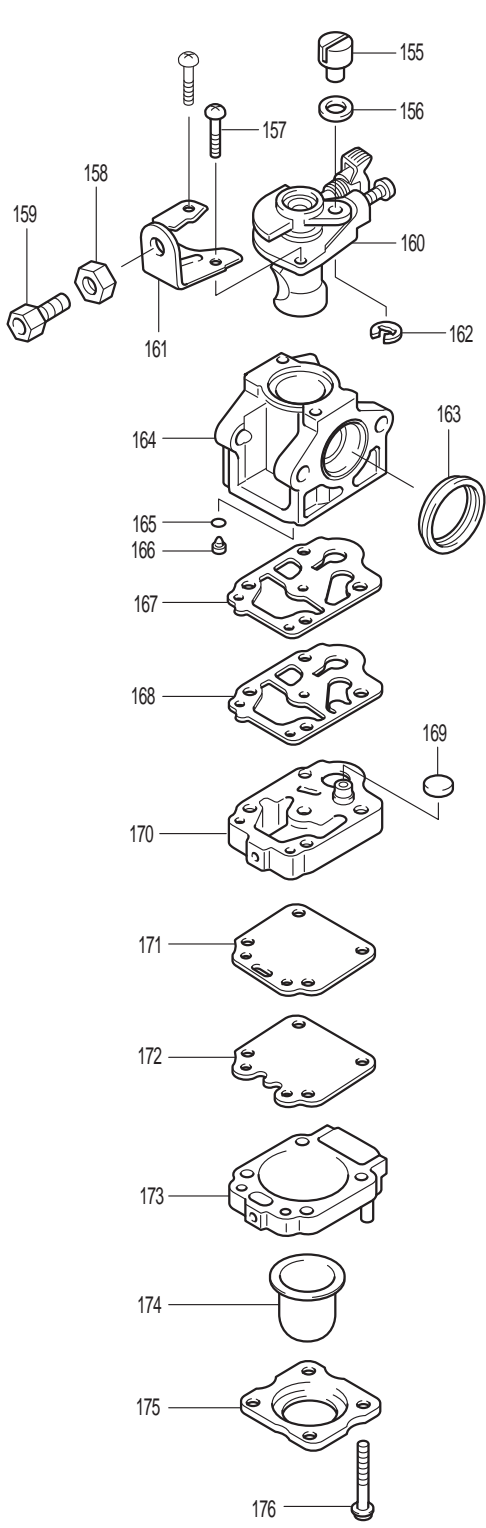
08 - 2010  
PTR2500  
POLE HEDGE TRIMMER











Item No.	Type	Sub	Parts No.	Description	Qty	Unit
1	1		6191500401	SHAFT	1	PC.
	2		324893-4	SHAFT	1	PC.
3	1		6214016030	SCREW	4	PC.
	2		266845-8	BINDING HEAD SCREW M5X25	4	PC.
4	1		002-27050-00	NUT M5	4	PC.
	2		264093-3	HEX. NUT M5	4	PC.
6	1		6014503800	GRIP	1	PC.
	2		273668-7	GRIP 40	1	PC.
7			6211025000	SHAFT PIPE COM.	1	PC.
8	1		6259514700	CAUTION LABEL	1	PC.
	2		808723-2	CAUTION LABEL	1	PC.
9	1		6271501501	SPACER	1	PC.
	2		450659-7	SPACER	1	PC.
10	1		6197005001	HANGER ASS'Y	1	PC.
		INC.		Item No. 11		
	2		126378-4	HANGER ASS'Y	1	PC.
		INC.		Item No. 11		
11	1		0140059360	SCREW & WASHER ASS'Y	1	PC.
	2		266788-4	PAN HEAD SCREW M5X20 WITH WR	1	PC.
12	1		6215030000	CONTROL LEVER ASSY	1	PC.
	2		126014-2	CONTROL LEVER ASSEMBLY	1	PC.
13	1		0119059720	SOCKET HEAD BOLT M5X20	2	PC.
	2		266698-5	HEX. SOCKET HEAD BOLT M5X20	2	PC.
14	1		6195006060	TAPPING SCREW M4X20	4	PC.
	2		266584-0	TAPPING SCREW M4X20	4	PC.
15	1		6215030110	CONTROL CABLE	1	PC.
	2		168674-4	CONTROL CABLE	1	PC.
16	1		6215030060	WIRE SET	1	PC.
	2		638786-2	WIRE SET	1	PC.
17	1		6215023060	LEVER	1	PC.
	2		451934-4	STOP LEVER	1	PC.
18	1		6195006050	SPRING	1	PC.
	2		233568-3	TORSION SPRING	1	PC.
19	1		6195006030	LEVER	1	PC.
	2		451933-6	LONG LEVER	1	PC.
20	1		6415011160	NUT	2	PC.
	2		931203-4	HEX. NUT M5	2	PC.
21	1		6195006150	TOP	1	PC.
	2		451936-0	TOP	1	PC.
22	1		0016040080	SCREW ASSEMBLY	4	PC.
	2		016040080K	SCREW M4X8	4	PC.
23	1		0196112004	PLATE	1	PC.
	2		196112004A	PLATE	1	PC.
24	1		0224145003	PLATE	1	PC.
	2		224145003A	PLATE	1	PC.
25	1		0207060209	WASHER	3	PC.
	2		207060209K	WASHER	3	PC.
26	1		0210060000	SPRING WASHER	3	PC.
	2		210060000K	SPRING WASHER M6	3	PC.
27	1		0034000900	CLAMP LEVER	1	PC.
	2		034000900R	CLAMP LEVER	1	PC.
28	1		0054060220	CROSS RECESS BOLT ASSEMBLY	2	PC.
	2		054060220K	BOLT M6X22	2	PC.
29	1		0280006000	CLIP	2	PC.
	2		280006000K	STOP RING ETW6	2	PC.
30	1		0023500444	GEAR	1	PC.
	2		023500444A	BEVEL GEAR	1	PC.
31	1		0282026000	INNER SNAPRING	2	PC.
	2		282026000K	SNAP RING (INNER) R26	2	PC.
32	1		0354060000	BALL BEARING	1	PC.
	2		354060000K	BALL BEARING 6000	1	PC.
33	1		0224130004	GEAR COMPL	1	PC.
	2		224130004A	GEAR SHAFT	1	PC.
34	1		0440P41000	RING-O	1	PC.

Item No.	Type	Sub	Parts No.	Description	Qty	Unit
			440P41000K	O RING	1	PC.
			6013509000	CASE B	1	PC.
36	1		0054060120	CROSS RECESS BOLT ASSEMBLY	1	PC.
			054060120K	BOLT M6X12	1	PC.
37	1		0224147004	CAP	1	PC.
			224147004A	CAP	1	PC.
38	1		0010050100	SCREW PAN HEAD	1	PC.
			010050100K	PAN HEAD SCREW M5X10	1	PC.
39			0200050000	WASHER	1	PC.
40	1		0054050250	CROSS RECESS BOLT ASSEMBLY	1	PC.
			054050250K	BOLT M5X25	1	PC.
41	1		0282022000	INNER SNAPRING	2	PC.
			282022000K	SNAP RING (INNER) R22	2	PC.
42	1		0354006080	BALL BEARING	2	PC.
			354006080K	BALL BEARING 608	2	PC.
43	1		0224141003	HANDLE	1	PC.
			224141003A	HANDLE	1	PC.
44	1		0150060000	NUT	2	PC.
			150060000K	HEX. NUT M6	2	PC.
45	1		0210060000	SPRING WASHER	2	PC.
			210060000K	SPRING WASHER M6	2	PC.
46	1		0055000100	GREASE NIPPLE M6	3	PC.
			055000100R	GREASING NIPPLE	3	PC.
47	1		0224148002	CASE A	1	PC.
			224148002A	CASE A	1	PC.
48	1		0162050000	FLANGE NUT M5	2	PC.
			162050000K	FLANGE NUT M5	2	PC.
49	1		0224108004	PLATE	1	PC.
			224108004A	PLATE	1	PC.
50	1		0224146004	JOINT R	1	PC.
			224146004A	JOINT R	1	PC.
51	1		0196109004	GEAR SHAFT B	1	PC.
			196109004A	GEAR SHAFT B	1	PC.
52	1		0352069000	BALL BEARING	2	PC.
			352069000K	BALL BEARING 6900	2	PC.
53	1		0023500434	GEAR	1	PC.
			023500434A	BEVEL GEAR	1	PC.
54	1		0196114004	PACKIN	1	PC.
			196114004A	PACKING	1	PC.
55	1		0196113004	PLATE	1	PC.
			196113004A	PLATE	1	PC.
56	1		0164060000	U-NUT M6	5	PC.
			164060000K	HEX. U-NUT M6	5	PC.
57	1		0224131004	GUIDE	1	PC.
			224131004A	GUIDE	1	PC.
58	1		0031050200	SCREW	2	PC.
			031050200K	#NAME?	2	PC.
59	1		0024000053	CRANKSHAFT	1	PC.
			024000053A	CRANK SHAFT	1	PC.
60	1		0283028000	OUTER SNAP RING	1	PC.
			283028000K	SNAP RING STW28	1	PC.
62	1		0224154004	PACKIN	1	PC.
			224154004A	PACKING	1	PC.
63	1		0351006080	BALL BEARING	1	PC.
			351006080K	BALL BEARING 608Z	1	PC.
64	1		0224112004	FELT	1	PC.
			224112004A	FELT	1	PC.
65			0082500000	BLADE SLIDING WASHER	5	PC.

Item No.	Type	Sub	Parts No.	Description	Qty	Unit
66	1		0040002009	SCREW L=19	5	PC.
	2		040002009A	BLADE SLIDE SCREW L19	5	PC.
67	1		0224153003	CASE LOWER	1	PC.
	2		224153003A	CASE LOWER	1	PC.
68	1		0054040120	CROSS RECESS BOLT ASSEMBLY	4	PC.
	2		0078040124	SOCKET HEAD BOLT M4 X 12	4	PC.
69	1		0040001009	SCREW	4	PC.
	2		040001009A	BLADE SLIDE SCREW L17	4	PC.
71	1		0224144003	GUIDE PLATE	1	PC.
	2		224144003A	GUIDE PLATE	1	PC.
72	1		0140059480	SCREW ASS'Y M5X14	1	PC.
	2		266809-2	P.H.SCREW M5X14 WITH WR	1	PC.
73			5255506600	CYLINDER COVER	1	PC.
74	1		5103502801	SPACER GASKET	1	PC.
	2		442177-9	GASKET AIR CLEANER	1	PC.
75	1		0119059640	SOCKET HEAD BOLT M5X25	2	PC.
	2		266793-1	HEX. S.H.B. M5X25 WITH WR	2	PC.
76	1		6165501200	WIRE	1	PC.
	2		6165500201	WIRE	1	PC.
	3		638784-6	WIRE	1	PC.
77	1		5423006000	INSULATOR COMPLETE	1	PC.
	2		140995-6	INSULATOR COMPLETE	1	PC.
78	1		5197500100	PLUG CAP COVER	1	PC.
	2		424445-2	PLUG CAP COVER	1	PC.
79			5253503800	INSULATOR GASKET	1	PC.
80	1		0119059730	SOCKET HEAD BOLT M5X20	2	PC.
	2		266814-9	HEX SOCKET HEAD BOLT M5X20	2	PC.
82	1		5231501804	CYLINDER	1	PC.
	2		318762-9	CYLINDER	1	PC.
83			5233504302	MUFFLER GASKET	1	PC.
84			5253503500	MUFFLER GASKET	1	PC.
85	1		0655009870	PLUG CAP	1	PC.
	2		424337-5	PLUG CAP	1	PC.
86	1		0654009931	PLUG CAP SPRING	1	PC.
	2		324891-8	PLUG CAP SPRING	1	PC.
87			0851139930	TUBE	1	PC.
88			5257501100	GROMMET	1	PC.
89			5257037020	COIL	1	PC.
90	1		5257018001	WIRE COMPLETE	1	PC.
	2		638665-4	LEAD UNIT	1	PC.
91			0043704200	SCREW ASS'Y M4X20	2	PC.
92			5253057000	EXHAUST MUFFLER	1	PC.
93	1	INC.	5253033010	Item No. 93 SPARK ARRESTER	1	PC.
	2		352016-4	SPARK ARRESTER	1	PC.
94	1		0119059600	SOCKET HEAD BOLT M5X45	2	PC.
	2		266697-7	SOCKET HEAD BOLT M5X45	2	PC.
95	1		5235504700	BOLT ASS'Y	1	PC.
	2		266703-8	HEX. HEAD BOLT M6X14	1	PC.
96			5255049000	STARTER REWIND	1	PC.
		INC.		Item No. 97-105		
97			5255051000	PULLEY	1	PC.
98	1		5425003010	SET SCREW	1	PC.
	2		266580-8	TAPPING SCREW 5X10	1	PC.
99			5255050020	CAM PLATE	1	PC.
101	1		5195019030	DAMPER SPRING	1	PC.
	2		233984-9	DAMPER SPRING	1	PC.
102	1		5255050010	REEL	1	PC.
	2		451939-4	REEL	1	PC.
103	1		5235024032	SPIRAL SPRING	1	PC.
	2		232269-0	SPIRAL SPRING	1	PC.
104	1		5225004020	HANDLE	1	PC.
	2		424319-7	STARTER KNOB	1	PC.



Item No.	Type	Sub	Parts No.	Description	Qty	Unit
105	1		5255001040	DAMPER	1	PC.
	2		424359-5	DAMPER	1	PC.
107	1		0140059350	SCREW ASS'Y M5X18	4	PC.
	2		266699-3	PAN HEAD SCREW M5X18	4	PC.
108			5256503000	DAMPER	1	PC.
109	1		5231502304	CYLINDER GASKET	1	PC.
	2		442171-1	CYLINDER GASKET	1	PC.
110	1		5242500701	PISTON RING	1	PC.
	2		257979-8	PISTON RING	1	PC.
111	1		0565089970	CLIP	1	PC.
	2		233976-8	CLIP	1	PC.
112	1		5252500800	PISTON	1	PC.
	2		318766-1	PISTON	1	PC.
113	1		5232502600	PISTON PIN	1	PC.
	2		257781-9	PISTON PIN	1	PC.
114	1		0565089970	CLIP	1	PC.
	2		233976-8	CLIP	1	PC.
115			0610089990	NEEDLE ROLLER BEARING	1	PC.
116			5252007000	CRANKSHAFT COMPLETE	1	PC.
117	1		5237034014	FLYWHEEL	1	PC.
	2		318765-3	FLYWHEEL	1	PC.
	3		266746-0	HEX HEAD BOLT M6X14	1	PC.
119			6252500900	WASHER	2	PC.
120			5928500100	SPRING	1	PC.
121			5928500000	CLUTCH SHOE	2	PC.
122			5928500200	CLUTCH BOLT	2	PC.
123	1		0566059980	CLAMP	1	PC.
	2		345963-6	CLAMP	1	PC.
124	1		0119059870	SOCKET HEAD BOLT M5X18	3	PC.
	2		266787-6	H.S.H.BOLT M5X18 WITH WR	3	PC.
125			6211505500	CLUTCH CASE	1	PC.
126	1		0031512000	OUTER SNAP RING	1	PC.
	2		961052-5	RETAINING RING S-12	1	PC.
128	1		0140059480	SCREW ASS'Y M5X14	2	PC.
	2		266809-2	P.H.SCREW M5X14 WITH WR	2	PC.
129			5259010001	STAND ASSY	1	PC.
130	1		6241500300	SPACER	1	PC.
	2		450569-8	SPACER	1	PC.
131	1		0600129810	BALL BEARING	1	PC.
	2		210111-5	BALL BEARING 6201LLU	1	PC.
132	2		0031432000	INNER SNAP RING	1	PC.
			962151-6	RETAINING RING R-32	1	PC.
133			6212014000	CLUTCH DRUM COMPLETE	1	PC.
134			5231014000	CRANKCASE COMPL	1	PC.
135	1	INC.	0140059520	Item No. 135-138 SCREW M5X25	3	PC.
	2		266701-2	PAN HEAD SCREW M5X25	3	PC.
136	1		0600129850	BALL BEARING 6001C3 UR	2	PC.
	2		210113-1	BALL BEARING 6001	2	PC.
137	1		5231502202	CRANKCASE GASKET	1	PC.
	2		424447-8	CRANK CASE GASKET	1	PC.
138	1		0440129970	OIL SEAL	2	PC.
	2		213628-7	OIL SEAL	2	PC.
139	1		5216500200	DAMPER	2	PC.
	2		424446-0	DAMPER	2	PC.
140	1		5256059000	FUEL TANK CAP COMPLETE	1	PC.
		INC.		Item No. 141,142		
	2	INC.	168668-9	FUEL TANK CAP COMPLETE Item No. 141,142	1	PC.

Item No.	Type	Sub	Parts No.	Description	Qty	Unit
141	1		5256058000	FUEL TANK CAP	1	PC.
	2		452920-8	FUEL TANK CAP	1	PC.
142	1		5256067000	STRAP	1	PC.
	2		140436-2	STRAP COMPLETE	1	PC.
143			5256502900	FUEL TANK	1	PC.
144	2		0851159850	TUBE	1	PC.
	3		162329-3	TUBE	1	PC.
145	1		0561059990	HOSE CLAMP	1	PC.
	2		345920-4	HOSE CLAMP	1	PC.
146	1		5236503900	FILTER	1	PC.
	2		163447-0	GASOLINE FILTER	1	PC.
147	1		5036500200	PLATE	1	PC.
	2		424102-2	PLATE	1	PC.
148	1		5036500300	PLATE	1	PC.
	2		424103-0	PLATE	1	PC.
149			6241501200	PIPE DAMPER 1	1	PC.
150			0119059900	SOCKET HEAD BOLT M5X12	1	PC.
151			6241500601	PIPE BRACKET 1	1	PC.
152	1		0119059950	SOCKET HEAD BOLT M5X18	2	PC.
	2		266844-0	HEX. S.H.BOLT M5X18 WITH W	2	PC.
153	1		6241500701	PIPE BRACKET 2	1	PC.
	2		318271-8	PIPE BRACKET 2	1	PC.
154			6241501300	PIPE DAMPER 2	1	PC.
155	1		5236018040	SWIVEL	1	PC.
	2		325922-6	SWIVEL	1	PC.
156	1		5426005030	WASHER	1	PC.
	2		413140-9	WASHER	1	PC.
157	1		5246001240	THROTTLE COLLAR SCREW	2	PC.
	2		266704-6	PAN HEAD SCREW M3X10	2	PC.
158	1		5316005450	CABLE ADJUST NUT	1	PC.
	2		264065-8	CABLE ADJUST NUT M6	1	PC.
159	1		5216008010	CABLE ADJUST SCREW M6X8	1	PC.
	2		266795-7	ADJUST SCREW	1	PC.
160			5256022020	VALVE ASSEMBLY-THRPOTTLE	1	PC.
161	1		5236052020	BRACKET CABLE	1	PC.
	2		346491-4	BRACKET CABLE	1	PC.
162	1		5316005120	RING	1	PC.
	2		257964-1	STOP RING E-3	1	PC.
163	1		5236018020	RING PACKING	1	PC.
	2		424444-4	PACKING RING	1	PC.
164	1		5256086000	CARBURETOR	1	PC.
		INC.		Item No. 155-176		
	2		168669-7	CARBURETOR	1	PC.
		INC.		Item No. 155-176		
165	1		5246001010	O RING	1	PC.
	2		213538-8	O RING 2	1	PC.
166	1		5256013010	JET	1	PC.
	2		326086-9	JET	1	PC.
167	1		5246001030	PUMP GASKET	1	PC.
	2		442172-9	PUMP GASKET	1	PC.
168	1		5246001040	PUMP DIAPHRAGM	1	PC.
	2		168575-6	PUMP DIAPHRAGM	1	PC.
169	1		5016004010	INLET SCREEN	1	PC.
	2		352010-6	INLET SCREEN	1	PC.
170	1		5236046130	PUMP BODY ASS'Y	1	PC.
		INC.		Item No. 169		
	2		140989-1	PUMP BODY ASSEMBLY	1	PC.
		INC.		Item No. 169		
171	1		5236046040	METERING DIAPHRAGM GASKET	1	PC.
	2		442154-1	METERING DIAPHRAGM GASKET	1	PC.
172	1		5926008010	METERING DIAPHRAGM ASS'Y	1	PC.
	2		168574-8	METERING DIAPHRAGM	1	PC.
173	1		5236046060	AIR PURGE BODY ASS'Y	1	PC.
	2		140988-3	AIR PURGE BODY ASSEMBLY	1	PC.

Item No.	Type	Sub	Parts No.	Description	Qty	Unit
174	1		5246001150	PRIMER PUMP	1	PC.
	2		424314-7	PRIMER PUMP	1	PC.
175	1		5236046050	PRIMER PUMP COVER	1	PC.
	2		346270-0	PRIMER PUMP COVER	1	PC.
176	1		5236046010	PUMP COVER SCREW	4	PC.
	2		266582-4	TAPPING SCREW 3X24	4	PC.
177	1		0140059480	SCREW ASS'Y M5X14	1	PC.
	2		266809-2	P.H.SCREW M5X14 WITH WR	1	PC.
178	1		5253502600	AIR CLEANER CASE	1	PC.
	2		5253502600	AIR CLEANER CASE	1	PC.
	3		452917-7	AIR CLEANER CASE	1	PC.
179	1		5233504700	AIR CLEANER ELEMENT	1	PC.
	2		443167-5	AIR CLEANER ELEMENT	1	PC.
180	1		0736259880	LABEL	1	PC.
	2		892911-1	INDICATION LABEL	1	PC.
181	1		0043105600	PAN HEAD SCREW M5X60	2	PC.
	2		266695-1	PAN HEAD SCREW M5X60	2	PC.
182	1		5013502400	AIR CLEANER PLATE ASSY	1	PC.
	2		346489-1	AIR CLEANER PLATE	1	PC.
183	1		5253021000	CLEANER PLATE COMPLETE	1	PC.
	2		140993-0	* CLEANER PLATE COMPLETE	1	PC.
184			0200050000	WASHER (OLD)	1	PC.
185			0203069980	* SPRING WASHER (Added)	1	PC.
186			267429-5	* FLAT WASHER 6 (Added)	1	PC.
<b>ACCESSORIES</b>		<b>- See catalogue or visit <a href="http://www.makita.ca">www.makita.ca</a> for more optional accessories -</b>				
A01	1		0224143009	BLADE	2	PC.
	2		224143009A	BLADE	2	PC.
A02	1		0028200039	BLADE COVER	1	PC.
	2		028200039A	BLADE COVER	1	PC.
A03			168662-1	SPARK PLUG(BMR7A)	1	PC.
A04	1		5255016020	STARTER ROPE	1	PC.
	2		444024-0	STARTER ROPE	1	PC.
A05	1		6197004000	BAND ASSY	1	PC.
	2		126012-6	BAND ASSY	1	PC.
A06			5109017000	ACCESSORY TOOL KIT	1	PC.
A07	1		6029015000	SAFETY GOGGLES (ANSI compliance) - N/L/A	1	PC.
	2		6029015001	SAFETY GOGGLES (EN and ANSI compliance)	1	PC.
A08	1		6214016000	HANDLE SET	1	PC.
		INC.		Item No. 3,4, 185		
	2		125567-8	HANDLE ASSEMBLY	1	PC.
		INC.		Item No. 3,4, 185		