

Diy-Drill-Driver - 0 603 932 661 - PSR 7,2 VE-2

www.powertools-aftersaleservice.com



BOSCH

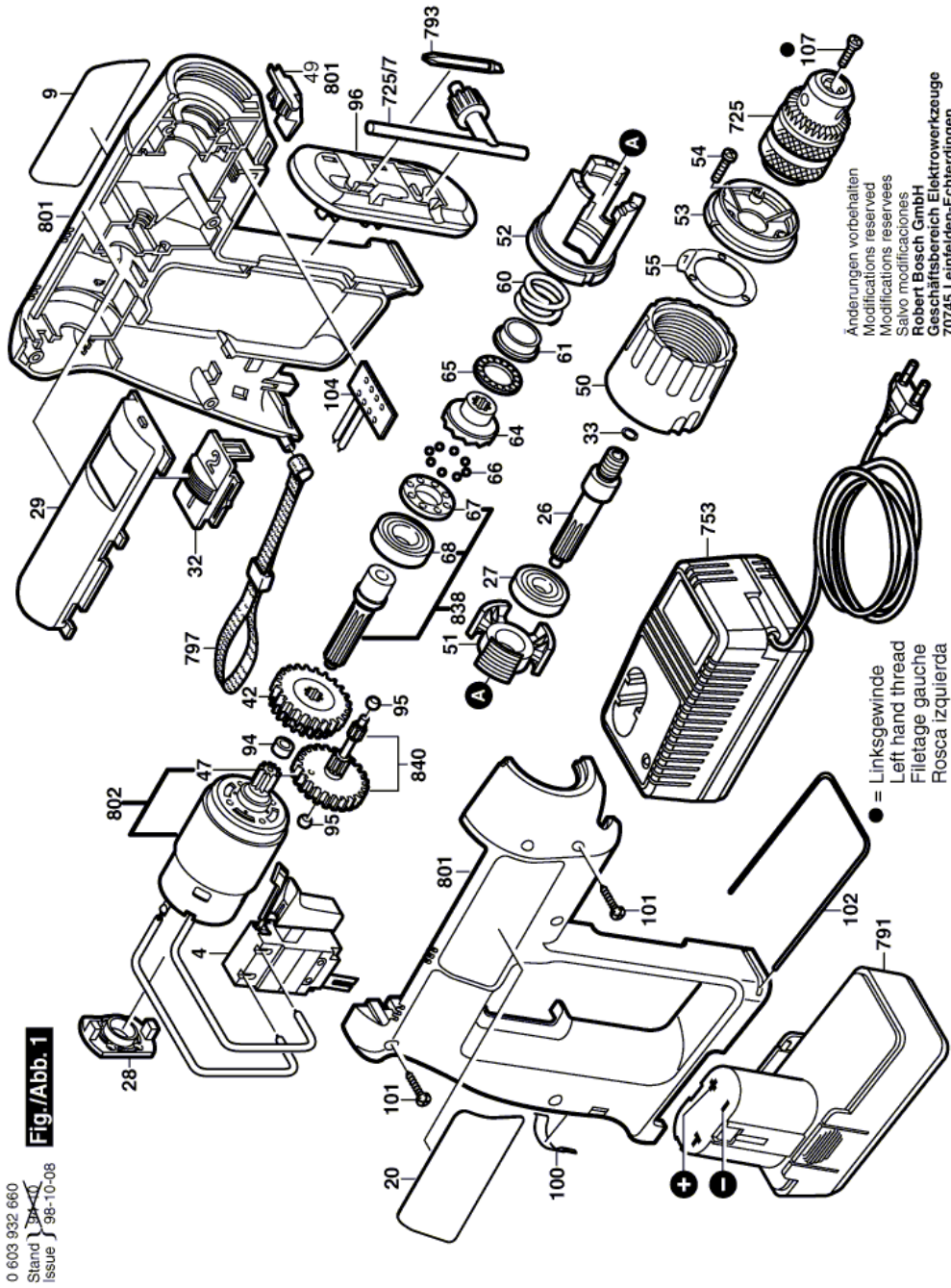
Item	Part Number	Description	Illustration	Price	Quantity	Price Group
4	2 607 200 309	On-Off Switch	1	-,-	1	40
9	2 601 118 376	Manufacturer's nameplate SUNNY SIDE	1	-,-	1	12
20	2 601 118 377	Reference Plate SHADOW SIDE	1	-,-	1	12
26	2 606 309 035	Drilling Spindle 1/2", M 6, SW 13	1	-,-	1	28
27	1 900 905 120	Deep-Groove Ball Bearing 10x26x8	1	-,-	1	22
28	2 605 719 006	Adapter	1	-,-	1	11
29	2 605 510 147	Insert Piece BLACK	1	-,-	1	14
32	2 601 099 032	Adjusting Slide	1	-,-	1	13
33	2 604 601 004	Retaining ring	1	-,-	1	11
42	1 609 340 007	Set Of Gears Z=58/67	1	-,-	1	30
47	2 606 316 112	Pinion Z=11	1	-,-	1	16
49	2 605 510 117	Insert Piece BLACK	1	-,-	1	11
50	2 605 190 032	Setting Ring	1	-,-	1	20
51	2 608 005 044	Sliding Piece	1	-,-	1	16
52	2 600 499 027	Guide Sleeve	1	-,-	1	21
53	2 608 005 045	Clamping Sleeve	1	-,-	1	15
54	2 603 490 024	Torx Oval-Head Screw 4x25	1	-,-	3	11
55	2 600 190 056	Locating Washer	1	-,-	1	11
60	2 604 619 004	Compression Spring	1	-,-	1	12
61	2 607 001 126	Changeover Set	1	-,-	1	19
64	2 606 490 047	Coupling Half	1	-,-	1	18
65	2 600 923 001	Ball Cage	1	-,-	1	15
66	1 903 230 007	Ball DIN 5401-4 MM-III-ST	1	-,-	8	10
67	2 606 436 001	Coupling Half	1	-,-	1	17
68	1 900 905 122	Deep-Groove Ball Bearing 15x32x9	1	-,-	1	22
94	2 600 301 011	Sintered-Metal Bushing	1	-,-	1	11
95	2 600 302 002	Sintered-Metal Bushing	1	-,-	2	11
96	2 608 040 067	Key Holder	1	-,-	1	13
100	2 601 322 016	Clamp Spring	1	-,-	1	14
101	2 912 401 420	Tapping Screw DIN7981-ST3,9x19-F-Z	1	-,-	5	10
102	2 601 329 041	Retaining Bracket	1	-,-	1	11
104	2 608 018 004	Contact retainer	1	-,-	1	16
107	2 603 421 209	Countersunk-Head Screw M6x31 MM LEFTHAND THREADS	1	-,-	1	11

Item	Part Number	Description	Illustration	Price	Quantity	Price Group
725	1 608 571 068	Key Chuck Ø 1-10 MM,1/2"	1	-,-	1	-
725/7	1 607 950 042	Chuck Wrench SG 1, Ø4x60 MM	1	-,-	1	-
725/7	1 607 950 053	Chuck Wrench SG1, Ø5x80 MM	1	-,-	1	-
753	2 607 224 708	Fast Charger USA 120/7,2-14,4V, 30 MIN.	1	-,-	1	-
753	2 607 224 431	Fast Charger USA 120/7,2-24V, 1h	1	-,-	1	48
753	2 607 224 701	Fast Charger EU 230/7,2-14,4V, 30 MIN.	1	-,-	1	45
753	2 607 224 425	Fast Charger EU 230/7,2-24V, 1h	1	-,-	1	46
791	2 607 336 141	Slide-In Accu Package 7,2V,1,5Ah,NiCd	1	-,-	1	40
793	1 609 200 147	Screwdriver Blade 6 MM	1	-,-	1	14
797	2 601 398 009	Carrying Loop	1	-,-	1	-
801	2 605 104 858	Housing Section GREEN	1	-,-	1	27
802	2 607 022 922	DC motor 7,2V	1	-,-	1	29
838	2 606 309 919	Splined Shaft	1	-,-	1	29
840	1 609 340 005	Toothed Shaft Z=10/19/81	1	-,-	1	29
899	0 603 932 670	. 7,2V BATTERY WITHOUT CHARGER	N/A	-,-	1	-

Product information Diy-Drill-Driver - 0 603 932 661 - PSR 7,2 VE-2

Product No	0 603 932 661
Description	195.731; Diy-Drill-Driver
DIN-Text	
ID_Text_Ext	0
Trading_Description	PSR 7,2 VE-2
Voltage_1	7,2 V
ID_Country_Product	USA

Illustration - Type E



Information subject to change without further notice.