

## Cordless Screwdriver - 0 603 927 134 - PSR 3,6 VS

[www.powertools-aftersaleservice.com](http://www.powertools-aftersaleservice.com)



**BOSCH**

Item	Part Number	Description	Illustration	Price	Quantity	Price Group
2	0 603 927 124	Cordless Screw Driver WITHOUT CHARGER + WALL HOLDER		1	-,-	1 -
2/20	2 601 110 999	Sticker		1	-,-	1 11
2/30	1 601 110 265	Sticker		1	-,-	1 15
4	2 610 352 502	Cover		1	-,-	1 -
5	2 610 354 744	Holding Spring		1	-,-	1 19
755	2 607 000 991	Set Of Tools		1	-,-	1 -
760	2 607 224 097	Battery Charger SAM 115/3,6V,6h		1	-,-	1 -

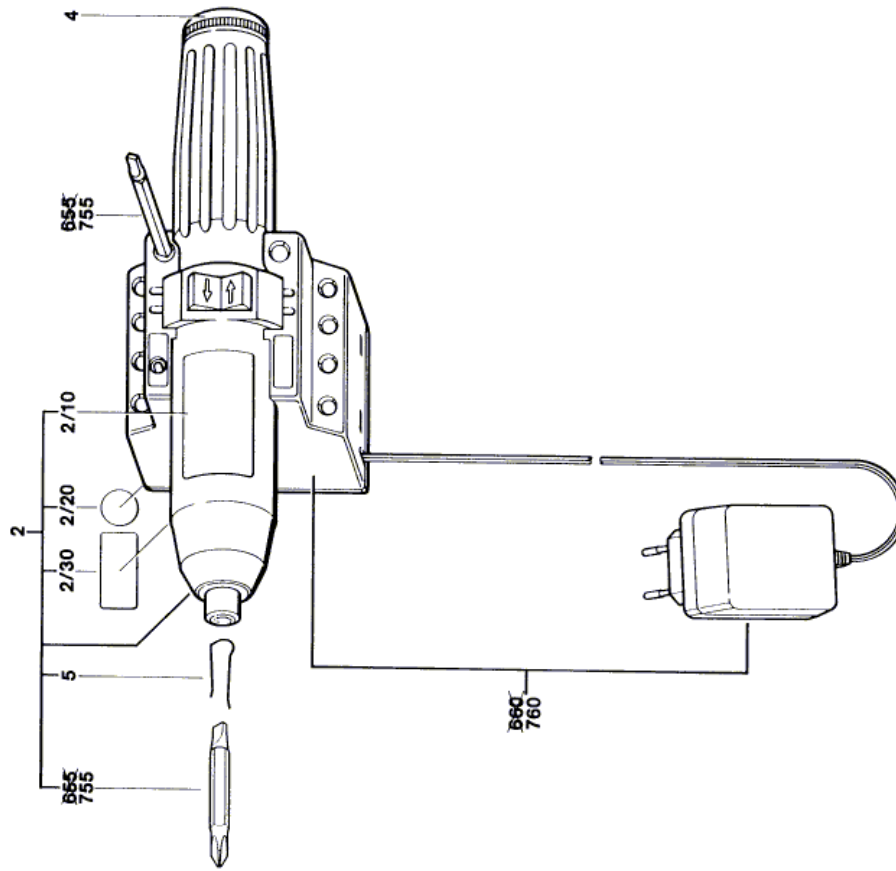
## Product information Cordless Screwdriver - 0 603 927 134 - PSR 3,6 VS

Product No	0 603 927 134
Description	183.490; Cordless Screwdriver
DIN-Text	
ID_Text_Ext	0
Trading_Description	PSR 3,6 VS
Voltage_1	3,6 V
ID_Country_Product	USA

Illustration - Type E

**Typ 0 603 927 1.. = PSR 3,6VS**

Stand } 92.-07  
Issue } 94.-09



Anderungen vorbehalten  
Modifications reserved  
Modificaciones reservadas  
Salvo modificaciones  
Robert Bosch GmbH  
Geschäftsbereich Elektrowerkzeuge  
D 70745 Leinfelden-Echterdingen

Information subject to change without further notice.