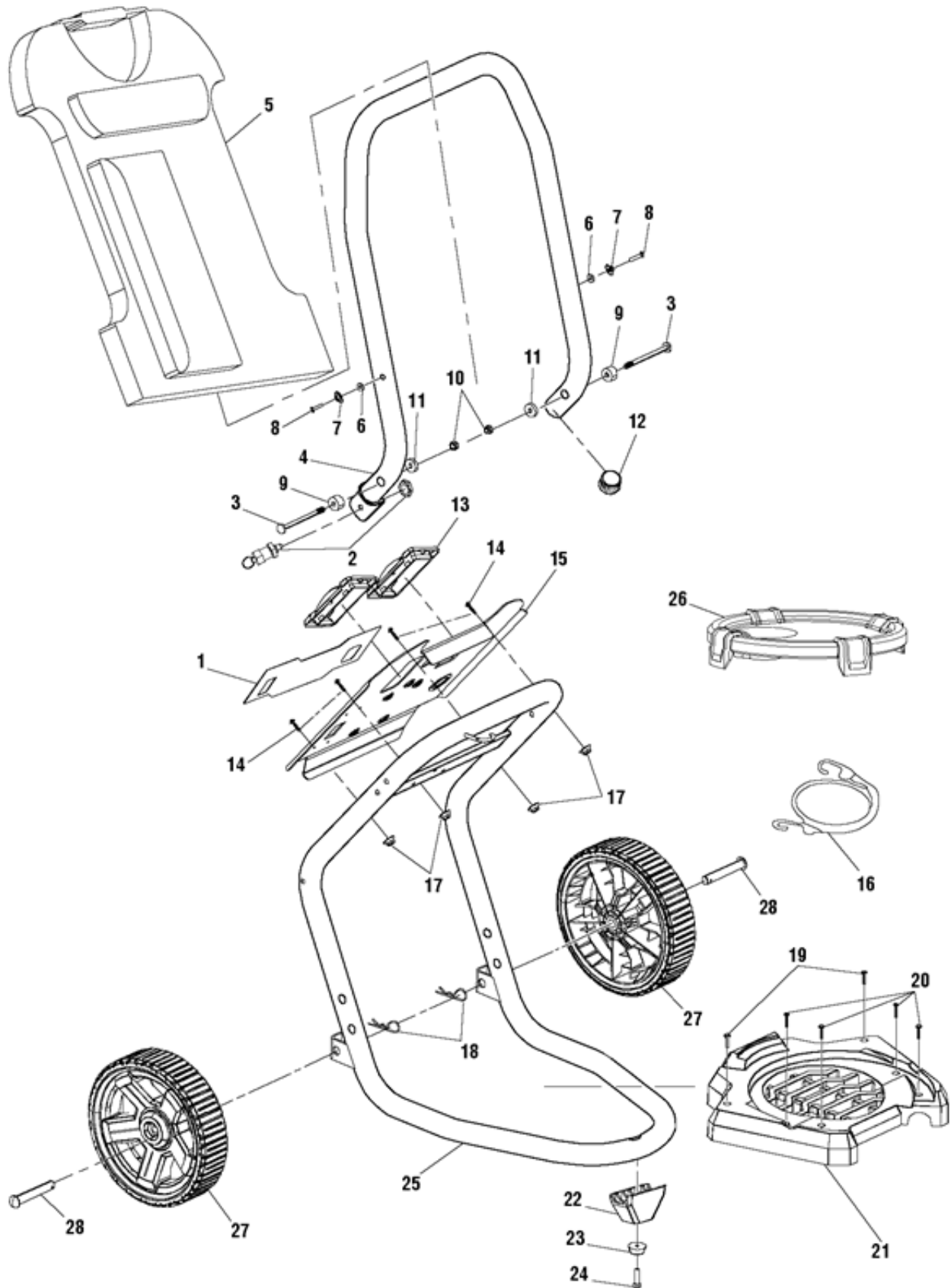


# PSL1PS21

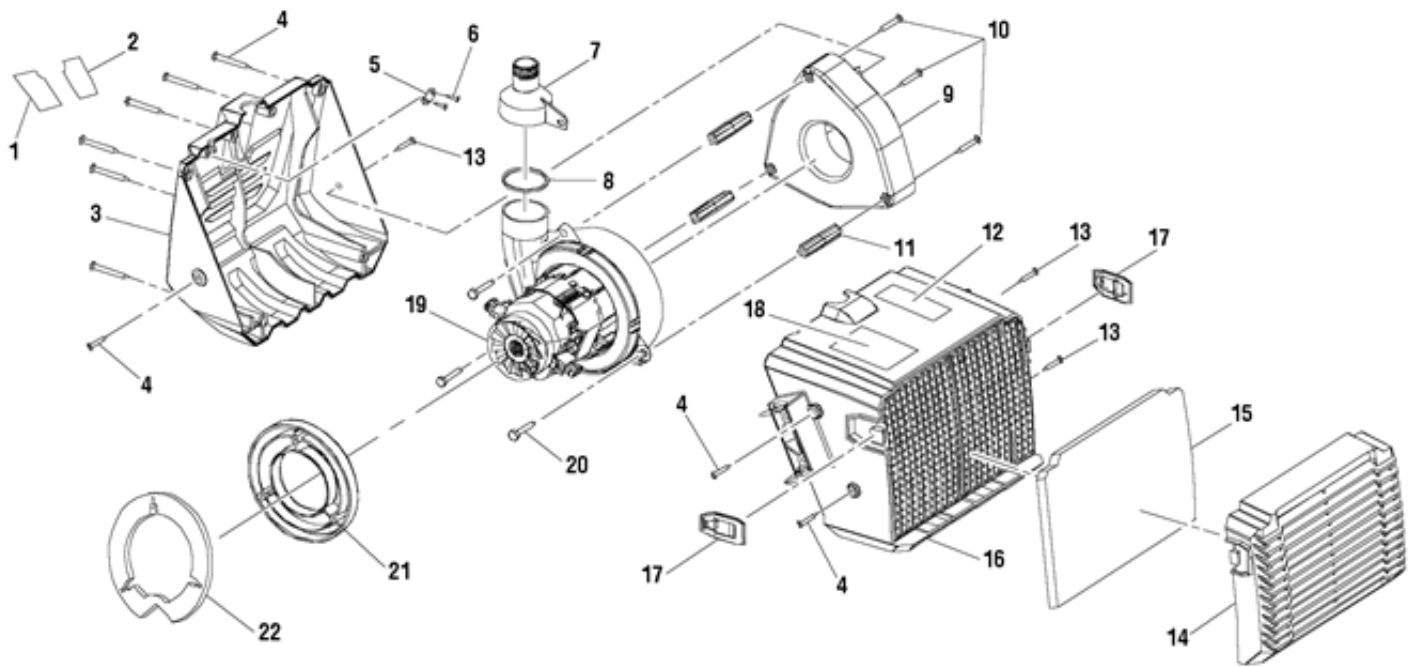
## FIGURE A



Ref #	Part #	Description	Qty	Context Note	Foot Note
1	039748005003	Control Panel Label	1		
2	039748004016	Lock Pin Assembly	1		
3	039748001066	Bolt (M8 x 90 mm)	2		
4	039748005067	Upper Frame Assembly	1		
5	039748005071	Bag	1		
6	039748001093	Washer	2		
7	039748001072	Button	2		
8	039748001073	Screw (M4 x 10 mm)	2		
9	039748001074	Spacer	2		
10	039748001069	Lock Nut (M8)	2		
11	039748001070	Washer (M8)	2		
12	039748001075	End Cap	1		
13	039748001068	Sharp Edge Relief	2		
14	039748001065	Screw (M6 x 40 mm)	4		
15	039748005076	Panel	1		
16	039748004007	Elastic Strap	1		
17	039748001064	Lock Nut (M6)	4		
18	039748001063	Hitch Pin	2		
19	039748001078	Screw (M6 x 35 mm)	2		
20	039748001079	Screw (M6 x 25 mm)	4		
21	039748001056	Base	1		
22	039748001057	Feet	1		
23	039747001095	Rubber Pad	1		
24	039748001058	Screw (M5 x 45 mm)	1		
25	039748005059	Lower Frame Assembly	1		
26	039747001157	Bucket Lid Assembly	1		
27	039748004015	Wheel	2		
28	039748001062	Wheel Shaft	2		
	988000889	Operator's Manual		Not Shown	

PSL1PS21

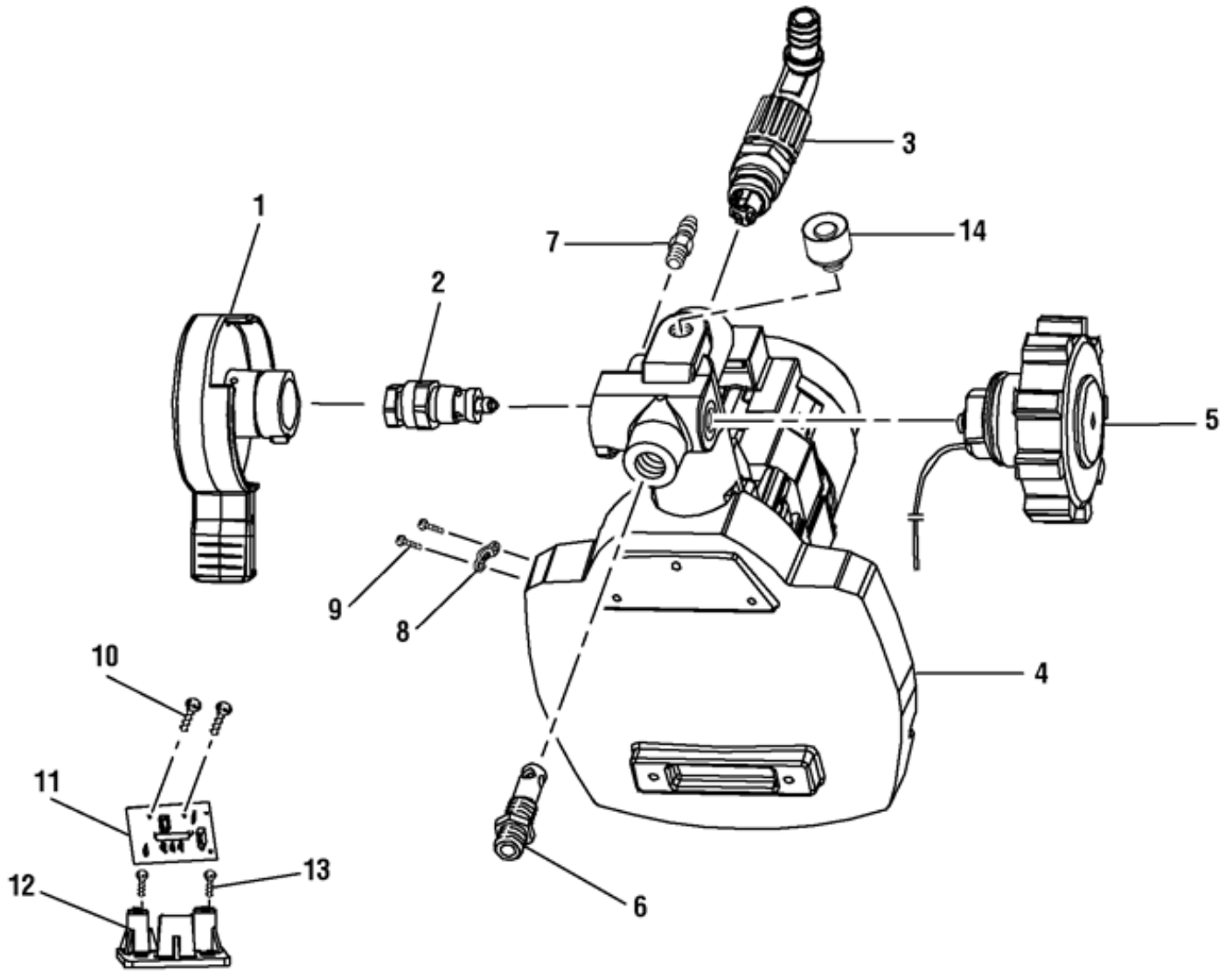
FIGURE B



<b>Ref #</b>	<b>Part #</b>	<b>Description</b>	<b>Qty</b>	<b>Context Note</b>	<b>Foot Note</b>
1	039748005125	Blower Label (B)	1		
2	039748005124	Blower Label (A)	1		
3	039748001046	Blower Housing (Front)	1		
4	039748001041	Screw (M4.2 x 20 mm)	9		
5	039748001047	Cord Clamp	1		
6	039748001048	Screw (M4.2 x 20 mm)	2		
7	039748001049	Air Output Adapter	1		
8	039748001054	Air Seal	1		
9	039748001051	Front Blower Support	1		
10	039748001052	Screw (M5.5 x 20 mm)	3		
11	039748001050	Support Pole	3		
12	039748005121	Warning Label (English)	1		
13	039748001053	Screw (M4.8 x 25 mm)	3		
14	039748005038	Blower Housing (Rear)	1		
15	039748001039	Air Filter	1		
16	039748001040	Blower Housing (Middle)	1		
17	039748001042	Buckle	2		
18	039748005122	Warning Label (French/Spanish)	1		
19	039748001044	Blower Assembly	1		
20	039748001045	Screw (M6.3 x 35 mm)	3		
21	039748001043	Rear Blower Support	1		
22	039748001055	Seal	1		

# PSL1PS21

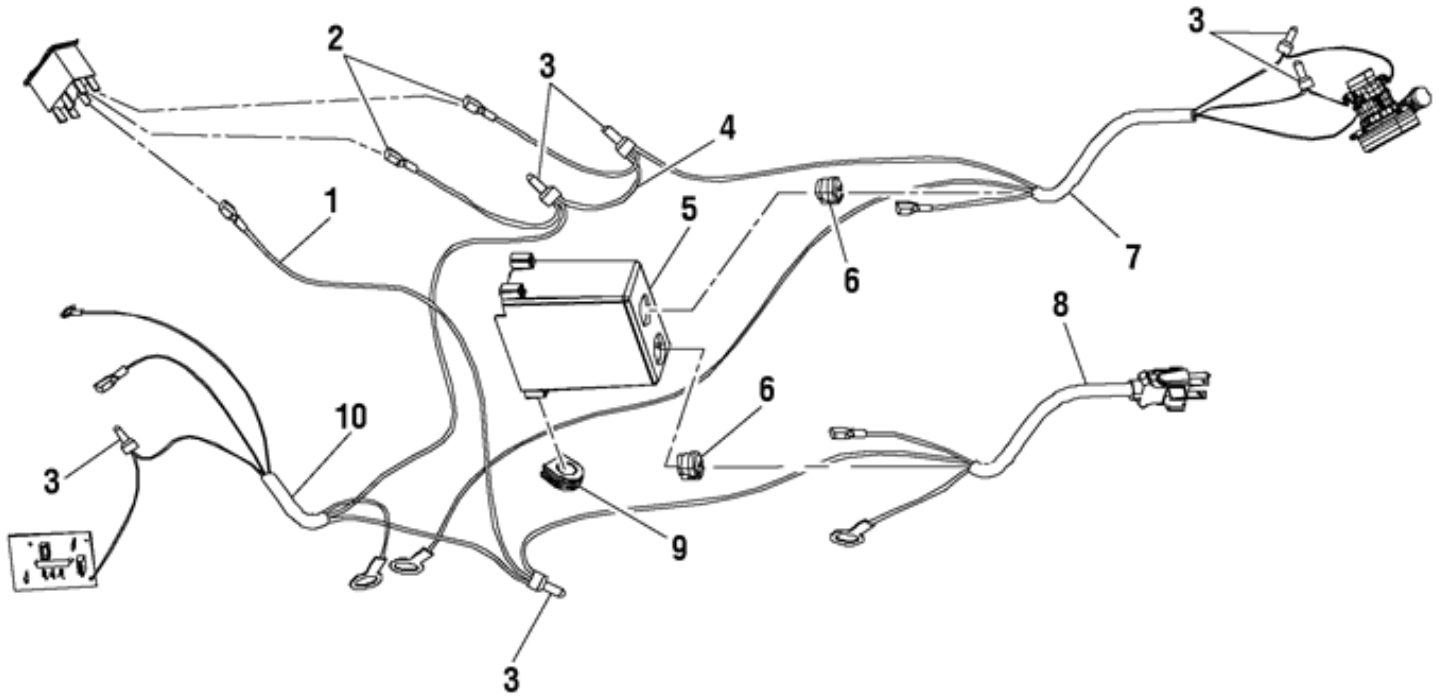
# FIGURE C



<b>Ref #</b>	<b>Part #</b>	<b>Description</b>	<b>Qty</b>	<b>Context Note</b>	<b>Foot Note</b>
1	039748005114	Prime/Spray Lever Assembly	1		
2	039748001113	Prime/Spray Valve assembly	1		
3	039748001150	Inlet Valve Assembly	1		
4	039748005050	Complete Pump Assembly	1		
5	039748005111	Pressure Regulator Assembly	1		
6	039747001156	Outlet Valve Assembly	1		
7	039747001051	Return Hose Fitting	1		
8	039747001123	Cord Clamp	1		
9	039748001013	Screw (M4 x 20 mm)	2		
10	039748001014	Screw (M3.5 x 13 mm)	2		
11	039748001015	Circuit Board Assembly	1		
12	039748001016	Circuit Board Support	1		
13	039748001017	Screw (M4 x 10 mm)	2		
14	039601001065	Ball Plunger Assembly	1		
	039748005010	Pump and Subassemblies (Inc. Key Nos. 1-7)	1	Not Shown	

PSL1PS21

FIGURE D

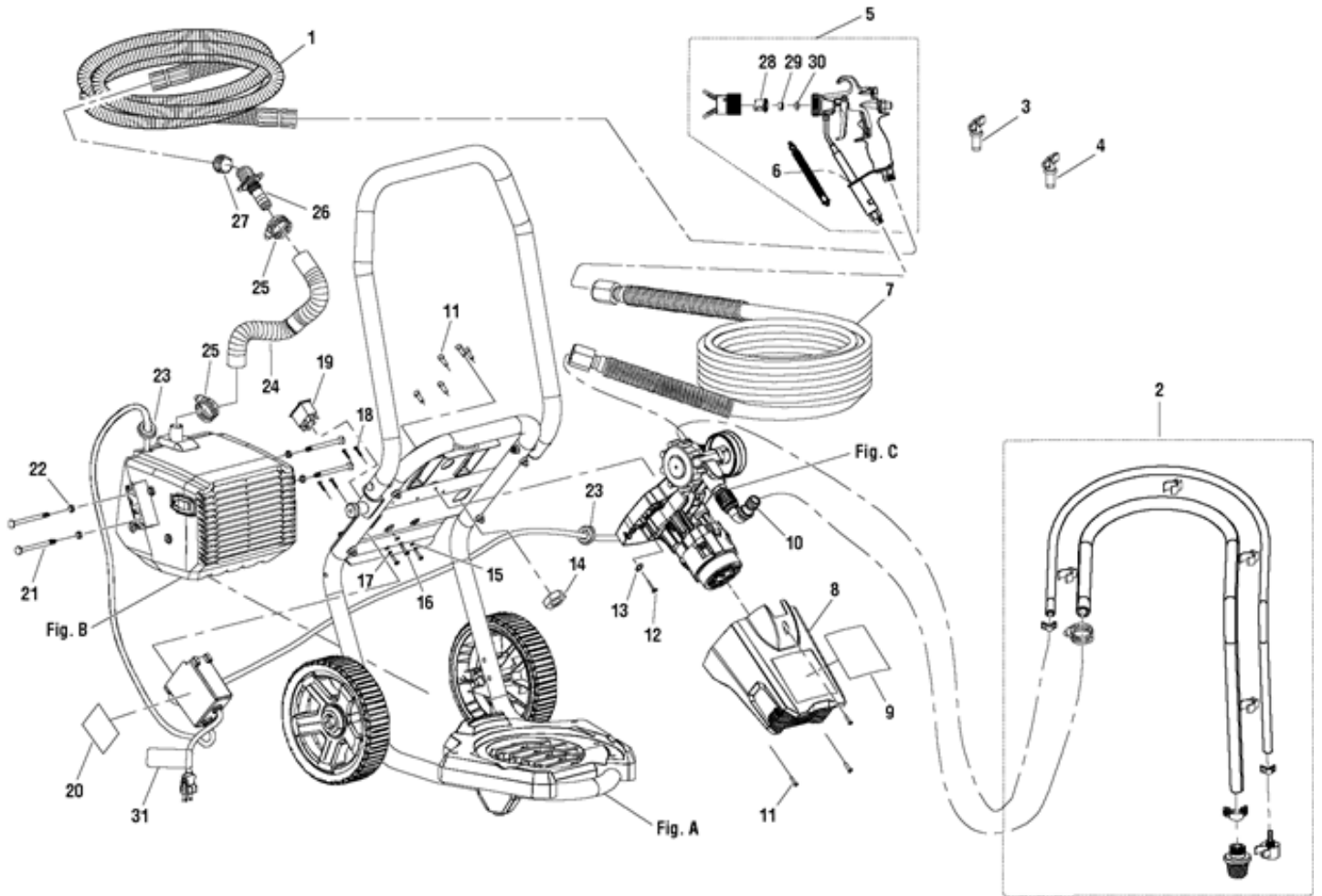


<b>Ref #</b>	<b>Part #</b>	<b>Description</b>	<b>Qty</b>	<b>Context Note</b>	<b>Foot Note</b>
1	039748001088	Lead Wire (A)	1		
2	039748001090	Lead Wire (C)	2		
3	039748001081	Wire Connector (6)	6		
4	039748001089	Lead Wire (B)	1		
5	039748001086	Rear Switch Cover	1		
6	039748001083	Strain Relief	2		
7	039748001085	Power Cord (Blower)	1		
8	039748001084	Power Cord (Main)	1		
9	039748001082	Bend Relief	1		
10	039748001080	Power Cord (Pump Motor)	1		



# PSL1PS21

# FIGURE E



<b>Ref #</b>	<b>Part #</b>	<b>Description</b>	<b>Qty</b>	<b>Context</b>	<b>Note</b>	<b>Foot Note</b>
1	039748001117	Air Hose Assembly (25 ft.)	1			
2	039748001116	Hose Assembly	1			
3	039748005097	517 Reversible Spray Tip	1			
4	039748005098	311 Reversible Spray Tip	1			
5	039748005021	Pistol-Grip Sprayer (Includes Key Nos. 6, 28-30)	1			
6	039748001099	Spray Gun Filter	1			
7	039748005020	High Pressure Fluid Hose Hose (50 ft.)	1			
8	039748005019	Pump Motor Housing	1			
9	039748005001	Quick Start Label	1			
10	039601001051	Barb Hose Fitting	1			
11	039747001021	Screw (M5 x 14 mm)	8			
12	039748001024	Screw (M4 x 6 mm)	1			
13	039748001022	Ground Washer	1			
14	039748001023	Hex Nut	1			
15	039748001096	Wavy Washer	3			
16	039748001094	Ground Screw	3			
17	039748001095	Spring Washer	3			
18	039748001025	Screw (M3.9 x 18 mm)	4			
19	039748005029	Power Switch	1			
20	039748005002	Data Label	1			
21	039748001032	Screw (M6 x 60 mm)	4			
22	039748001031	Hex Nut (M6)	4			
23	039748001030	Bend Relief	2			
24	039748001026	Air Hose (1 ft.)	1			
25	039748001028	Air Hose Clamp	2			
26	039748001027	Air Hose Connector	1			
27	039748001034	Air Outlet Cap	1			
28	039748004022	Nozzle Sleeve w/Ring	1			
29	039747001184	Tip Saddle	1			
30	039747001185	Tip O-ring	1			
31	039748005171	Danger Label	1			