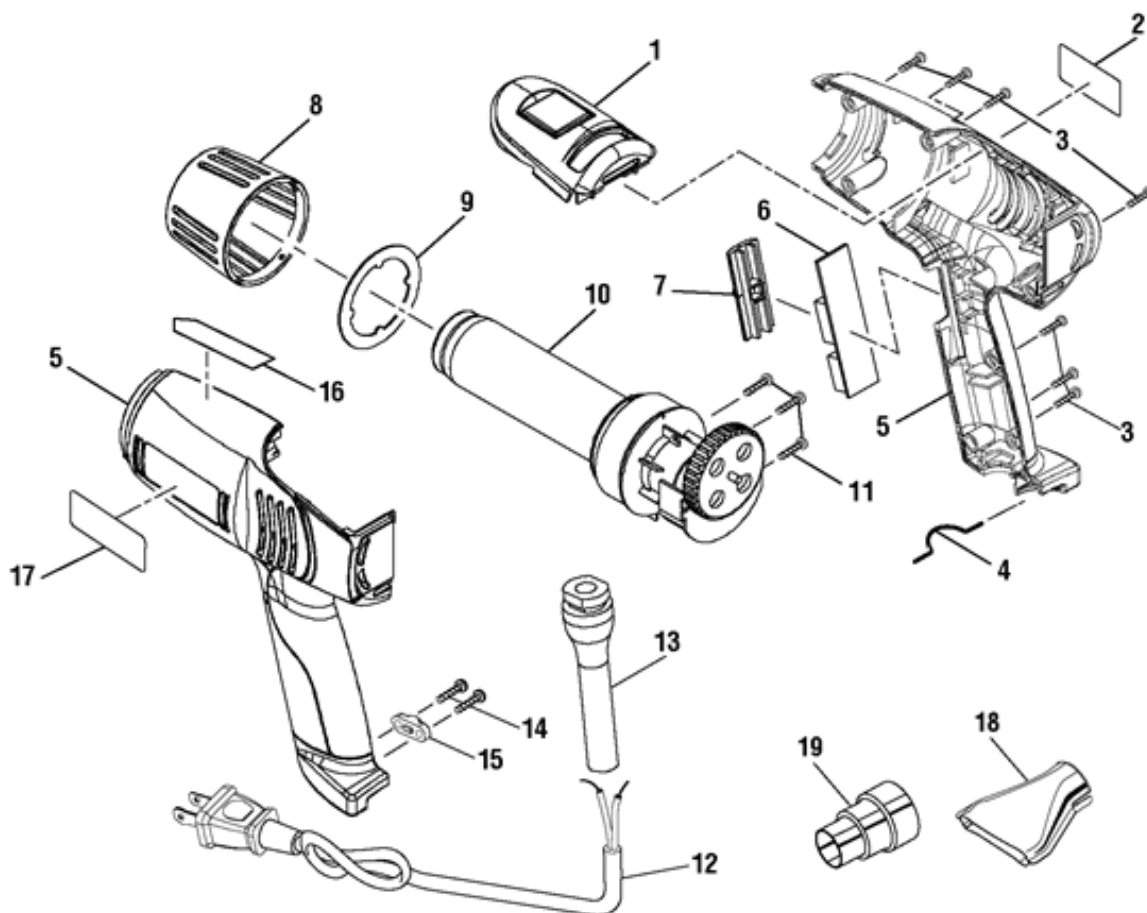


POWERSTROKE VARIABLE TEMPERATURE HEAT GUN - MODEL NO. PSL1HG01

The model number will be found on a label attached to the motor housing. Always mention the model number in all correspondence regarding your **HEAT GUN** or when ordering replacement parts.



Ref #	Part #	Description	Qty	Context Note	Foot Note
1	039002013100	LED Assembly	1		
2	039002021012	Data Label	1		
3	039002013008	Screw (M3.5 x 14 mm)	7		
4	039002013009	Hanging Hook	1		
5	039002013101	Housing Assembly	1		
6	039002013010	Switch Circuitboard Assembly	1		
7	039002013011	Slide Switch	1		
8	039002013031	Nose Cone Cover	1		
9	039002013030	Steel Tube Support	1		
10	039002013102	Heating Assembly	1		
11	039002013006	Screw (M3 x 10 mm)	3		
12	039002013015	Power Cord	1		
13	039002013014	Bend Relief	1		
14	039002013012	Screw (M4 x 14 mm)	2		
15	039002013013	Cord Clamp	1		
16	039002021014	Hot Surface Label	1		
17	039002021013	Logo Label	1		
18	039002001042	Flat Nozzle (Scrap Nozzle)	1		
19	039002001043	Concentrator Nozzle	1		
	988000838	Operator's Manual (039002021011)	1	Not Shown	