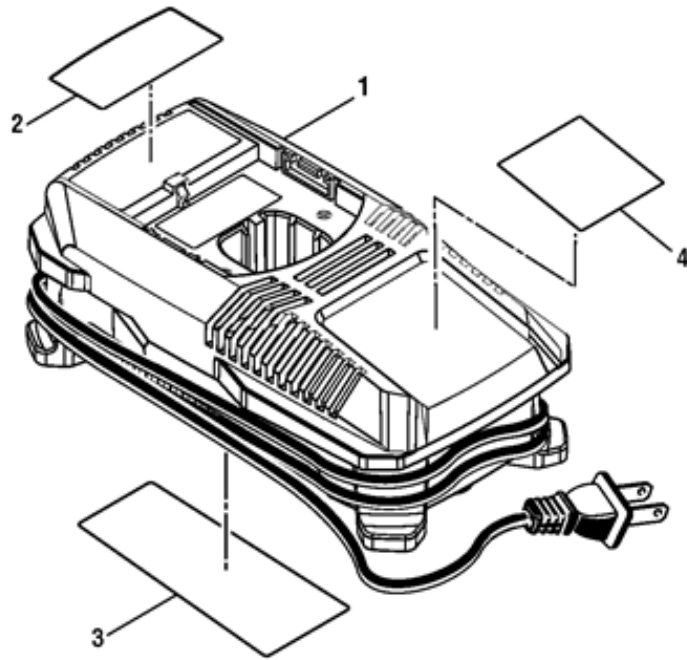


POWER STROKE CHARGER – MODEL NO. PSL0CH183

The model number will be found on the charger. Always mention the model number in all correspondence regarding your **CHARGER** or when ordering replacement parts.



| Ref # | Part # | Description | Qty | Context Note | Foot Note |
|--------------|---------------|-------------------------------|------------|---------------------|------------------|
| 1 | 140185013 | Charger | 1 | | |
| 2 | 940221195 | Warning Label | 1 | | |
| 3 | 941121134 | Data Label | 1 | | |
| 4 | 941008008 | Led Label | 1 | | |
| | 990000439 | Operator's Manual (PSL0CH183) | | Not Shown | |