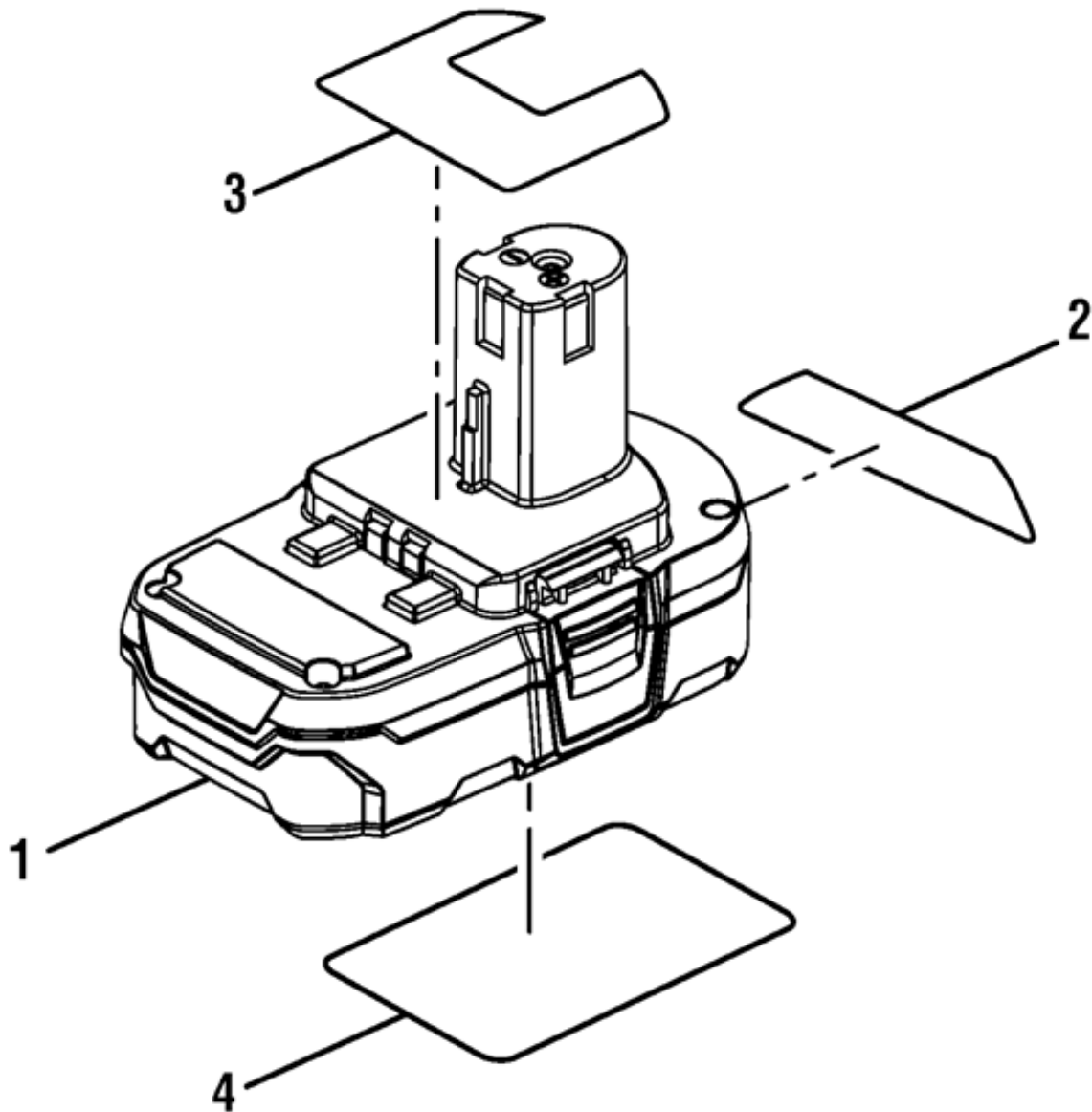


POWERSTROKE BATTERY – MODEL NO. PSL0BA182

The model number will be found on the battery. Always mention the model number in all correspondence regarding your **BATTERY** or when ordering replacement parts.



| Ref # | Part # | Description | Qty | Context Note | Foot Note |
|--------------|---------------|--------------------------|------------|---------------------|------------------|
| 1 | 130429037 | Battery Pack (Slim Pack) | 1 | | |
| 2 | 940221286 | Warning Label | 1 | | |
| 3 | 941002033 | Logo Label | 1 | | |
| 4 | 941121058 | Data Label | 1 | | |
| | 990000195 | Operator's Manual | 1 | Not Shown | |