

Cordl Reciprocating Saw - 3 601 F4L 910 - PS 60

www.powertools-aftersaleservice.com

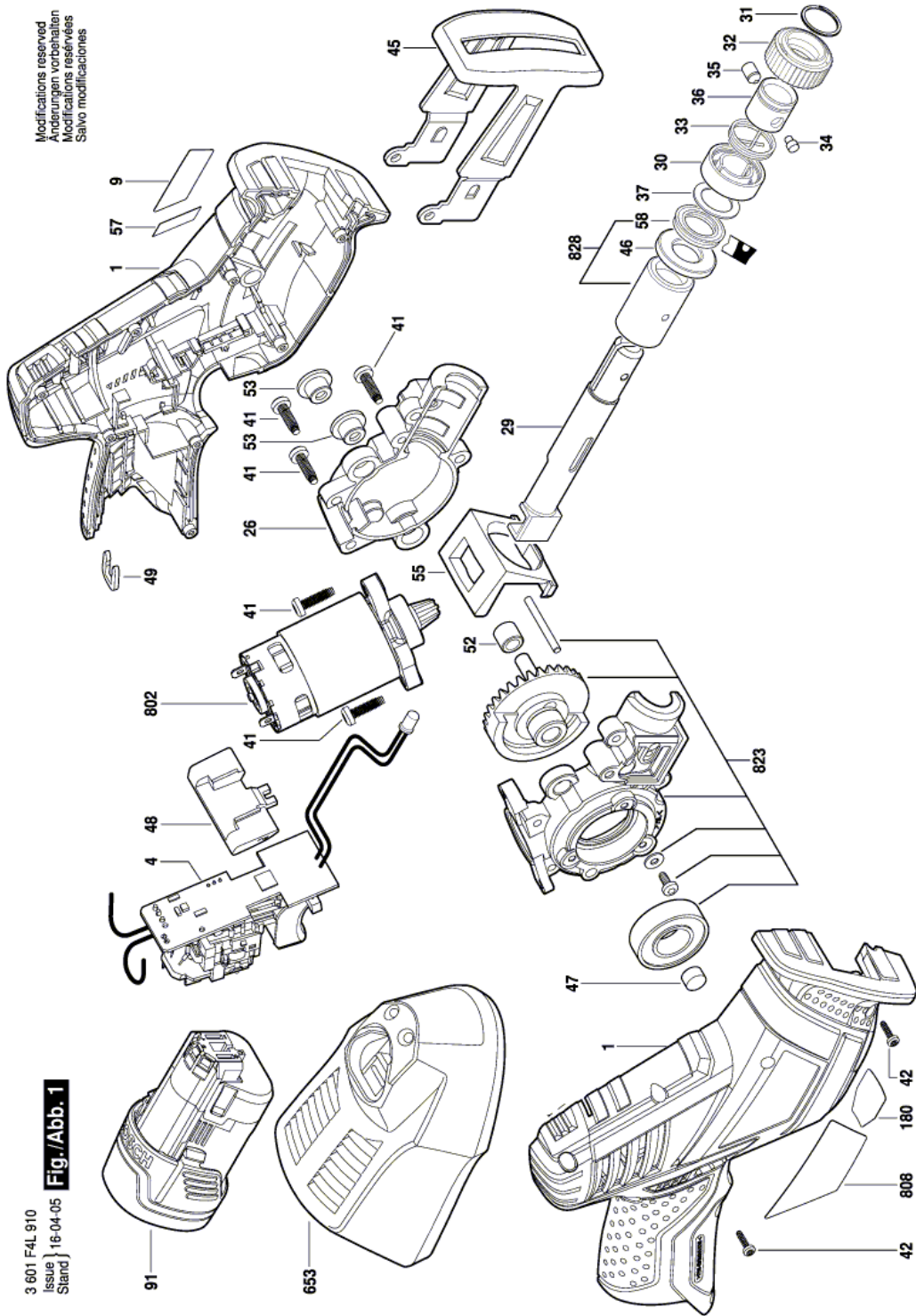


BOSCH

Item	Part Number	Description	Illustration	Price	Quantity	Price Group
1	1 619 P08 600	Housing	1	-,-	1	28
4	1 619 P08 618	Electronics Module	1	-,-	1	41
9	1 619 P08 602	Manufacturer's nameplate LI-IONEN 12V	1	-,-	1	13
26	1 619 P08 606	Gear Cover	1	-,-	1	25
29	1 619 P08 610	Infeed spindle	1	-,-	1	29
30	1 619 P08 611	Spring Retainer	1	-,-	1	11
31	1 619 P08 612	Retaining ring	1	-,-	1	11
32	1 619 P08 613	Clamp ring	1	-,-	1	22
33	1 619 P08 614	Torsion Spring	1	-,-	1	10
34	1 619 P13 440	Retaining Pin	1	-,-	1	13
35	1 619 P08 603	Detent Pin	1	-,-	1	13
36	1 619 P08 616	Control Sleeve	1	-,-	1	19
37	2 610 908 804	Protective Washer	1	-,-	1	13
41	1 619 P08 621	Thread-forming tap. Screw	1	-,-	8	10
42	1 619 P08 622	Plastic-Cutting Screw	1	-,-	9	10
45	1 619 P08 625	Supporting foot	1	-,-	1	28
46	2 610 947 537	Felt Washer	1	-,-	1	10
47	1 619 P08 627	Felt Seal	1	-,-	1	10
48	1 619 P08 665	Locking Lever	1	-,-	1	12
49	1 619 P08 646	Clip	1	-,-	1	10
52	1 619 P08 617	Bushing	1	-,-	1	12
53	1 619 P08 626	Bumper	1	-,-	2	10
55	1 619 P08 645	Protective Cover	1	-,-	1	13
57	1 619 P08 630	Sticker	1	-,-	1	13
58	1 619 P12 117	Shaft Seal	1	-,-	1	10
91	2 607 336 523	Slide-In Accu Package 10,8-12V, 1,5Ah, LI	1	-,-	1	42
91	1 607 A35 0C8	Battery Pack BAT 414 10,8/12V 2,0Ah	1	-,-	1	-
91	2 607 337 237	Battery Pack BAT 415 10,8V/12V 2,5AH	1	-,-	1	45
180	1 619 P08 648	Warning Plate	1	-,-	1	13
653	2 607 225 519	Fast Charger USA 120/3,6-10,8V,1h	1	-,-	1	39
653	2 607 225 139	Fast Charger USA/CAN 120/10,8-12V/30 MIN.	1	-,-	1	40
802	1 619 P08 652	DC motor 10,8V	1	-,-	1	36
808	1 619 P08 653	Nameplate	1	-,-	1	13

Item	Part Number	Description	Illustration	Price	Quantity	Price Group
823	1 619 P08 651	Housing	1	-,-	1	32
828	1 619 P13 959	Bushing	1	-,-	1	19

Illustration - Type E



Information subject to change without further notice.