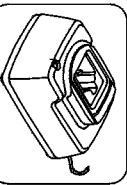
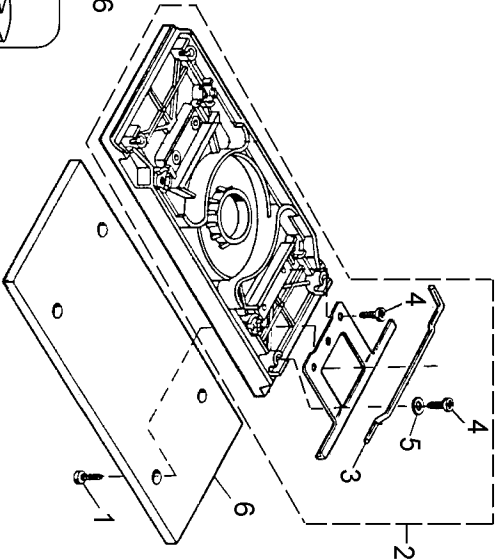
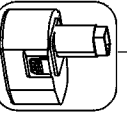


871



866



Parts List for PS510T Type 1

Item Number	Part Number	Description	Qty Required
1	330019-04	SCREW,PLASTITE	4
2	000000-00	No Longer Available	1
3	000000-00	No Longer Available	2
4	330019-01	SCREW,TORX HD	8
5	99359-05	WASHER	4
6	000000-00	No Longer Available	1
866	PS120	9.6V BATTERY PACK	1
871	418352-00	PS150 9.6V CHARGER	1