

Cordless Drill Driver - 3 601 JD4 010 - PS32

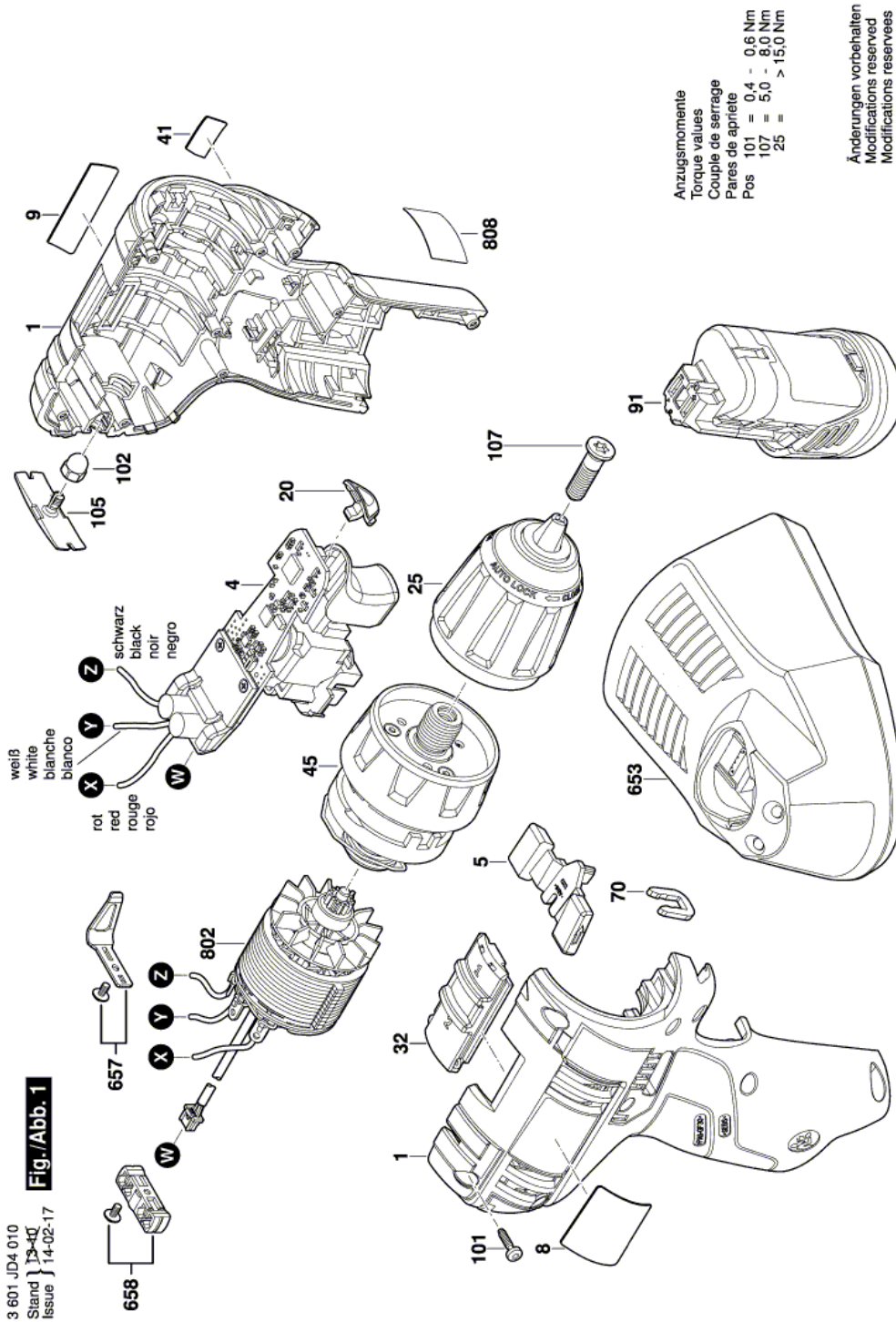
www.powertools-aftersaleservice.com



BOSCH

Item	Part Number	Description	Illustration	Price	Quantity	Price Group
1	2 609 101 216	Housing	1	-,-	1	30
4	1 607 233 568	Electronic Module	1	-,-	1	44
5	2 609 101 213	Changeover Lever	1	-,-	1	11
8	2 609 134 546	Warning Plate	1	-,-	1	13
9	2 609 134 563	Manufacturer's nameplate CORE brushless	1	-,-	1	13
20	2 609 101 035	Lens	1	-,-	1	10
25	2 609 111 562	Keyless Chuck	1	-,-	1	34
32	2 609 199 279	Switchover Unit	1	-,-	1	10
41	2 609 134 053	Sticker	1	-,-	1	13
45	2 609 199 605	Gear Box	1	-,-	1	39
70	2 609 110 537	Clip	1	-,-	1	11
91	1 607 A35 0C8	Battery Pack BAT 414 10,8/12V 2,0Ah	1	-,-	1	-
91	2 607 337 237	Battery Pack BAT 415 10,8V/12V 2,5AH	1	-,-	1	45
101	2 609 110 883	Screw	1	-,-	9	10
102	2 609 111 575	Cap Nut	1	-,-	1	11
105	2 609 101 368	Color clip	1	-,-	1	13
107	2 603 421 229	Countersunk-Head Screw M6x23	1	-,-	1	11
653	2 607 225 519	Fast Charger USA 120/3,6-10,8V,1h	1	-,-	1	39
653	2 607 225 139	Fast Charger USA/CAN 120/10,8-12V/30 MIN.	1	-,-	1	40
657	2 609 199 670	Clip	1	-,-	1	21
658	2 609 199 748	Bit holder	1	-,-	1	12
802	2 609 199 654	Brushless DC motor 10,8V	1	-,-	1	40
808	2 609 134 545	Nameplate	1	-,-	1	13

Illustration - Type E



Information subject to change without further notice.