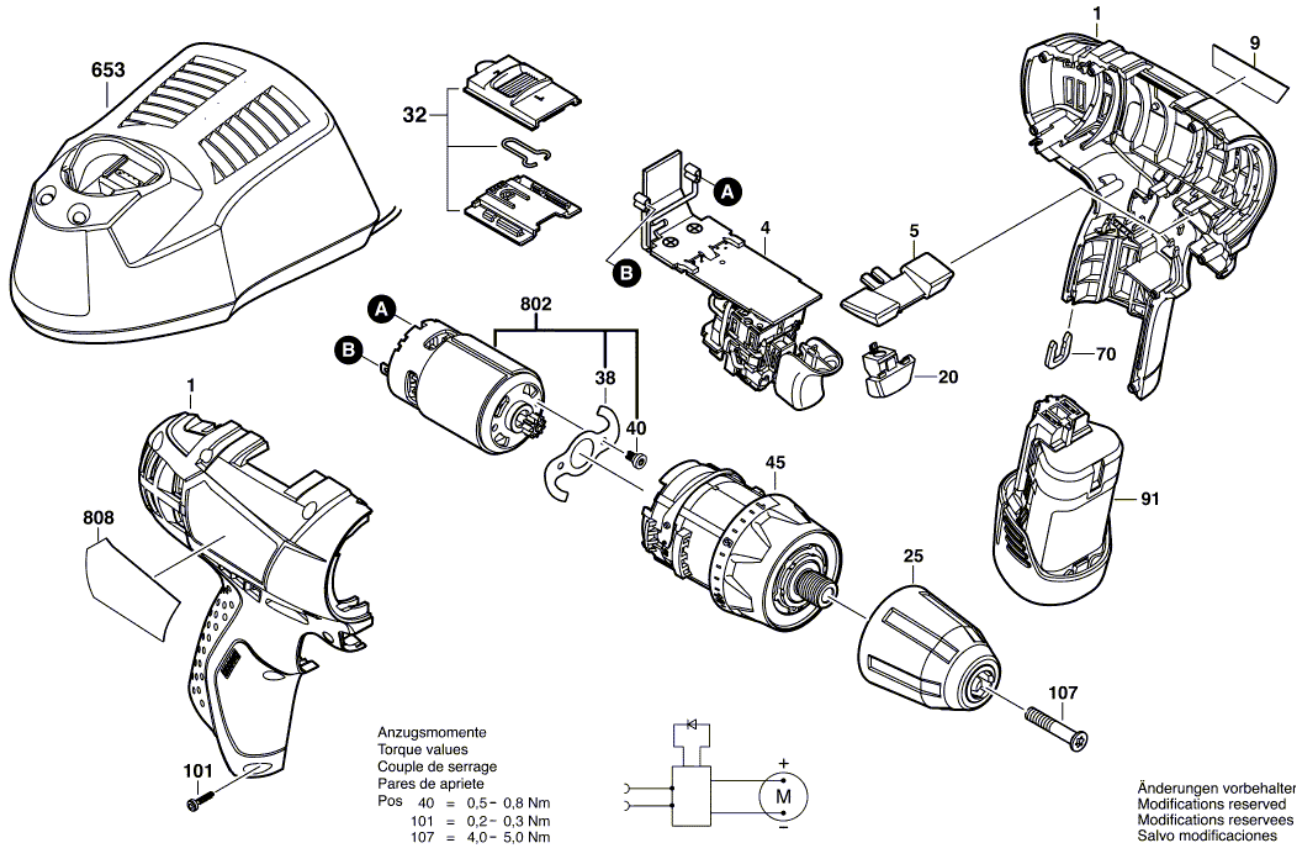


1800 W. Central Mount Prospect IL 60056

3 601 H68 000

Stand 08-06
Issue 08-08-26

Fig./Abb. 1



Anzugsmomente
Torque values
Couple de serrage
Pares de apriete
Pos 40 = 0,5 - 0,8 Nm
101 = 0,2 - 0,3 Nm
107 = 4,0 - 5,0 Nm

Änderungen vorbehalten
Modifications reserved
Modifications reserves
Salvo modificaciones

1800 W. Central Mount Prospect IL 60056					
Pos.	Part Number	Description	Pos.	Part Number	Description
1	2 609 100 666				
4	1 607 233 508				
5	2 609 100 665				
9	2 609 132 078				
20	2 609 100 664				
25	2 609 110 799				
32	2 609 199 119	Regulator			
38	2 609 110 801				
40	2 609 110 802				
45	2 609 199 298				
70	2 609 110 537	Clip			
91	2 607 336 015	Slide-In Accu Package			
101	2 609 110 883				
107	2 609 110 635	Pan head screw			
653	2 607 225 139	Fast Charger			
802	2 609 199 177				
808	2 609 131 894				