

Router - 3 601 F0A 010 - PR 10 E

www.powertools-aftersaleservice.com



BOSCH

| Item | Part Number | Description | Illustration | Price | Quantity | Price Group |
|------|---------------|--|--------------|-------|----------|-------------|
| 1 | 2 610 035 221 | Housing | | -,- | 1 | 23 |
| 4 | 2 609 120 274 | Switch | | -,- | 1 | 25 |
| 5 | 1 604 460 308 | Power supply cord USA/CDN/SMA 3,30m 2 x 0,82mm SJ 18/2 | | -,- | 1 | 25 |
| 6 | 2 600 703 018 | Grommet Ø7,3-Ø8,6x76 MM | | -,- | 1 | 13 |
| 7 | 2 601 035 001 | Cable Clip | | -,- | 1 | 11 |
| 8 | 2 609 131 587 | Type Label | | -,- | 1 | 13 |
| 9 | 2 609 130 778 | Warning Plate | | -,- | 1 | 12 |
| 11 | 2 609 130 777 | Warning Plate | | -,- | 1 | 12 |
| 12 | 1 607 233 189 | Regulator 120V | | -,- | 1 | 31 |
| 13 | 2 609 110 435 | groove ball bearing | | -,- | 1 | 20 |
| 14 | 2 609 110 436 | groove ball bearing | | -,- | 1 | 19 |
| 15 | 2 609 110 253 | Self-locking nut | | -,- | 1 | 14 |
| 16 | 2 609 110 217 | Brush Holder | | -,- | 2 | 11 |
| 17 | 2 609 100 203 | Brush-Cover | | -,- | 2 | 10 |
| 18 | 2 609 110 294 | Spring Washer | | -,- | 2 | 10 |
| 19 | 2 910 611 093 | Tapping Screw | | -,- | 3 | 10 |
| 20 | 2 609 110 490 | Tapping Screw | | -,- | 1 | 10 |
| 23 | 2 910 611 020 | Tapping Screw DIN 7981-ST3,9x19-C-H | | -,- | 2 | 11 |
| 24 | 2 916 650 006 | Retaining clip DIN 471-15x1-FSt | | -,- | 1 | 11 |
| 37 | 2 603 490 017 | Torx Oval-Head Screw 3x10 | | -,- | 2 | 10 |
| 40 | 2 609 100 247 | Air-Deflector Ring | | -,- | 1 | 13 |
| 41 | 2 609 120 153 | connecting terminal | | -,- | 1 | 11 |
| 42 | 2 609 110 297 | Contact Strap | | -,- | 1 | 10 |
| 43 | 2 609 120 173 | End cap | | -,- | 1 | 11 |
| 52 | 2 609 110 245 | Pressure Spindle | | -,- | 1 | 11 |
| 53 | 2 609 110 246 | Spring Plate | | -,- | 1 | 10 |
| 60 | 2 609 100 420 | Housing Cover | | -,- | 1 | 21 |
| 61 | 2 609 130 914 | Manufacturer's nameplate | | -,- | 1 | 15 |
| 90 | 2 609 110 741 | Plate | | -,- | 1 | 15 |
| 91 | 2 609 100 248 | Button | | -,- | 1 | 11 |
| 92 | 2 609 110 255 | Compression Spring | | -,- | 1 | 10 |
| 93 | 2 609 110 480 | Cover Plate | | -,- | 1 | 11 |
| 94 | 2 609 110 367 | Screw M 3x6 | | -,- | 1 | 10 |

| Item | Part Number | Description | Illustration | Price | Quantity | Price Group |
|---------|---------------|--|--------------|-------|----------|-------------|
| 661 | 2 609 110 786 | Single-Head Eng. Wrench SW 10 | 1 | -,- | 1 | 20 |
| 802 | 2 610 008 119 | Stator 120V | 1 | -,- | 1 | 37 |
| 803 | 2 610 008 120 | Armature 120V | 1 | -,- | 1 | 40 |
| 810 | 2 610 008 121 | Carbon-Brush Set | 1 | -,- | 1 | 24 |
| 830 | 2 610 008 122 | Collet | 1 | -,- | 1 | 23 |
| 850 | 2 610 008 123 | Bearing Flange | 1 | -,- | 1 | 33 |
| 854 | 2 609 199 054 | Base | 2 | -,- | 1 | 46 |
| 854/2 | 2 609 100 387 | Base Plate | 2 | -,- | 1 | 23 |
| 854/3 | 2 609 110 378 | Shaft | 2 | -,- | 1 | 24 |
| 854/4 | 2 609 110 379 | Toothed Belt Wheel | 2 | -,- | 1 | 15 |
| 854/5 | 2 609 110 380 | Toothed Belt Wheel | 2 | -,- | 1 | 17 |
| 854/6 | 2 609 170 038 | V-Belt | 2 | -,- | 1 | 21 |
| 854/7 | 2 609 100 386 | Cover | 2 | -,- | 1 | 21 |
| 854/8 | 2 609 110 381 | Spring | 2 | -,- | 1 | 10 |
| 854/9 | 2 609 110 382 | Button | 2 | -,- | 1 | 11 |
| 854/10 | 2 910 861 126 | Countersunk-Head Screw | 2 | -,- | 3 | 10 |
| 854/11 | 2 609 170 047 | Cover | 2 | -,- | 1 | 11 |
| 854/12 | 2 609 110 606 | Ball Bearing | 2 | -,- | 2 | 23 |
| 854/13 | 2 609 110 462 | Spring retaining ring | 2 | -,- | 1 | 19 |
| 854/15 | 2 609 100 389 | Cover | 2 | -,- | 1 | 20 |
| 854/20 | 2 609 110 505 | Nut | 2 | -,- | 1 | 12 |
| 854/21 | 2 609 110 557 | Protection Plate | 2 | -,- | 1 | 17 |
| 854/32 | 2 609 199 041 | Clamping Lever | 2 | -,- | 1 | 17 |
| 854/34 | 2 609 110 289 | Hex Nut | 2 | -,- | 1 | 10 |
| 854/35 | 2 609 110 282 | Conical Spring Washer | 2 | -,- | 1 | 10 |
| 854/36 | 2 609 110 290 | Washer | 2 | -,- | 1 | 10 |
| 855 | 2 610 008 115 | Base | 2 | -,- | 1 | 43 |
| 855/2 | 2 609 110 372 | Base Plate | 2 | -,- | 1 | 18 |
| 855/3 | 2 609 100 381 | Base | 2 | -,- | 1 | 19 |
| 855/4 | 2 609 110 455 | Pin | 2 | -,- | 2 | 10 |
| 855/5 | 2 600 590 006 | Ratchet Cap | 2 | -,- | 1 | 11 |
| 855/6 | 2 609 199 008 | Wing Nut | 2 | -,- | 2 | 11 |
| 855/7 | 2 910 281 201 | Round-Head Bolt DIN 603-M6x20 | 2 | -,- | 2 | 10 |
| 855/9 | 2 609 110 483 | Pin | 2 | -,- | 1 | 10 |
| 855/16 | 2 916 011 014 | Plain Washer DIN 125-A 6,4-ST | 2 | -,- | 2 | 10 |
| 855/21 | 2 609 110 347 | Screw | 2 | -,- | 4 | 10 |
| 855/32 | 2 609 199 041 | Clamping Lever | 2 | -,- | 1 | 17 |
| 855/34 | 2 609 110 289 | Hex Nut | 2 | -,- | 1 | 10 |
| 855/35 | 2 609 110 282 | Conical Spring Washer | 2 | -,- | 2 | 10 |
| 855/36 | 2 609 110 290 | Washer | 2 | -,- | 1 | 10 |
| 855/51 | 2 609 110 241 | Screw | 2 | -,- | 1 | 13 |
| 855/54 | 2 609 110 306 | Compression Spring DIN 17223, 2076 GRADE B | 2 | -,- | 1 | 10 |
| 856 | 2 610 008 116 | Base | 3 | -,- | 1 | 30 |
| 856/2 | 2 609 110 457 | Adjusting Cam | 3 | -,- | 1 | 10 |
| 856/3 | 2 609 110 458 | Screw | 3 | -,- | 2 | 10 |
| 856/4 | 2 609 110 459 | Adjusting Wrench | 3 | -,- | 1 | 12 |
| 856/7 | 2 609 110 279 | Hexagon-Socket Key | 3 | -,- | 1 | - |
| 857 | 2 610 008 113 | Edge Guide | 3 | -,- | 1 | 29 |
| 857/656 | 2 609 110 364 | Screw | 3 | -,- | 1 | 10 |
| 857/657 | 2 609 199 008 | Wing Nut | 3 | -,- | 1 | 11 |
| 857/659 | 2 609 100 568 | Knurled Thumbscrew | 3 | -,- | 1 | 14 |
| 857/662 | 2 916 011 014 | Plain Washer DIN 125-A 6,4-ST | 3 | -,- | 2 | 10 |
| 858 | 2 610 008 117 | Edge Guide | 3 | -,- | 1 | 36 |

| Item | Part Number | Description | Illustration | Price | Quantity | Price Group |
|---------|---------------|--|--------------|-------|----------|-------------|
| 859 | 2 609 199 063 | Edge Guide | 3 | -,- | 1 | 22 |
| 860 | 2 609 199 102 | Base | 1 | -,- | 1 | 38 |
| 860/32 | 2 609 199 041 | Clamping Lever | 1 | -,- | 1 | 17 |
| 860/34 | 2 609 110 289 | Hex Nut | 1 | -,- | 1 | 10 |
| 860/35 | 2 609 110 282 | Conical Spring Washer | 1 | -,- | 2 | 10 |
| 860/36 | 2 609 110 290 | Washer | 1 | -,- | 1 | 10 |
| 860/51 | 2 609 110 241 | Screw | 1 | -,- | 1 | 13 |
| 860/54 | 2 609 110 306 | Compression Spring DIN 17223, 2076 GRADE B | 1 | -,- | 1 | 10 |
| 860/55 | 2 600 100 621 | Shim 0,2 MM | 1 | -,- | 1 | 11 |
| 860/70 | 2 609 110 307 | Base Plate | 1 | -,- | 1 | 32 |
| 860/71 | 2 609 110 283 | Bolt | 1 | -,- | 1 | 12 |
| 860/880 | 2 610 008 124 | Base Plate | 1 | -,- | 1 | 23 |
| 863 | 2 609 110 438 | Single-Head Eng. Wrench SW 17 | 3 | -,- | 1 | 18 |
| 864/1 | 2 609 100 383 | Base Plate | 3 | -,- | 1 | 29 |
| 864/2 | 2 609 100 423 | Handle | 3 | -,- | 1 | 15 |
| 864/3 | 2 609 100 140 | Cap-Handle | 3 | -,- | 1 | 15 |
| 864/4 | 2 609 110 607 | Screw | 3 | -,- | 1 | 12 |
| 864/5 | 2 609 110 548 | Nut | 3 | -,- | 1 | 12 |
| 865 | 2 609 199 114 | Knurled Thumbscrew | 3 | -,- | 2 | 21 |
| 866 | 2 609 199 100 | Screw | 3 | -,- | 2 | 11 |
| 868 | 2 609 110 553 | Screw | 3 | -,- | 4 | 10 |
| 869 | 2 610 907 746 | Adapter | 3 | -,- | 1 | 20 |
| 870 | 2 609 100 384 | Dust Chamber | 3 | -,- | 1 | 20 |
| 871 | 2 609 100 385 | Chute | 3 | -,- | 1 | 21 |

Illustration - Type E

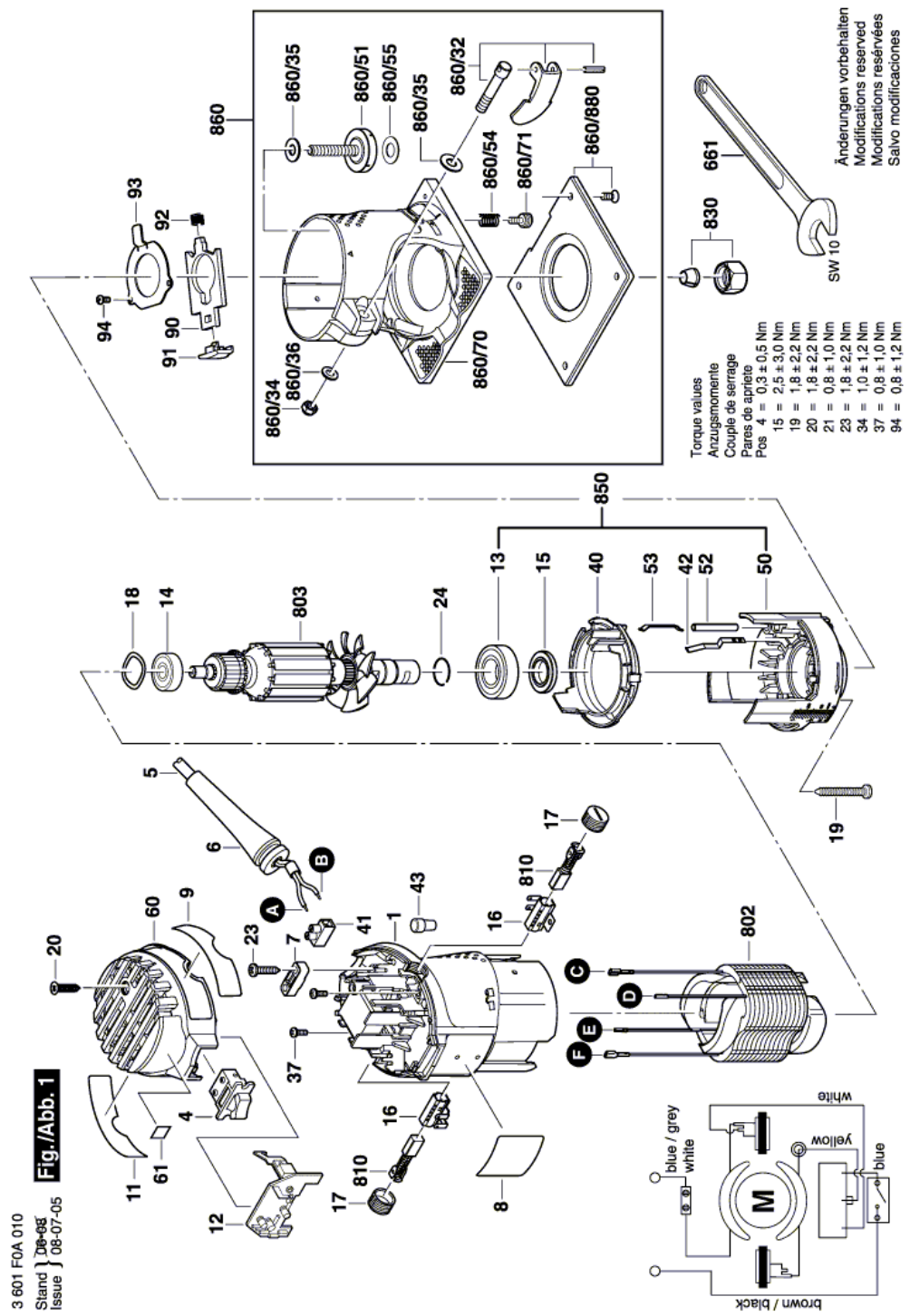
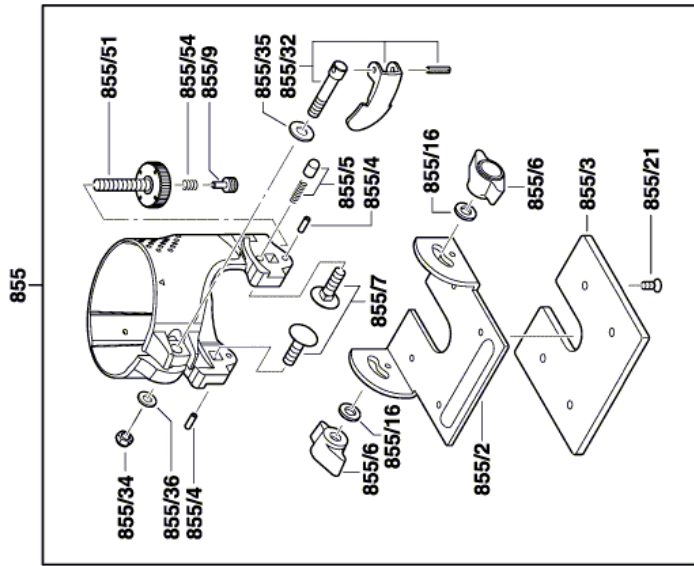
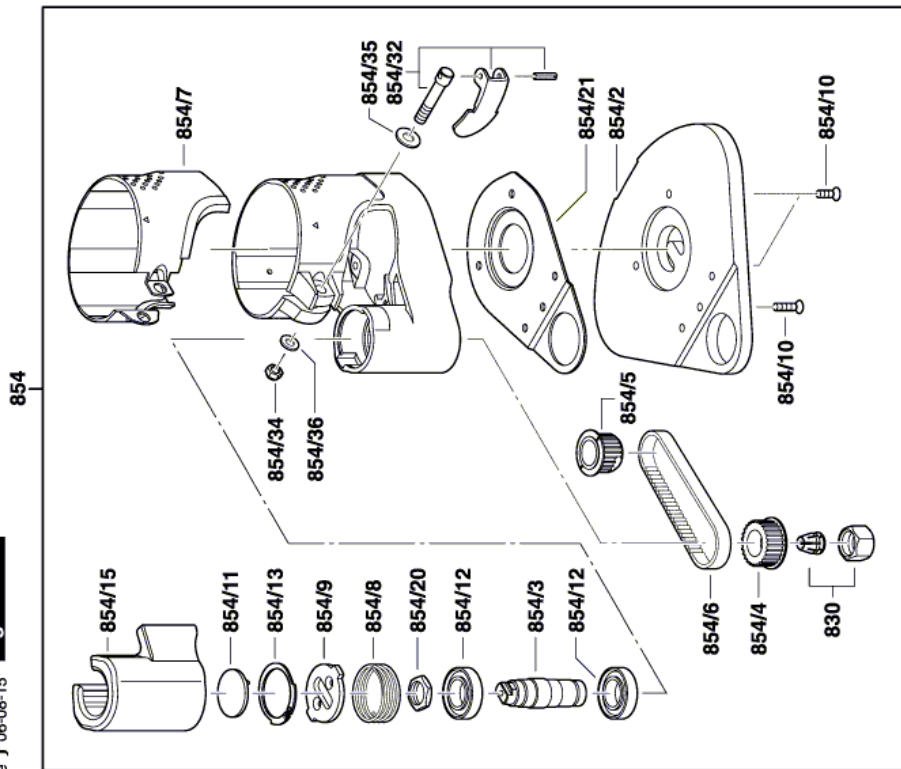


Illustration - Type E

3 601 FOA 010
Stand } 06-08
Issue } 06-08-15

Fig./Abb. 2

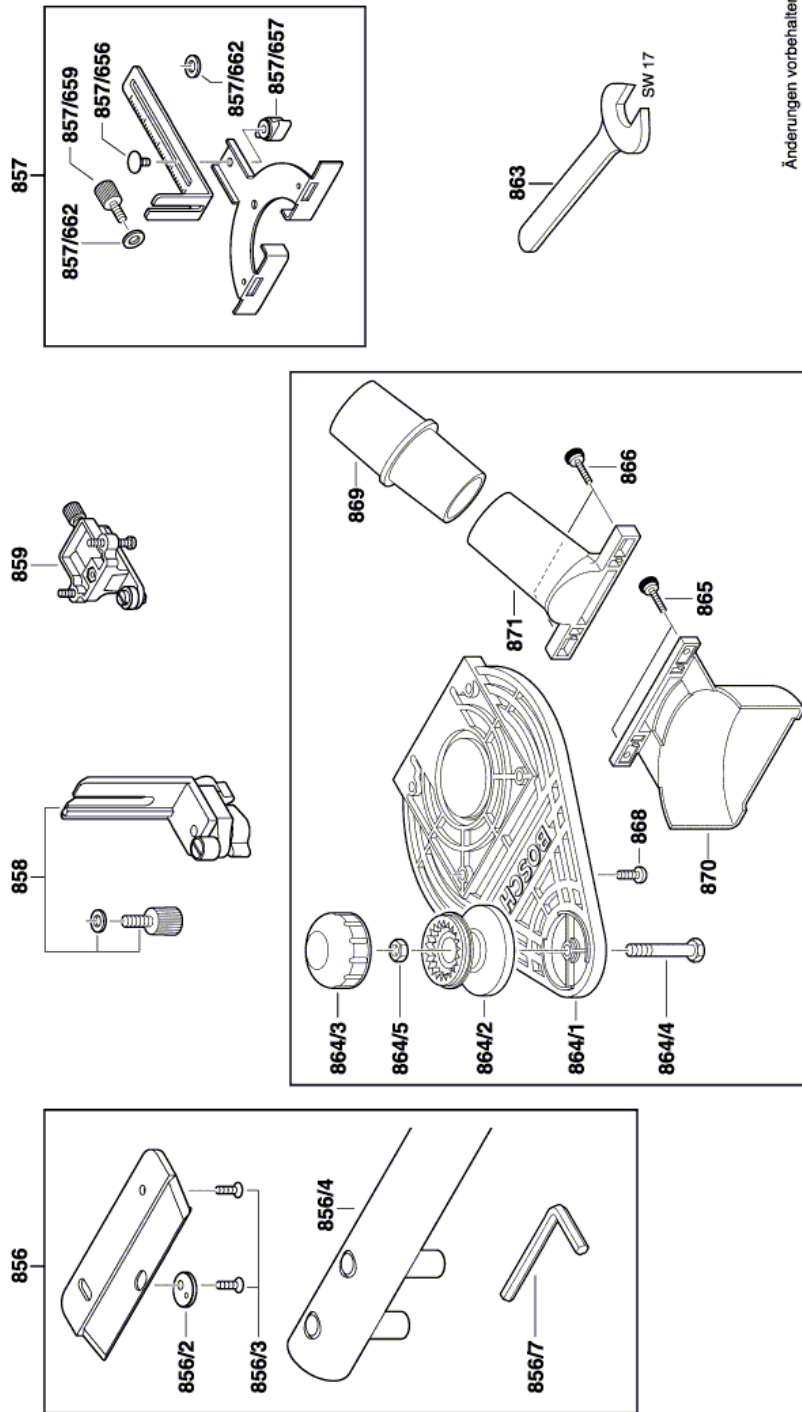


Änderungen vorbehalten
Modifications reserved
Modificacions reservées
Salvo modificaciones

Illustration - Type E

3 601 F0A 010
 Stand } 07-10
 Issue } 08-07-05

Fig./Abb. 3



Information subject to change without further notice.