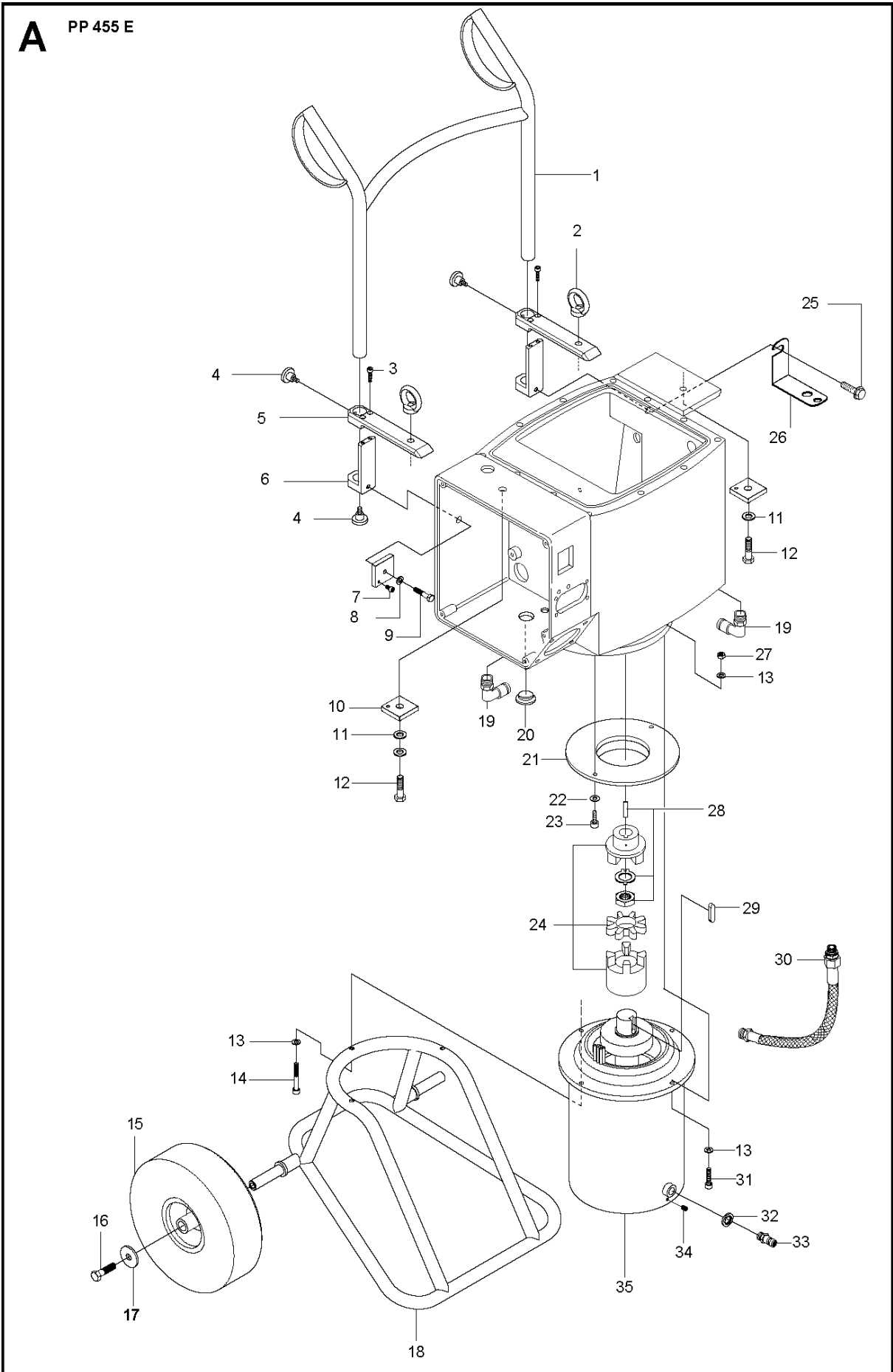




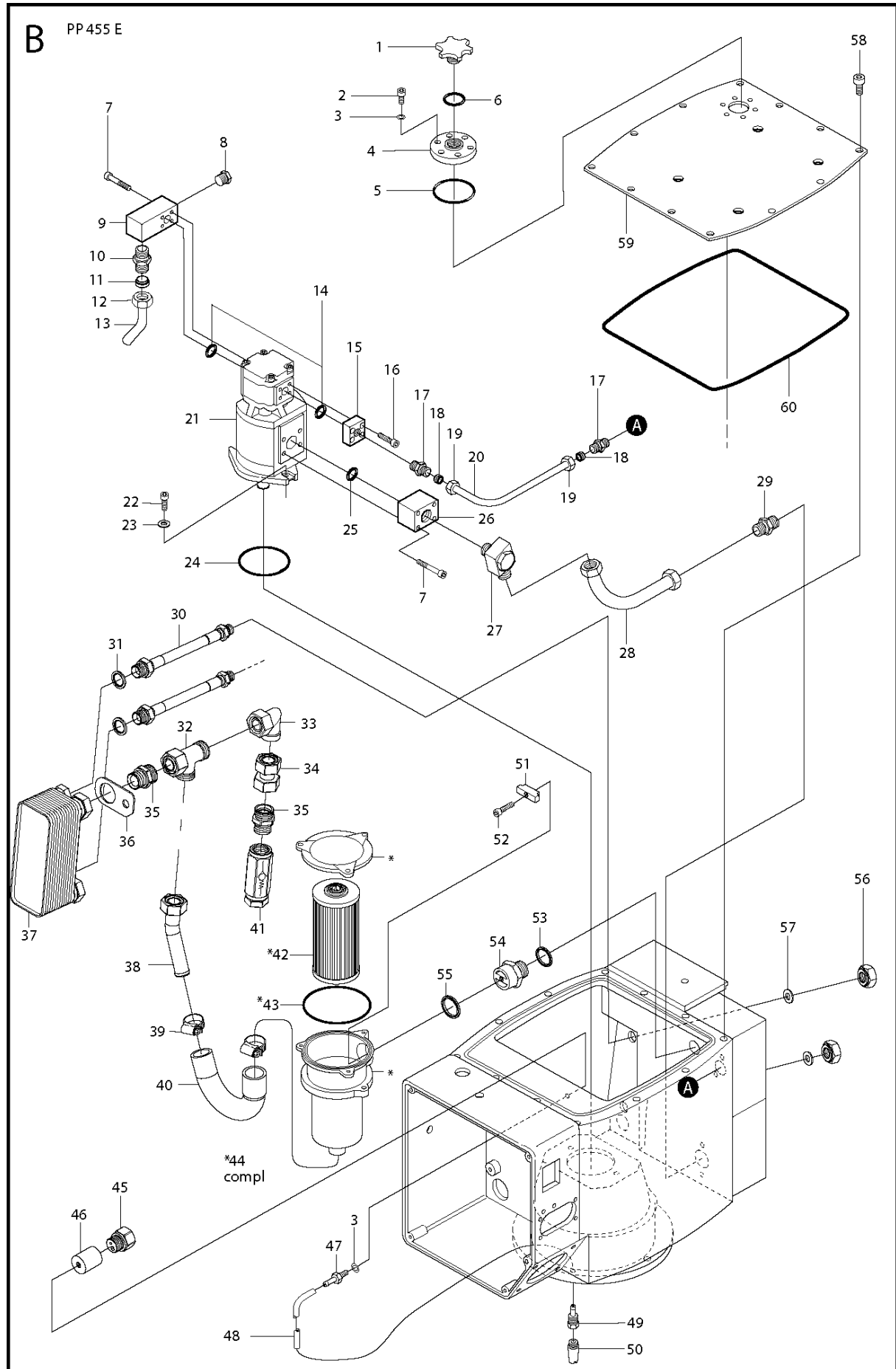
SPARE PARTS LIST

POWER PACKS

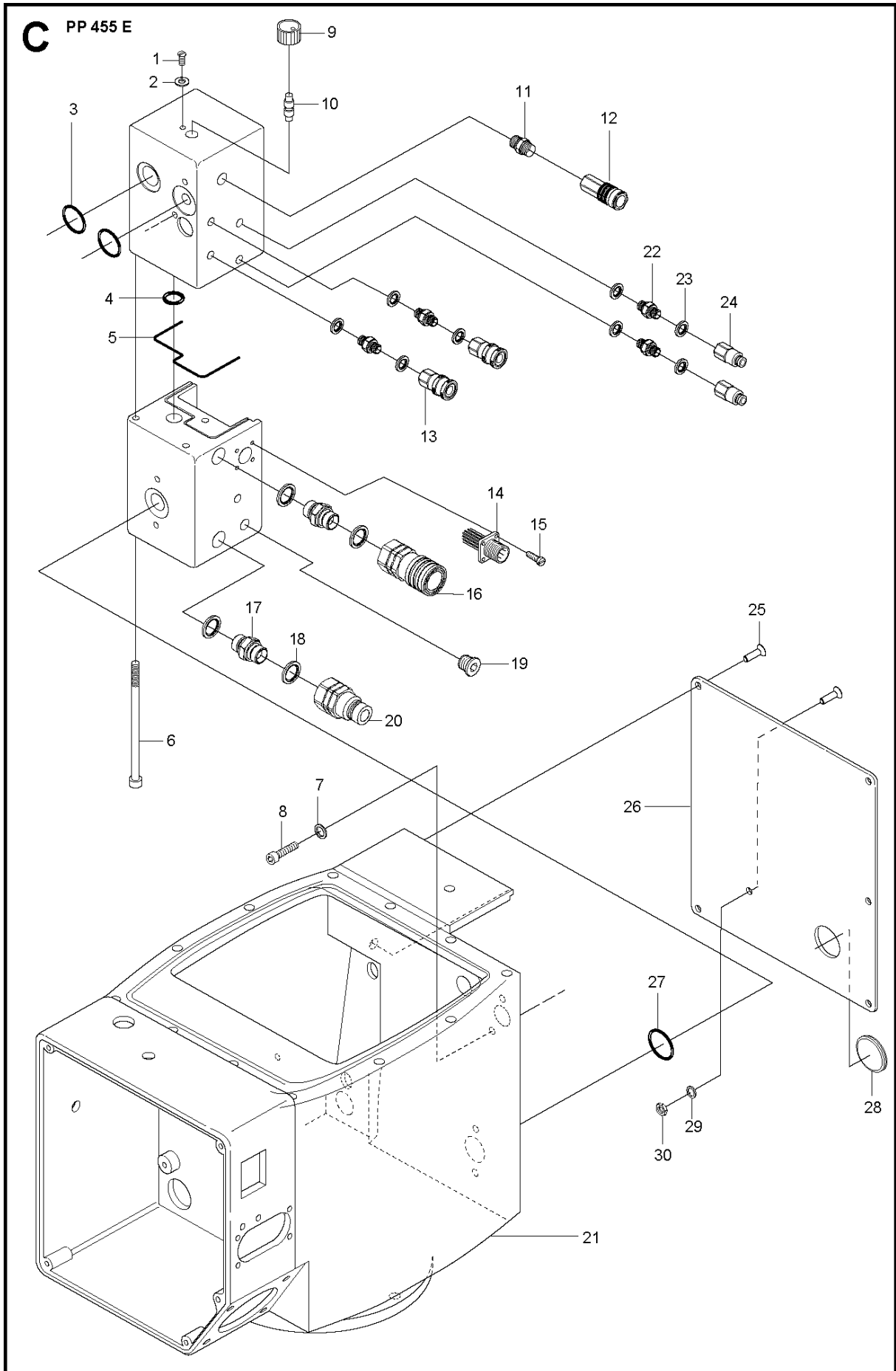
PP 455 E, 2013-05



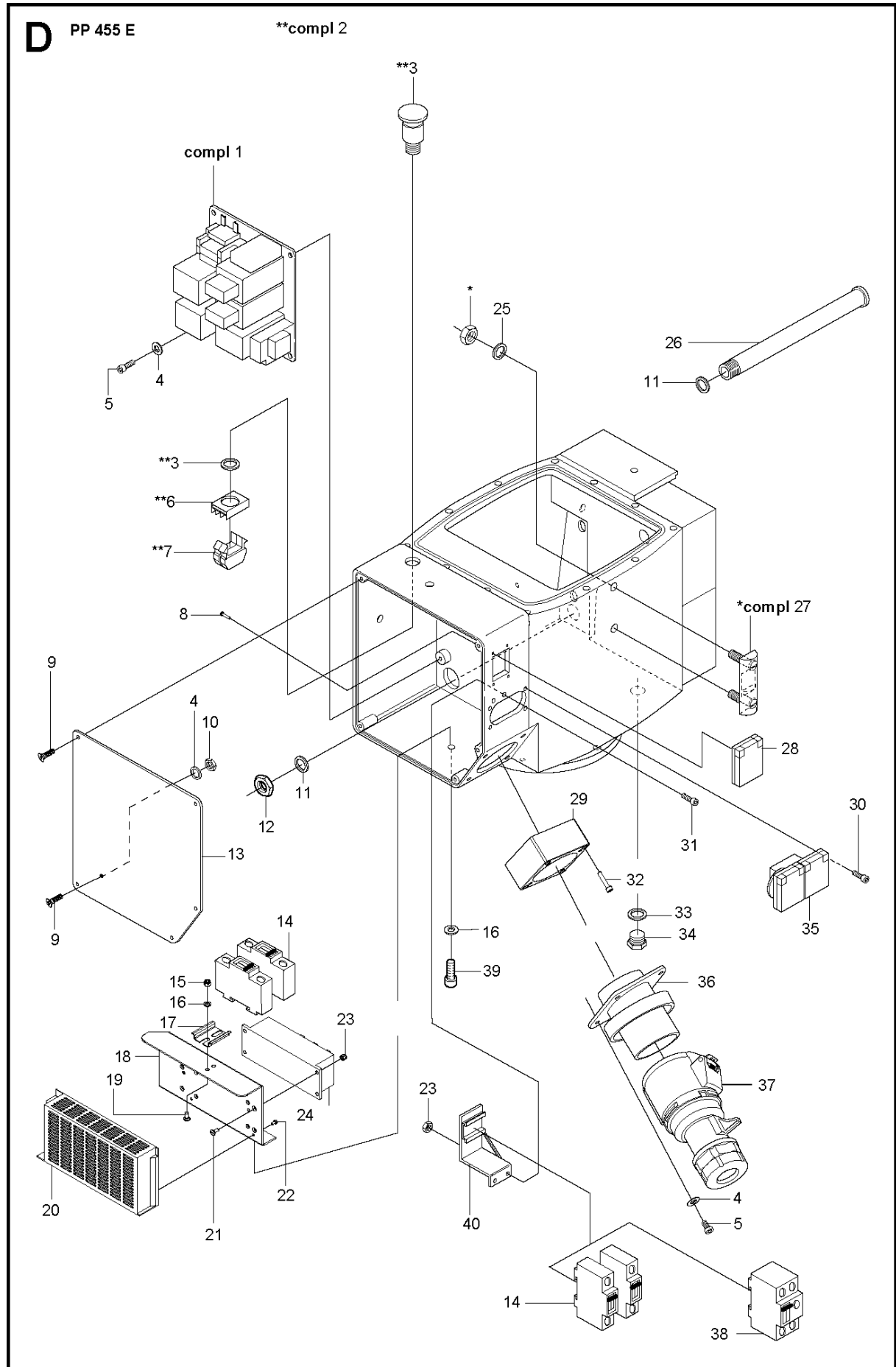
Ref	Part No	Description	Remark	QTY KIT
1	531 14 21-19	HANDLE		1
2	531 11 95-13	EYE BOLT		2
3	725 53 74-55	SCREW IHSCM		4
4	531 11 94-56	SCREW		4
5	531 14 21-18	MOUNT		2
6	531 14 21-20	MOUNT		2
7	725 53 64-01	SCREW IHSCM		2
8	522 67 55-01	WASHER		1
9	506 57 01-05	SCREW EHHFM		1
10	531 14 20-54	PLATE		3
11	531 11 91-83	WASHER		3
12	531 11 92-07	SCREW		2
13	734 11 63-01	WASHER		12
14	725 24 63-71	SCREW EHHM		3
15	531 11 90-07	WHEEL		2
16	531 11 92-02	SCREW		2
17	531 11 90-31	WASHER		2
18	531 14 21-12	CHASSIS		1
19	531 11 81-21	COUPLING		2
20	531 11 73-64	CAP		1
21	531 14 20-04	BEARING COVER		1
22	734 11 52-01	WASHER		2
23	725 53 68-01	SCREW IHSCM		2
24	531 11 51-68	COUPLING		1
25	506 57 01-05	SCREW EHHFM		1
26	531 14 20-82	BRACKET		1
27	731 23 18-01	HEXAGON NUT		4
28	531 11 96-06	LOCK NUT		1
29	531 11 92-99	KEY		1
30	531 14 21-26	HOSE KIT		1
31	531 11 92-20	SCREW		1
32	740 38 27-01	SEALING WASHER		1
33	531 11 83-55	NIPPLE		1
34	728 73 60-05	SCREW IHSETM		1
35	501 36 87-02	ELECTRIC BOX	230V	1
35	501 36 87-03	ELECTRIC MOTOR	575V	1
35	501 36 87-04	MOTOR	200V	1
35	501 36 87-01	ELECTRIC BOX	400V	1



Ref	Part No	Description	Remark	QTY	KIT
1	531 14 20-52	LOCK		1	
2	531 11 93-53	SCREW		6	
3	740 38 08-01	SEALING WASHER		7	
4	531 14 20-53	ARM		1	
5	531 11 93-54	O-RING		1	
6	740 44 05-00	O-RING		1	
7	725 53 78-01	SCREW IHSCM		8	
8	531 11 93-41	PLUG		1	
9	531 14 20-19	BLOCK		1	
10	531 11 80-56	QUICK COUPLING		1	
11	531 11 80-25	RING		1	
12	531 11 80-68	NUT		1	
13	531 14 20-43	PIPE		1	
14	740 43 13-00	O-RING		2	
15	531 14 20-18	BLOCK		1	
16	725 53 70-01	SCREW IHSCM		4	
17	531 11 81-32	COUPLING		2	
18	531 11 80-23	RING		2	
19	531 11 81-88	NUT		2	
20	531 14 20-45	PRESSURE PIPE		1	
21	531 11 82-81	HYDRAULIC PUMP	50Hz	1	
21	531 11 82-83	PUMP	60Hz	1	
22	725 54 93-01	SCREW IHSCM		2	
23	531 11 91-81	WASHER		2	
24	598 51 41-01	O-RING		1	
25	740 44 04-00	O-RING		1	
26	531 14 20-20	BLOCK		1	
27	531 11 81-38	FITTING		1	
28	531 11 51-57	OIL PIPE		1	
29	531 11 81-33	COUPLING		1	
30	531 11 83-45	HOSE		2	
31	531 11 91-85	SEALING RING		2	
32	531 11 83-43	COUPLING		1	
33	531 11 83-44	COUPLING		1	
34	531 11 52-36	PIPE		1	
35	531 11 81-34	COUPLING		2	
36	531 14 21-45	PLATE		1	
37	531 11 83-41	COOLER		1	
38	531 11 52-35	PIPE		1	
39	531 11 91-31	CLAMP		2	
40	531 14 21-10	HOSE		1	
41	531 11 83-42	CHECK VALVE		1	
42	531 11 81-42	FILTER		1	44
43	531 11 92-95	O-RING		1	44
44	531 14 20-32	FILTER HOUSING		1	
45	575 71 68-01	BREATHER		1	
46	575 71 67-01	HOUSING		1	
47	531 14 11-67	NIPPLE		1	
48	531 11 90-08	VENTILATING HOSE	(350mm)	1	
49	531 14 11-68	NIPPLE		1	
50	531 11 90-30	AIR FILTER		1	
51	531 14 20-10	MOUNT		1	
52	725 53 33-55	SCREW IHSCM		1	
53	531 11 95-25	SEALING RING		1	
54	531 14 20-09	BRACKET		1	
55	531 11 93-49	SEALING RING		1	
56	531 14 20-21	CONNECTION		2	
57	740 38 34-01	SEALING WASHER		2	
58	531 11 92-32	SCREW		12	
59	501 36 93-01	TANK CAP		1	
60	531 11 91-34	O-RING		1	



Ref	Part No	Description	Remark	QTY KIT
1	723 12 87-01	SCREW SLCHM		1
2	734 11 46-01	WASHER		1
3	531 11 92-74	O-RING		2
4	740 44 04-00	O-RING		1
5	531 11 91-33	O-RING		1
6	531 11 92-33	SCREW		3
7	740 38 08-01	SEALING WASHER		4
8	725 53 68-01	SCREW IHSCM		4
9	531 11 70-97	KNOB		1
10	531 11 50-20	VALVE		1
11	531 11 83-56	ADAPTER		1
12	531 11 82-19	QUICK COUPLING		1
13	531 11 80-45	HYDRAULIC CYLINDER		2
14	531 11 72-68	CONNECTOR	With kabel	1
15	723 12 24-01	SCREW SLCHM		4
16	531 11 80-41	HYDRAULIC CYLINDER		1
17	531 11 82-00	ADAPTER		2
18	531 11 91-85	SEALING RING		4
19	531 11 93-41	PLUG		1
20	531 11 80-42	HYDRAULIC CYLINDER		1
21	501 36 89-01	HYDRAULIC TANK		1
22	531 11 83-37	ADAPTER		4
23	740 38 18-01	SEALING WASHER		8
24	531 11 80-46	HYDRAULIC CYLINDER		2
25	725 63 66-51	SCREW IHCSFM		6
26	505 23 80-01	PROTECTIVE PLATE		1
27	740 44 12-00	O-RING		1
28	510 36 18-01	PLUG		1
29	734 11 52-01	WASHER		1
30	731 23 16-01	HEXAGON NUT		1



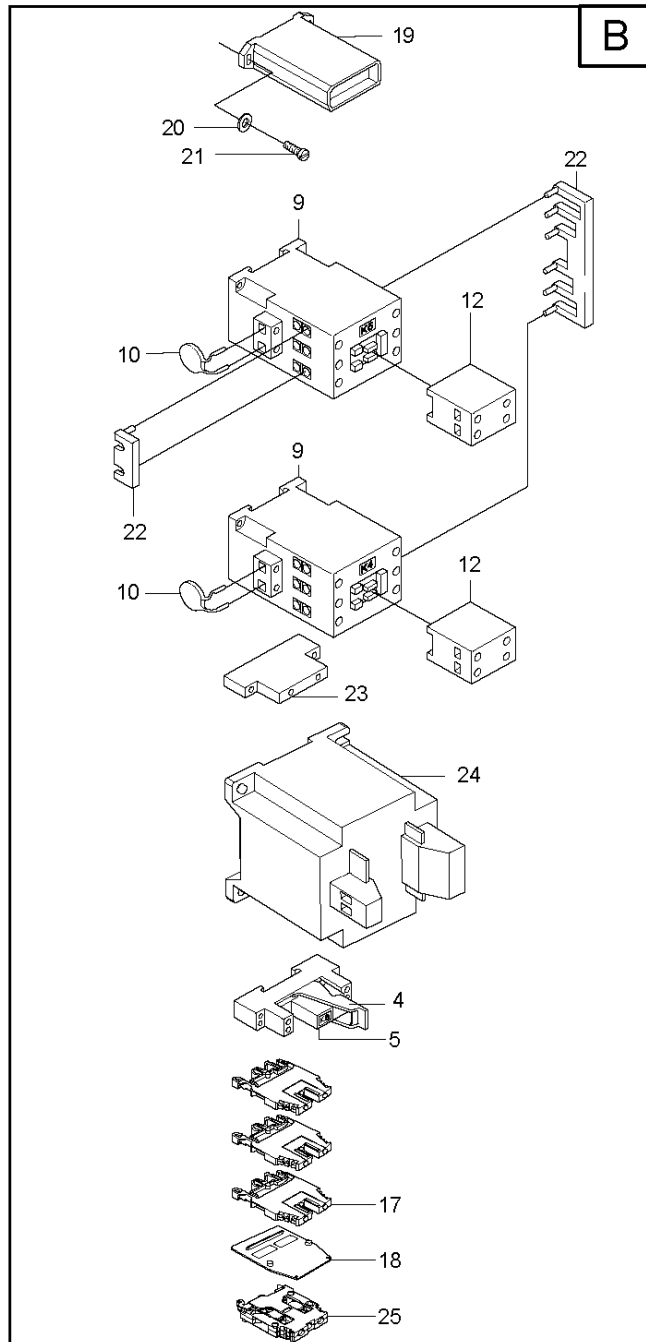
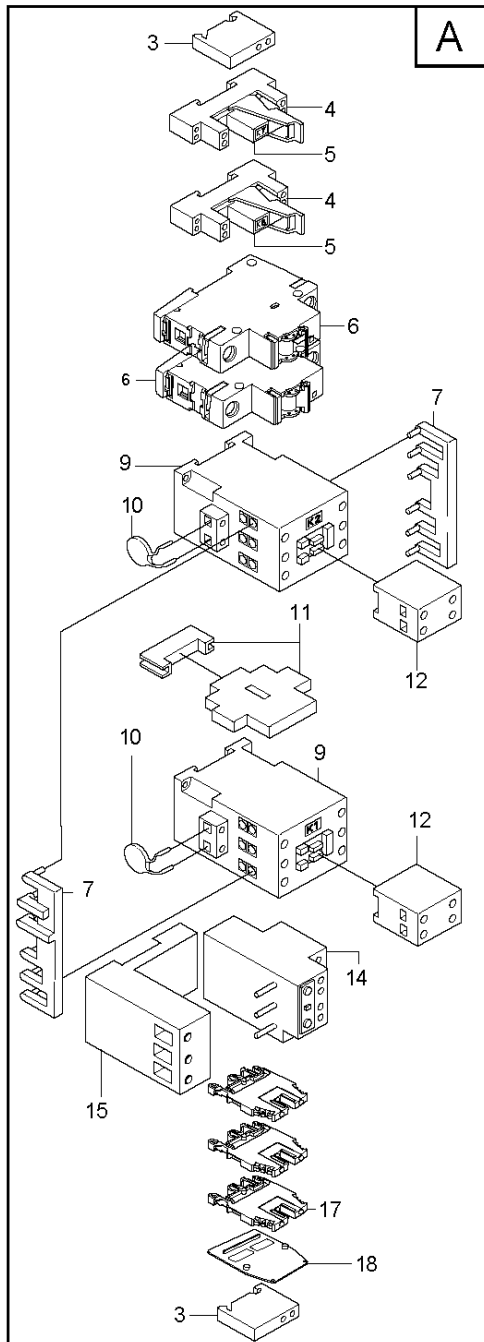
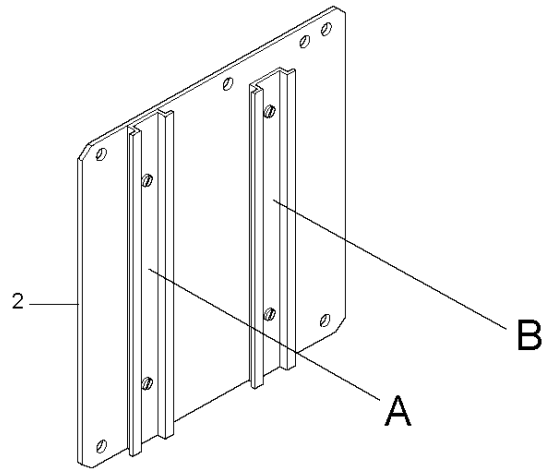
ELECTRICAL

PP 455 E, 2013-05

Ref	Part No	Description	Remark	QTY	KIT
1	531 11 51-40	PLATE	Compl. EUR 400V	1	
1	579 47 47-01	ELECTRICAL SYSTEM	Compl. US 440V	1	
1	531 11 51-63	PLATE	Compl. CAN 600V	1	
1	531 11 51-22	EL. PLATE COMPL. 230/400V NO	Compl. NOR 230V/400V	1	
1	531 11 51-71	EL. PLATE COMPL. 200V JAPAN	Compl. JAP 200V	1	
2	505 52 03-01	SWITCH	Compl.	1	
3	505 46 11-01	SWITCH		2	2
4	734 11 52-01	WASHER		9	
5	725 53 68-01	SCREW IHSCM		8	
6	505 46 12-01	ADAPTER		1	2
7	505 46 13-01	CONTACT		2	2
8	506 60 67-01	SCREW		4	
9	725 63 66-51	SCREW IHCSFM		6	
10	731 23 16-01	HEXAGON NUT		1	
11	531 11 95-25	SEALING RING		2	
12	531 11 81-76	NUT		1	
13	501 36 92-01	PROTECTIVE PLATE		1	
14	531 11 72-20	FUSE	ONLY WITH 230V OUTLET	4	
15	732 25 14-01	HEXAGON LOCKING NUT		2	
16	734 11 46-01	WASHER		4	
17	531 11 70-36	GUIDE RAIL		1	
18	531 14 20-55	BRACKET		1	
19	723 53 25-01	SCREW SLCSFM		2	
20	531 11 71-40	TRANSFORMER		1	
21	723 52 89-01	SCREW SLCSFM		4	
22	725 52 20-01	SCREW IHSCM		4	
23	732 25 12-01	HEXAGON LOCKING NUT		6	
24	531 14 21-06	MODULE		1	
25	740 38 18-01	SEALING WASHER		2	
26	531 14 20-23	CABLE SLEEVE		1	
27	531 11 80-51	GAUGE	Compl.	1	
28	505 52 67-01	SHUTTER		1	
29	531 14 21-43	ADAPTER	ONLY ON 200V	1	
30	723 12 91-01	SCREW SLCHM		4	
31	723 52 92-01	SCREW SLCSFM		2	
32	725 53 74-01	SCREW IHSCM		2	
33	531 11 91-85	SEALING RING		1	
34	531 11 81-13	PLUG		1	
35	531 11 71-54	SOCKET 230V DOUBLE	ONLY WITH 230V OUTLET	1	
36	531 11 70-59	INLET	230/400/440V	1	
36	531 11 72-65	INLET	600V	1	
36	531 11 72-75	ELECTRIC INLET 220V/125A JPN	200V	1	
37	531 11 71-94	SOCKET	230V	1	
37	531 11 72-66	SOCKET	600V	1	
37	531 11 72-85	SOCKET	200V	1	
37	531 11 71-32	SOCKET	AUS-US/CAN 440V	1	
38	531 11 72-08	GUARD	ONLY WITH 230V OUTLET	1	
39	725 53 31-01	SCREW IHSCM		2	
40	531 14 20-28	FUSE HOLDER		1	

E PP 455 E
 Electric plate
 compl — 1

See electric wiring diagram
 for cable dimensions etc.



ELECTRICAL

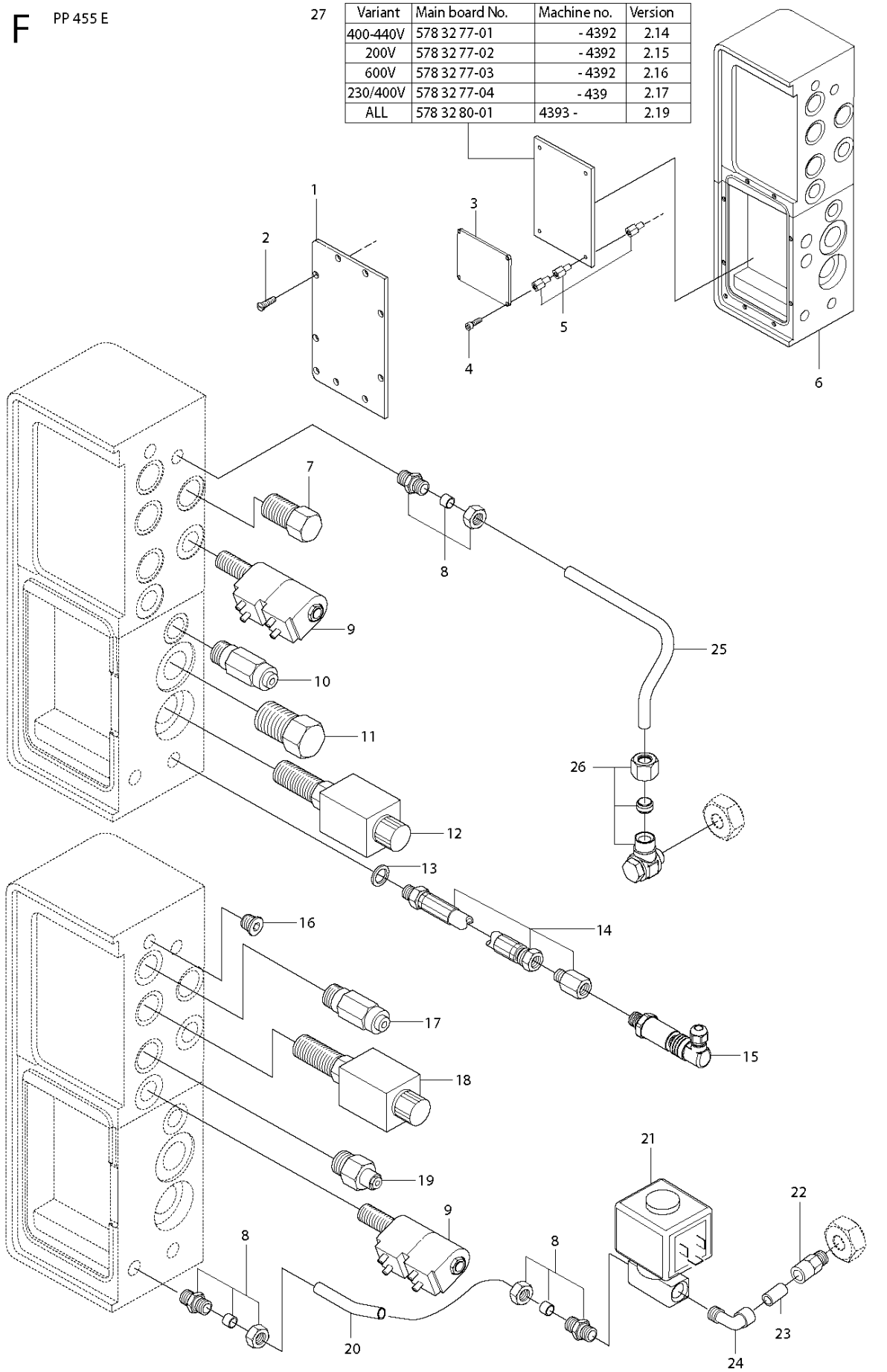
PP 455 E, 2013-05

Ref	Part No	Description	Remark	QTY KIT
1	531 11 51-40	PLATE	EUR 400V	1
1	579 47 47-01	ELECTRICAL SYSTEM	US 440V	1
1	531 11 51-71	EL. PLATE COMPL. 200V JAPAN	JAP 200V	1
1	531 11 51-63	PLATE	CAN 600V	1
1	531 11 51-22	EL. PLATE COMPL. 230/400V NO	NOR 230/400V	1
2	531 14 20-29	PLATE		1
3	531 11 71-74	SUPPORT		2
4	531 11 72-18	SOCKET		3
5	531 11 71-02	RELAY		3
6	531 11 72-20	FUSE		2
7	531 11 70-56	CONNECTOR		2
9	531 11 71-84	CONTACTOR	200V, A	2
9	531 11 73-06	CONTACTOR	200V, B	2
9	531 11 70-68	CONTACTOR		4
10	531 11 71-45	VARIATOR		4
11	531 11 71-68	LOCK		1
12	531 11 70-55	CONTACT		4
14	504 69 48-01	ENGINE PROTECTION	JAP 200V, NOR 230/400V, CAN 600V	1
14	504 69 48-02	RELAY	EUR 400V, US 480V	1
15	504 69 51-01	ATTACHING BASE	JAP 200V, CAN 600V	1
15	504 69 51-02	BASE	EUR 400V, US 480V	1
17	531 11 71-00	BLOCK		8
18	531 11 71-73	PLATE		2
19	579 47 45-01	RELAY	480V	1
19	531 11 70-38	DOUBLE PHASE SEQUENCE S	400V	1
19	531 11 72-64	RELAY	600V	1
19	531 11 72-84	RELAY	200V	1
20	734 11 46-01	WASHER		2
21	723 13 28-01	SCREW SLCHM		2
22	531 11 70-57	CONNECTOR		2
23	531 11 70-54	CONTACT		1
24	531 11 72-50	TRANSFORMER	NOT ON 200V, 230/400V	1
25	531 11 71-01	BLOCK		1

F PP 455 E

27

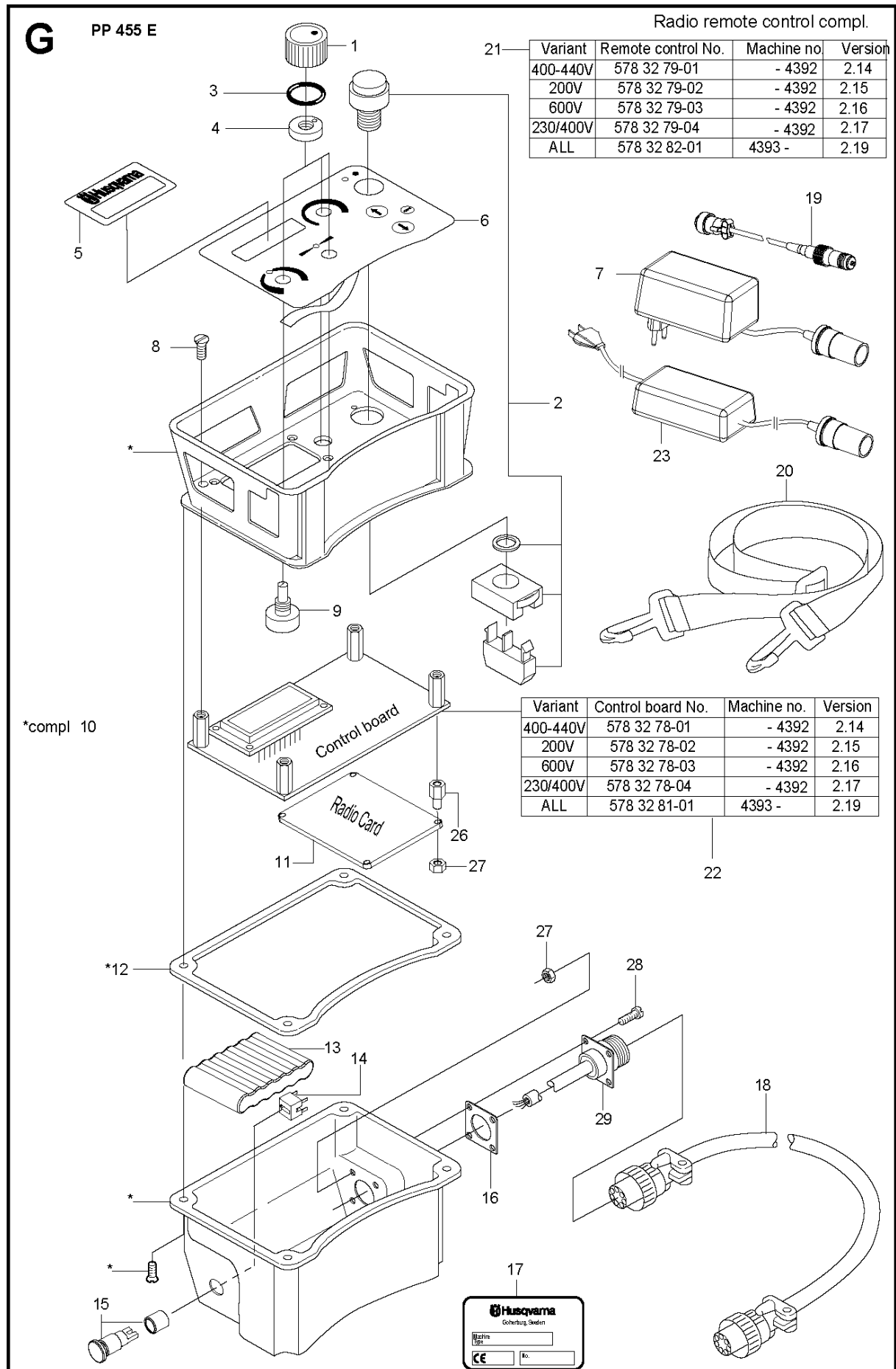
Variant	Main board No.	Machine no.	Version
400-440V	578 32 77-01	- 4392	2.14
200V	578 32 77-02	- 4392	2.15
600V	578 32 77-03	- 4392	2.16
230/400V	578 32 77-04	- 439	2.17
ALL	578 32 80-01	4393 -	2.19



VALVES

PP 455 E, 2013-05

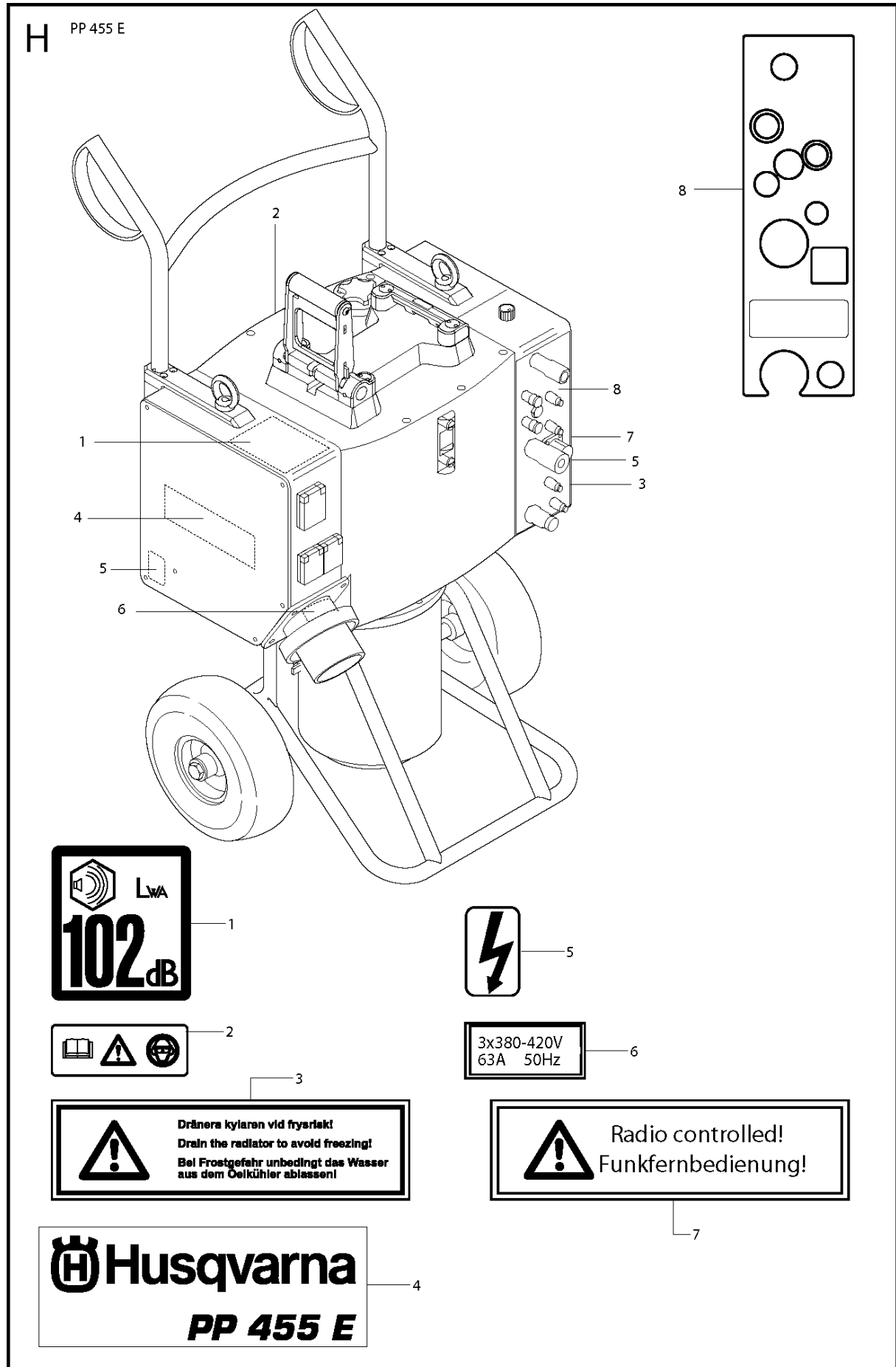
Ref	Part No	Description	Remark	QTY KIT
1	578 23 20-01	LID		1
2	723 52 89-01	SCREW SLCSFM		8
3	574 02 85-01	PRINTED CIRCUIT ASSY		1
4	725 52 20-01	SCREW IHSCM		2
5	531 11 93-85	SPACER		8
6	501 36 94-01	BLOCK		1
7	531 11 81-27	CONTROL		1
8	531 11 81-19	COUPLING		3
9	531 11 81-24	VALVE		2
10	531 11 82-57	VALVE		1
11	531 11 81-28	CONTROL		1
12	531 11 81-26	VALVE		1
13	740 38 27-01	SEALING WASHER		1
14	531 14 20-79	HOSE KIT		1
15	531 11 52-34	PRESSURE CHAMBER		1
16	531 11 93-41	PLUG		1
17	531 11 81-22	VALVE		1
18	531 11 81-25	VALVE		1
19	531 11 81-23	VALVE		1
20	531 14 21-46	TUBE		1
21	531 11 83-47	VALVE		1
22	531 11 81-20	COUPLING		1
23	531 11 81-90	HOSE KIT	(l=42 mm)	1
24	531 11 82-90	COUPLING		1
25	531 14 21-44	TUBE		1
26	531 11 83-46	COUPLING		1
27	578 32 77-01	PRINTED CIRCUIT ASSY	Variant 400-440V, Machine no - 4392, Version 2.14	1
27	578 32 77-02	PRINTED CIRCUIT ASSY	Variant 200V, Machine no - 4392, Version 2.15	1
27	578 32 77-03	PRINTED CIRCUIT ASSY	Variant 600V, Machine no - 4392, Version 2.16	1
27	578 32 77-04	PRINTED CIRCUIT ASSY	Variant 230/400V, Machine no - 439, Version 2.17	1
27	578 32 80-01	PRINTED CIRCUIT ASSY	Variant ALL, Machine no 4393 -, Version 2.19	1



REMOTE CONTROL

PP 455 E, 2013-05

Ref	Part No	Description	Remark	QTY	KIT
1	531 11 51-83	KNOB		3	
2	531 11 71-44	BUTTON		1	
3	740 42 17-00	O-RING		3	
4	531 14 20-13	NUT		3	
5	504 05 50-01	LABEL		1	
6	531 14 20-11	CONTROL PLATE		1	
7	531 11 72-54	BATTERY CHARGER		1	
8	723 52 22-01	SCREW SLCSFM		4	
9	531 11 70-96	CONTROL		3	
10	531 14 20-62	REMOTE CONTROL	compl.	1	
11	574 02 85-01	PRINTED CIRCUIT ASSY		1	
12	531 11 72-40	SEALING		1	10
13	531 11 72-53	BATTERY		1	
14	531 11 72-52	BLOCK		1	
15	531 11 72-51	SWITCH		1	
16	531 11 71-59	GASKET		1	
17	504 00 40-01	TYPE PLATE		1	
18	531 11 50-12	CABLE		1	
19	531 14 20-92	CABLE		1	
20	531 11 91-26	STRAP		1	
21	578 32 79-01	REMOTE CONTROL	Variant 400-400V, Machine no. -4392, Version 2.14	1	
21	578 32 79-02	REMOTE CONTROL	Variant 200V, Machine no. -4392, Version 2.15	1	
21	578 32 79-03	REMOTE CONTROL	Variant 600V, Machine no. -4392, Version 2.16	1	
21	578 32 79-04	REMOTE CONTROL	Variant 230/400V, Machine no. -4392, Version 2.17	1	
21	578 32 82-01	REMOTE CONTROL	Variant ALL, Machine no. 4393-, Version 2.19	1	
22	578 32 78-01	PRINTED CIRCUIT ASSY	Variant 400-400V, Machine no. -4392, Version 2.14	1	
22	578 32 78-02	PRINTED CIRCUIT ASSY	Variant 200V, Machine no. -4392, Version 2.15	1	
22	578 32 78-03	PRINTED CIRCUIT ASSY	Variant 600V, Machine no. -4392, Version 2.16	1	
22	578 32 78-04	PRINTED CIRCUIT ASSY	Variant 230/400V, Machine no. -4392, Version 2.17	1	
22	578 32 81-01	PRINTED CIRCUIT ASSY	Variant ALL, Machine no. 4393-, Version 2.19	1	
23	531 11 52-38	BATTERY CHARGER		1	
26	531 11 93-85	SPACER		4	
27	731 23 10-01	HEXAGON NUT		8	
28	723 12 24-01	SCREW SLCHM		1	
29	531 11 70-34	CONNECTOR		1	



H PP 455 E

1

2

5

6

3x380-420V
63A 50Hz

3

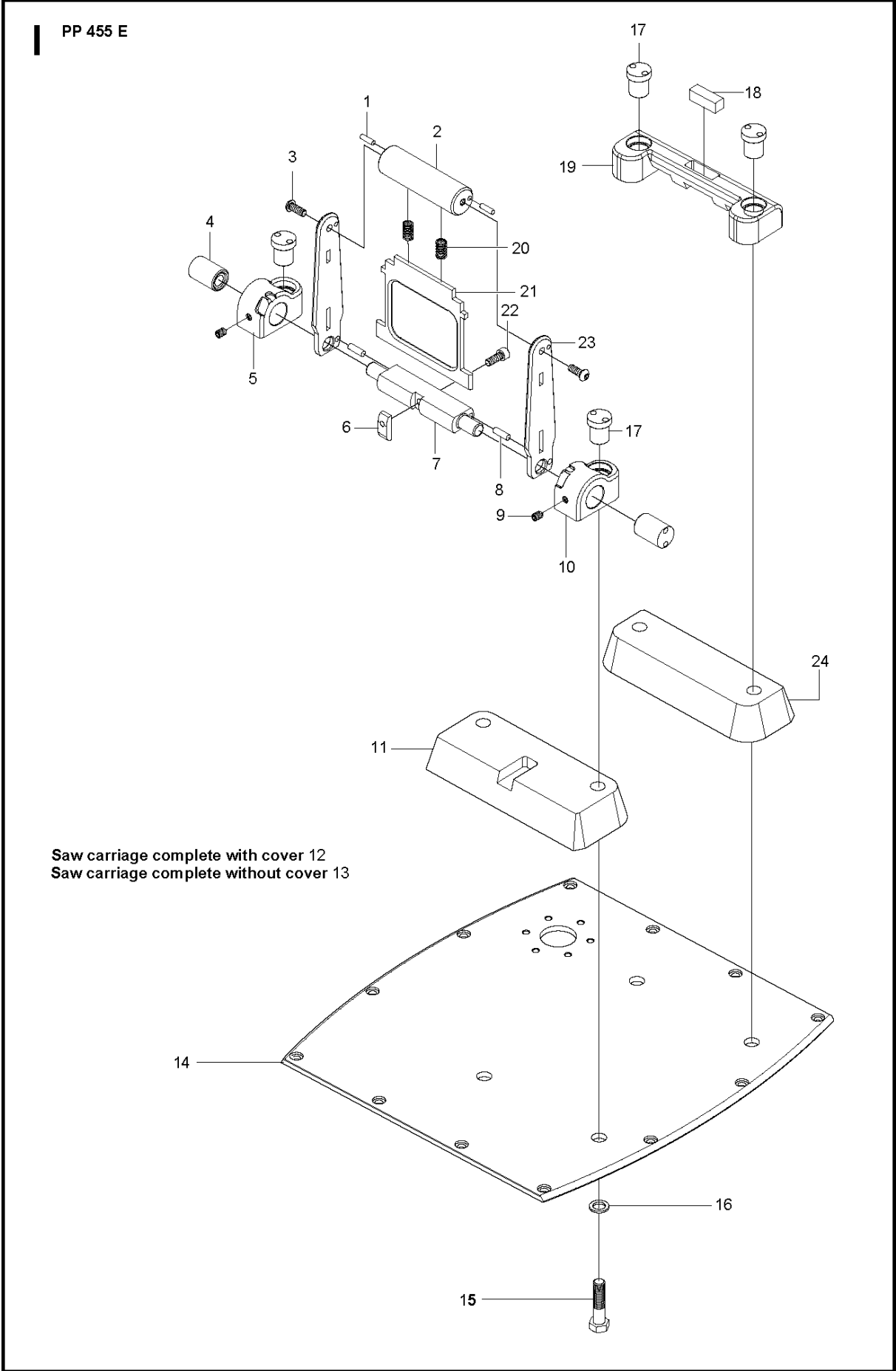
7

4

DECALS

PP 455 E, 2013-05

Ref	Part No	Description	Remark	QTY KIT
1	531 14 20-71	LABEL		1
2	531 14 12-34	LABEL		1
3	531 14 12-11	DECAL		1
4	504 02 99-05	LABEL		1
5	531 14 12-05	LABEL		1
6	531 14 11-91	SIGN		1
7	531 14 20-86	LABEL		1
8	504 00 37-01	TYPE PLATE		1



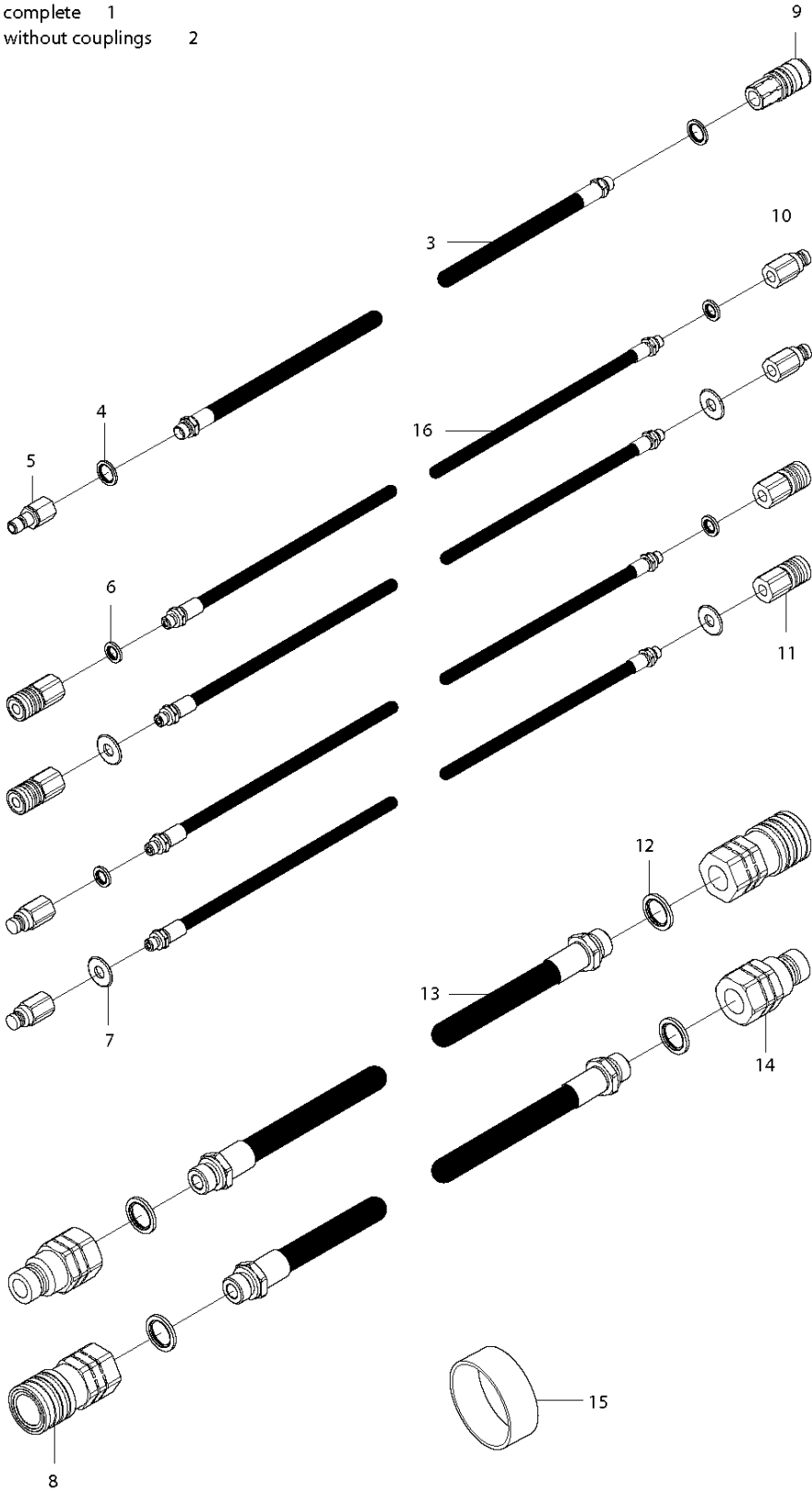
ATTACHMENTS

PP 455 E, 2013-05

Ref	Part No	Description	Remark	QTY KIT
1	720 12 71-50	PARALLEL PIN		2
2	531 12 30-09	HANDLE		1
3	531 11 94-26	SCREW		2
4	576 21 49-01	BUSHING		2
5	531 12 30-04	HOLDER		1
6	531 12 30-13	COTTER		1
7	531 12 30-11	SHAFT		1
8	720 13 08-50	PARALLEL PIN		2
9	728 73 64-05	SCREW IHSETM		2
10	531 12 30-03	HOLDER		1
11	504 73 80-01	SPACING BLOCK		1
12	531 11 51-88	COVER	Saw carriage complete with cover	1
13	531 11 52-37	BRACKET	Saw carriage complete without cover	1
14	501 36 93-01	TANK CAP		1
15	725 25 42-51	SCREW EHHM		4
16	740 38 27-01	SEALING WASHER		4
17	531 12 30-18	NUT		4
18	531 11 94-53	BLOCK		1
19	531 12 30-02	SOCKET		1
20	531 11 94-54	SPRING		2
21	531 12 30-12	HANDLE		1
22	725 53 68-01	SCREW IHSCM		1
23	531 12 30-10	BAR		2
24	504 73 81-01	SPACING BLOCK		1

J PP 455 E

- Hose set complete 1
- Hose set without couplings 2



HOSE

PP 455 E, 2013-05

Ref	Part No	Description	Remark	QTY KIT
1	531 11 51-90	HOSE	Hose set complete	1
2	531 11 83-23	HOSE KIT	Hose set complete couplings	1
3	531 12 22-52	HOSE		1
4	740 38 27-01	SEALING WASHER		2
5	531 11 82-18	QUICK COUPLING		1
6	740 38 18-01	SEALING WASHER		4
7	531 12 31-00	WASHER		4
8	531 11 80-41	HYDRAULIC CYLINDER		2
9	531 11 82-19	QUICK COUPLING		1
10	531 11 80-46	HYDRAULIC CYLINDER		4
11	531 11 80-45	HYDRAULIC CYLINDER		4
12	531 11 91-85	SEALING RING		4
13	531 11 83-36	HYDRAULIC HOSE		2
14	531 11 80-42	HYDRAULIC CYLINDER		2
15	531 11 82-47	BAND		14
16	531 11 81-65	HYDRAULIC HOSE		4